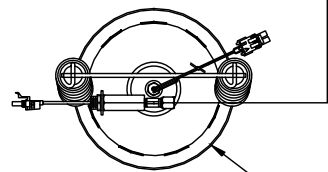


ORIENTATION
 ← FRONT

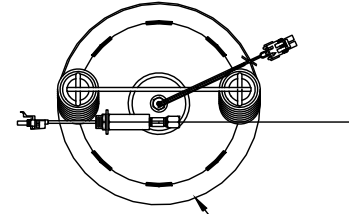
Ⓐ

Ⓑ

Ⓒ

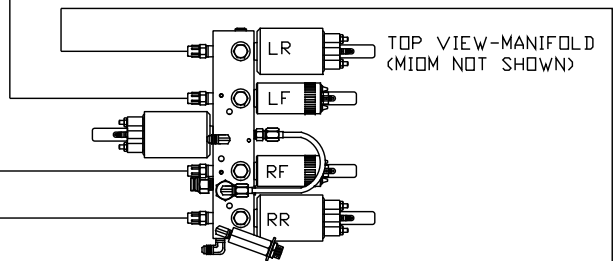


TOP VIEW
 AP55045
 RIGHT FRONT

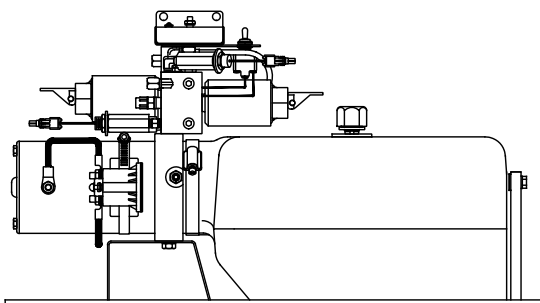


TOP VIEW
 AP53815
 RIGHT REAR

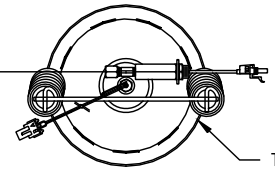
- Ⓐ HOSE ASSY 04
- Ⓑ HOSE ASSY 04
- Ⓒ HOSE ASSY 04
- Ⓓ HOSE ASSY 04



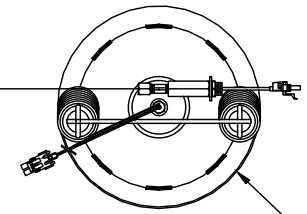
TOP VIEW-MANIFOLD
 (MIDM NOT SHOWN)



SIDE VIEW PUMP / MANIFOLD-AP55799



TOP VIEW
 AP55045
 LEFT FRONT



TOP VIEW
 AP53815
 LEFT REAR

NOTE: INSTALLATION MUST CONFORM TO GOOD SHOP PRACTICES, SAE STANDARDS, RVIA STANDARDS, AND OTHER APPLICABLE STANDARDS.

NO.	DATE	REVISION

HWH I-80 EXIT 267 SOUTH
 RT 1 MOSCOW, IOWA 52760
 SCALE 1:6 DATE 03AUG16 DRAWN BY .

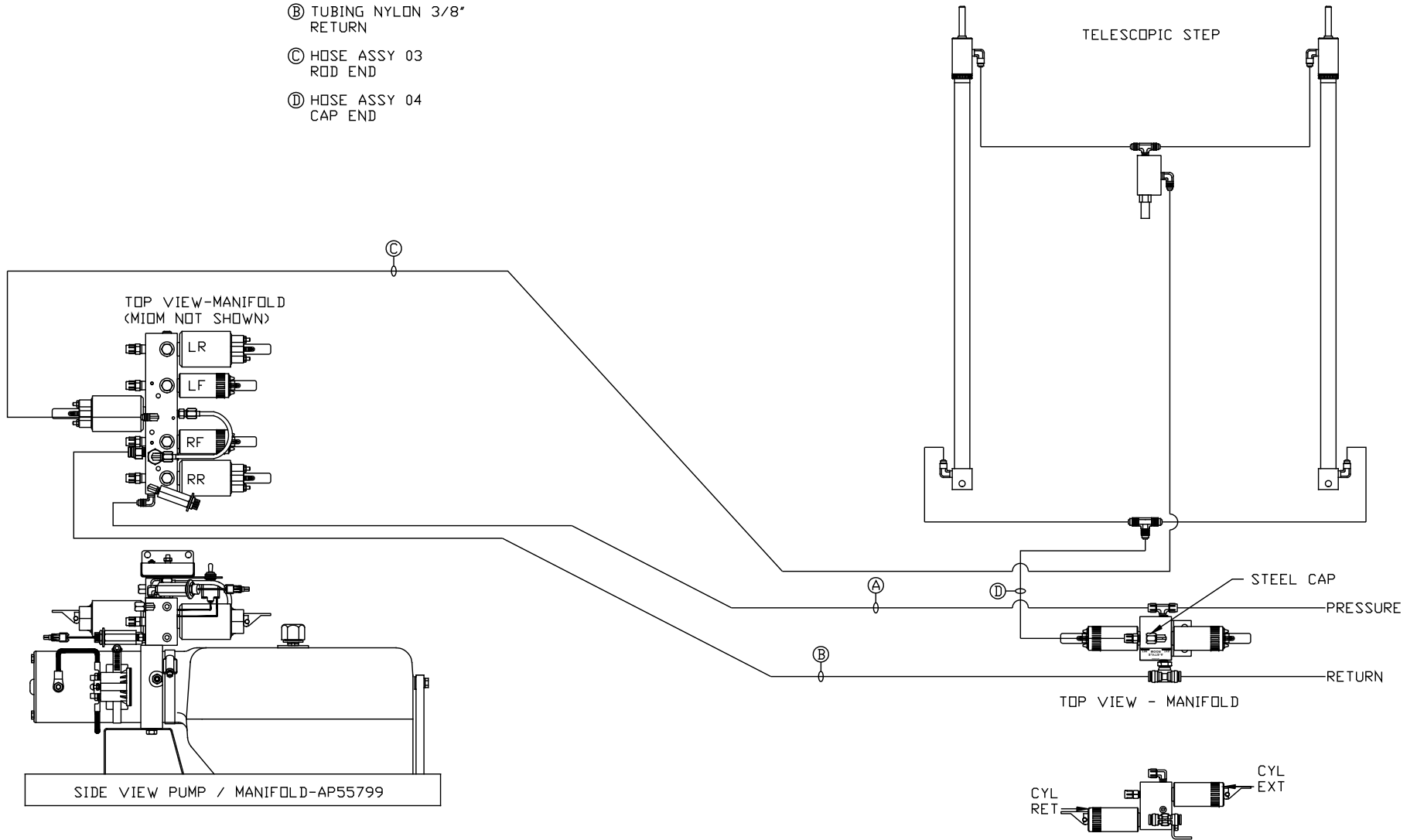
HYD CONN DIAGRAM

THE INFORMATION DISCLOSED ON THIS DRAWING IS CONFIDENTIAL AND MUST NOT BE DISCLOSED OR USED IN ANY MANNER WHICH WILL BE DETRIMENTAL TO THE HWH CORPORATION

WINNEBAGO

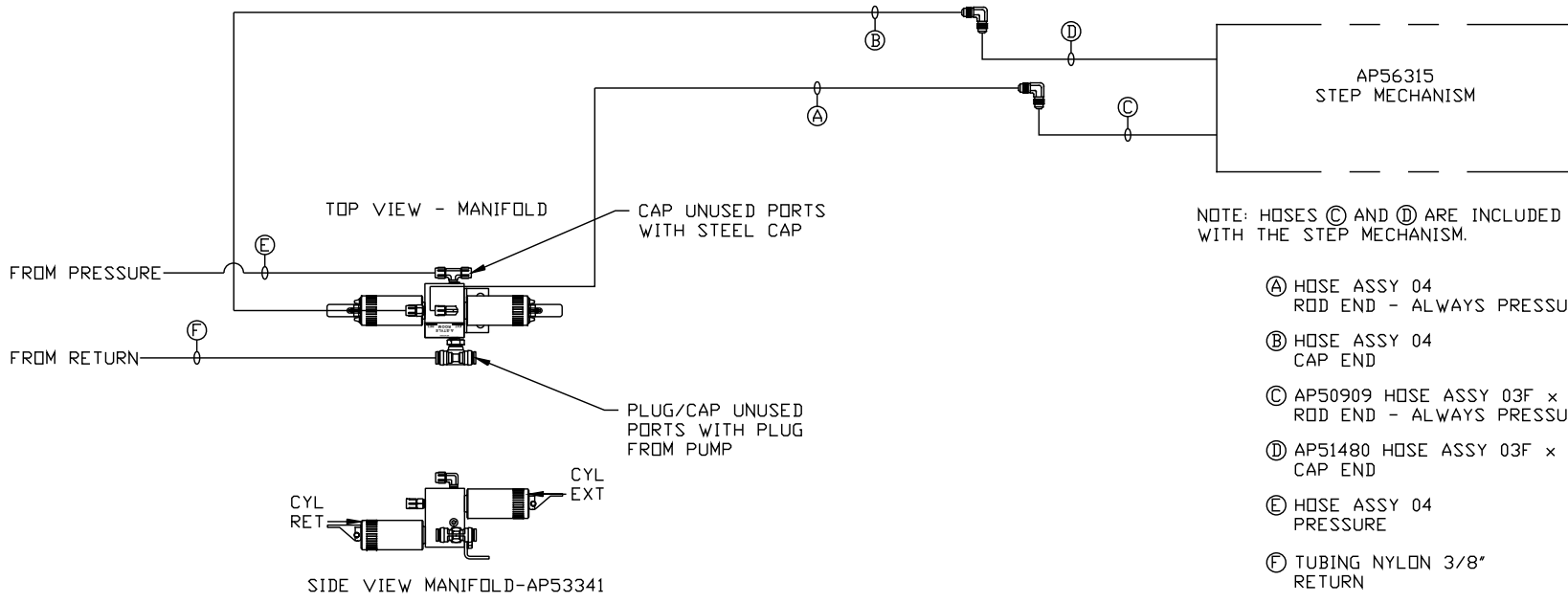
DRAWING NUMBER
 MP71015 A/C

- Ⓐ HOSE ASSY 04
PRESSURE
- Ⓑ TUBING NYLON 3/8"
RETURN
- Ⓒ HOSE ASSY 03
ROD END
- Ⓓ HOSE ASSY 04
CAP END



NOTE: INSTALLATION MUST CONFORM TO GOOD SHOP PRACTICES, SAE STANDARDS, RVIA STANDARDS, AND OTHER APPLICABLE STANDARDS.

MP71015 B/C
03AUG16



NOTE: INSTALLATION MUST CONFORM TO GOOD SHOP PRACTICES, SAE STANDARDS, RVIA STANDARDS, AND OTHER APPLICABLE STANDARDS.

MP71015 C/C
03AUG16