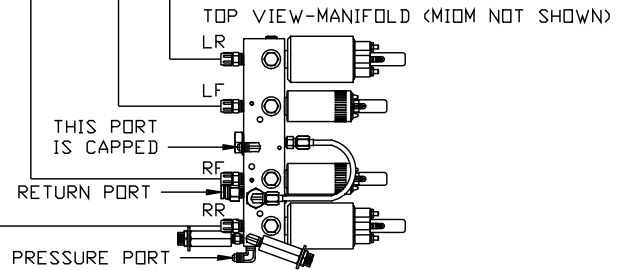
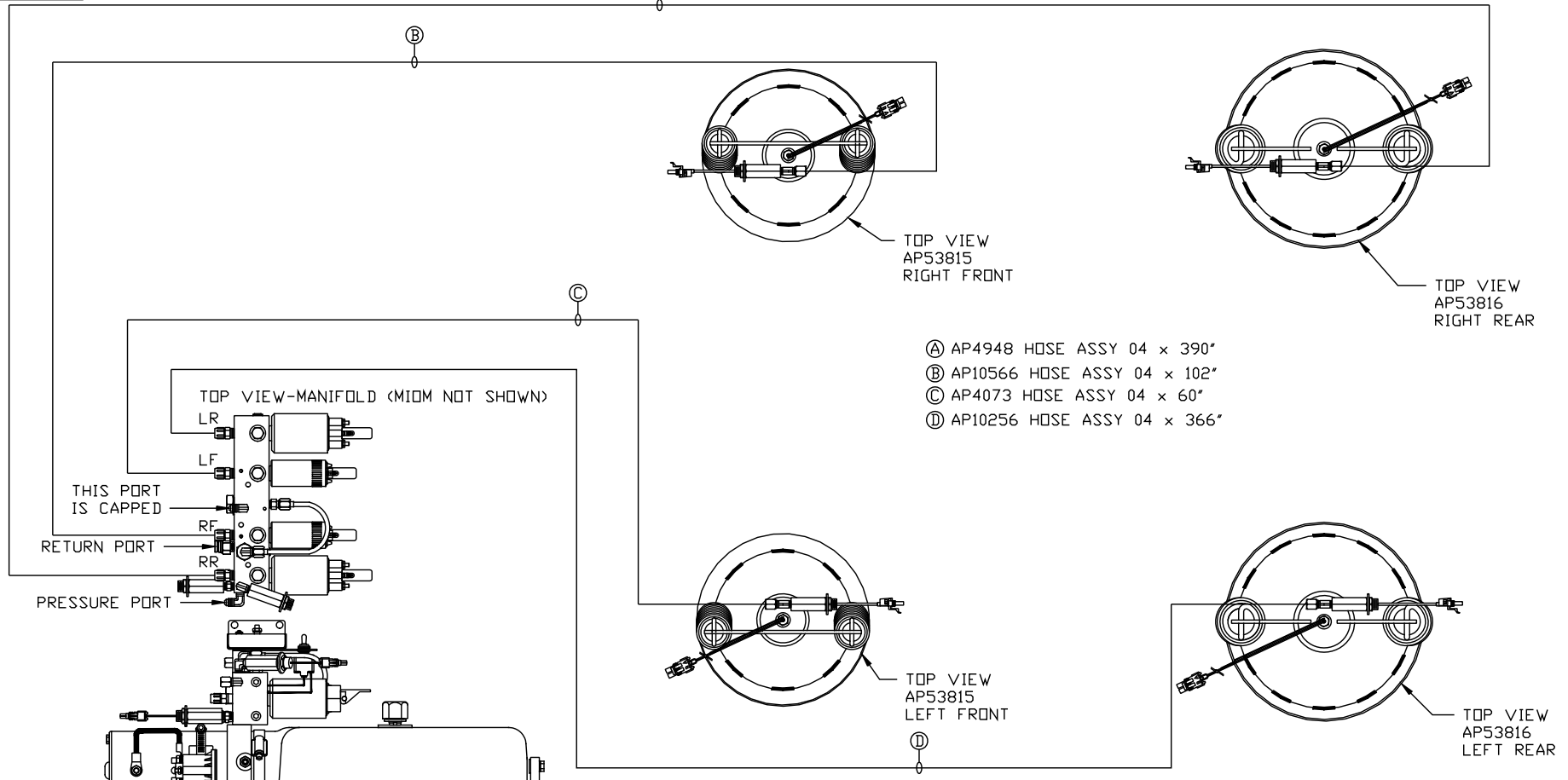


ORIENTATION  
 ← FRONT



SIDE VIEW PWR/CONTROL - AP55799-01

LOCATION AND ORIENTATION OF PUMP/MANIFOLD ASSEMBLY WILL DIFFER DEPENDING UPON O.E.M.

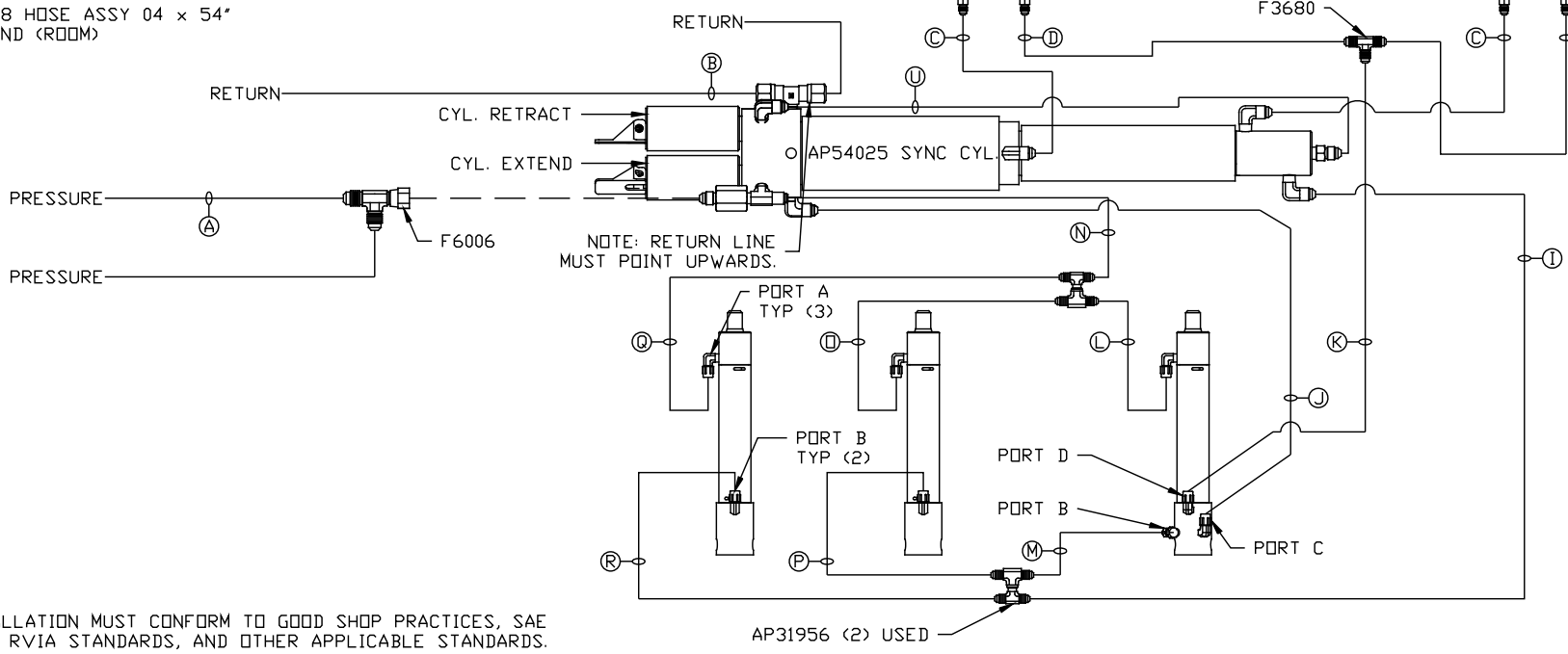
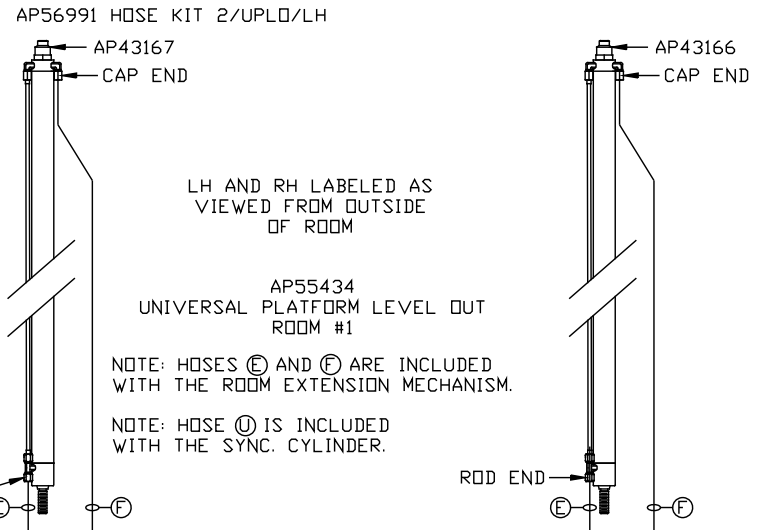
NOTE: INSTALLATION MUST CONFORM TO GOOD SHOP PRACTICES, SAE STANDARDS, RVIA STANDARDS, AND OTHER APPLICABLE STANDARDS.

- Ⓐ AP4948 HOSE ASSY 04 x 390"
- Ⓑ AP10566 HOSE ASSY 04 x 102"
- Ⓒ AP4073 HOSE ASSY 04 x 60"
- Ⓓ AP10256 HOSE ASSY 04 x 366"

		HWH		I-80 EXIT 267 SOUTH RT 1 MOSCOW, IOWA 52760	
		SCALE 1:6	DATE 11AUG16	DRAWN BY .	
⚠	24JAN17	UPDATED HOSE			
NO.	DATE	REVISION			
HYD CONN DIAGRAM					
WINNEBAGO				DRAWING NUMBER MP71018 A/C	
THE INFORMATION DISCLOSED ON THIS DRAWING IS CONFIDENTIAL AND MUST NOT BE DISCLOSED OR USED IN ANY MANNER WHICH WILL BE DETRIMENTAL TO THE HWH CORPORATION					

- ⚠ (A) AP4728 HOSE ASSY 04 x 54"  
WAS AP4059 HOSE ASSY 04 x 36"  
PRESSURE
- (B) P5254 .375" OD x 96" NYLON TUBING  
RETURN
- (C) AP14173 HOSE ASSY 03 x 174"  
ROD END - ALWAYS PRESSURIZED - MUST  
MAINTAIN EQUAL LENGTH AND DIAMETER
- (D) AP53964 HOSE ASSY 04 x 114"  
CAP END - MUST MAINTAIN EQUAL LENGTH  
AND DIAMETER
- (E) AP24632 HOSE ASSY HWH02HP x 48"  
ROD END - ALWAYS PRESSURIZED - MUST  
MAINTAIN EQUAL LENGTH AND DIAMETER
- (F) AP24818 HOSE ASSY HWH02HP x 86"  
CAP END - MUST MAINTAIN EQUAL LENGTH  
AND DIAMETER
- (I) AP4073 HOSE ASSY 04 x 60"  
CAP END (LIFT)
- (J) AP50907 HOSE ASSY 03 x 48"  
CAP END (ROOM)
- (K) AP4728 HOSE ASSY 04 x 54"  
CAP END (ROOM)

- (L) AP52163 HOSE ASSY 03 x 42" ROD END (LIFT)  
ALWAYS PRESSURIZED
- (M) AP4217 HOSE ASSY 04 x 30"  
CAP END (LIFT)
- (N) AP50671 HOSE ASSY 03 x 84"  
ROD END - ALWAYS  
PRESSURIZED (LIFT)
- (O) AP50909 HOSE ASSY 03 x 72" ROD END (LIFT)  
ALWAYS PRESSURIZED
- (P) AP5351 HOSE ASSY 04 x 66"  
CAP END LIFT
- (Q) AP53975 HOSE ASSY 03 x 126" ROD END (LIFT)  
ALWAYS PRESSURIZED
- (R) AP4161 HOSE ASSY 04 x 120"  
CAP END LIFT



NOTE: INSTALLATION MUST CONFORM TO GOOD SHOP PRACTICES, SAE STANDARDS, RVIA STANDARDS, AND OTHER APPLICABLE STANDARDS.