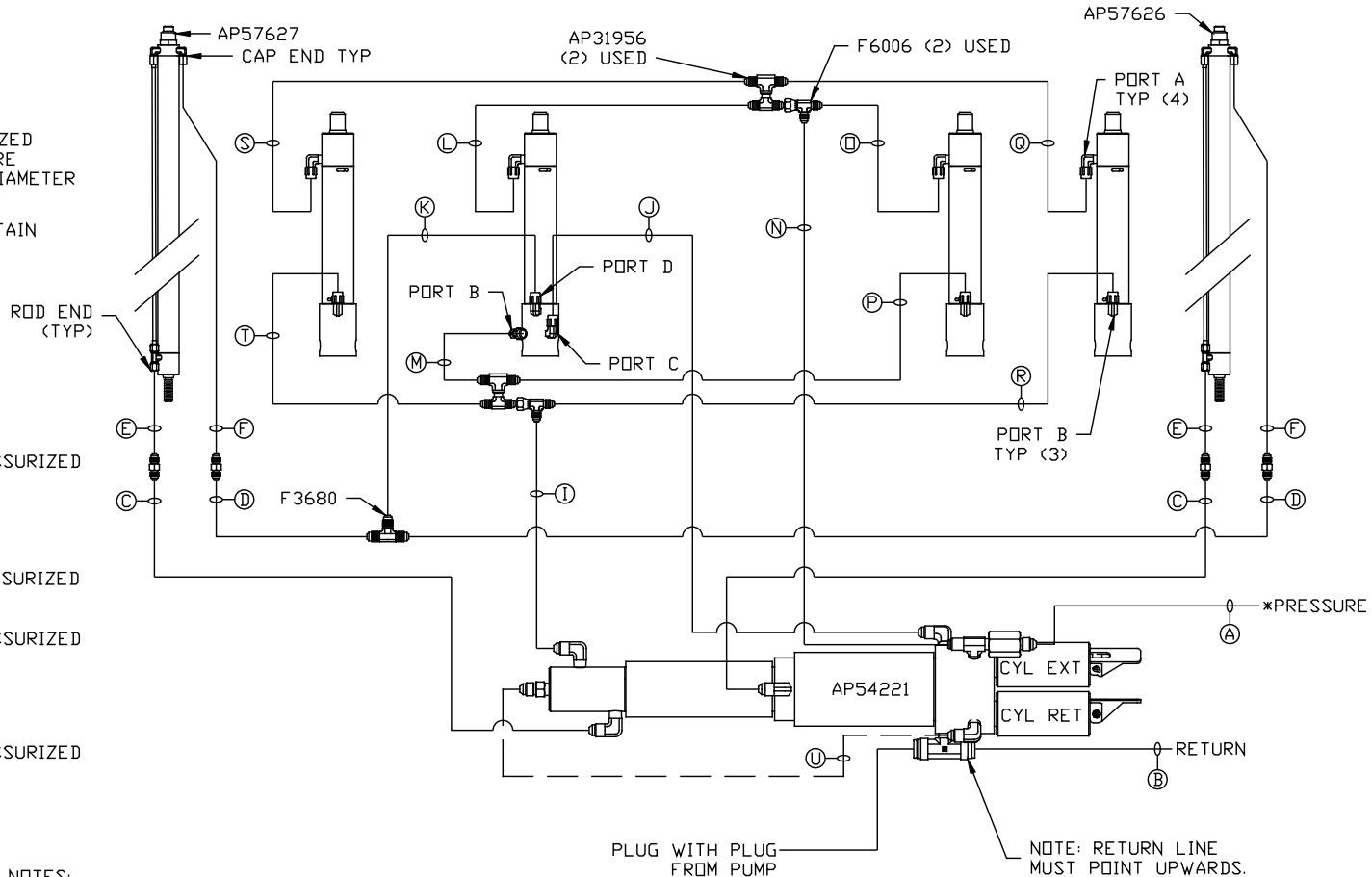


- Ⓐ HOSE ASSY 04  
PRESSURE
- Ⓑ .375" OD NYLON TUBING  
RETURN
- Ⓒ HOSE ASSY 03  
ROD END - ALWAYS PRESSURIZED  
HOSES MUST BE HIGH PRESSURE  
AND OF EQUAL LENGTH AND DIAMETER
- Ⓓ HOSE ASSY 04  
CAP END - HOSES MUST MAINTAIN  
EQUAL LENGTH AND DIAMETER
- Ⓛ AP HOSE ASSY 04  
CAP END (LIFT) WAS AP4060
- Ⓜ HOSE ASSY 04  
CAP END (ROOM)
- Ⓚ HOSE ASSY 03  
CAP END (ROOM)
- Ⓛ HOSE ASSY 03  
ROD END (LIFT) ALWAYS PRESSURIZED
- Ⓜ HOSE ASSY 04  
CAP END (LIFT)
- Ⓝ HOSE ASSY 03  
ROD END (LIFT) ALWAYS PRESSURIZED
- Ⓟ HOSE ASSY 04  
CAP END (LIFT)
- Ⓠ HOSE ASSY 03  
ROD END (LIFT) ALWAYS PRESSURIZED
- Ⓡ HOSE ASSY 04  
CAP END (LIFT)
- Ⓢ HOSE ASSY 03  
ROD END (LIFT)  
ALWAYS PRESSURIZED
- Ⓣ HOSE ASSY 04  
CAP END (LIFT)

NOTES:

FOR CONNECTION CLARITY ONLY THE CYLINDERS ARE SHOWN.

HOSE Ⓣ IS INCLUDED WITH THE SYNC. CYLINDER.



AP57628  
ROOM KIT

\*NOTE: ISOLATED PRESSURE IF AVAILABLE, SEE LEVELING SYSTEM DIAGRAM

NOTE: INSTALLATION MUST CONFORM TO GOOD SHOP PRACTICES, SAE STANDARDS, RVIA STANDARDS, AND OTHER APPLICABLE STANDARDS.

			<b>HWH</b>	I-80 EXIT 267 SOUTH RT 1 MOSCOW, IOWA 52760
			SCALE 1:6	DATE 04FEB20
			DRAWN BY .	
NO.	DATE	REVISION	HYD CONN DIAGRAM	
THE INFORMATION DISCLOSED ON THIS DRAWING IS CONFIDENTIAL AND MUST NOT BE DISCLOSED OR USED IN ANY MANNER WHICH WILL BE DETRIMENTAL TO THE HWH CORPORATION			NEWMAR	DRAWING NUMBER MP71262