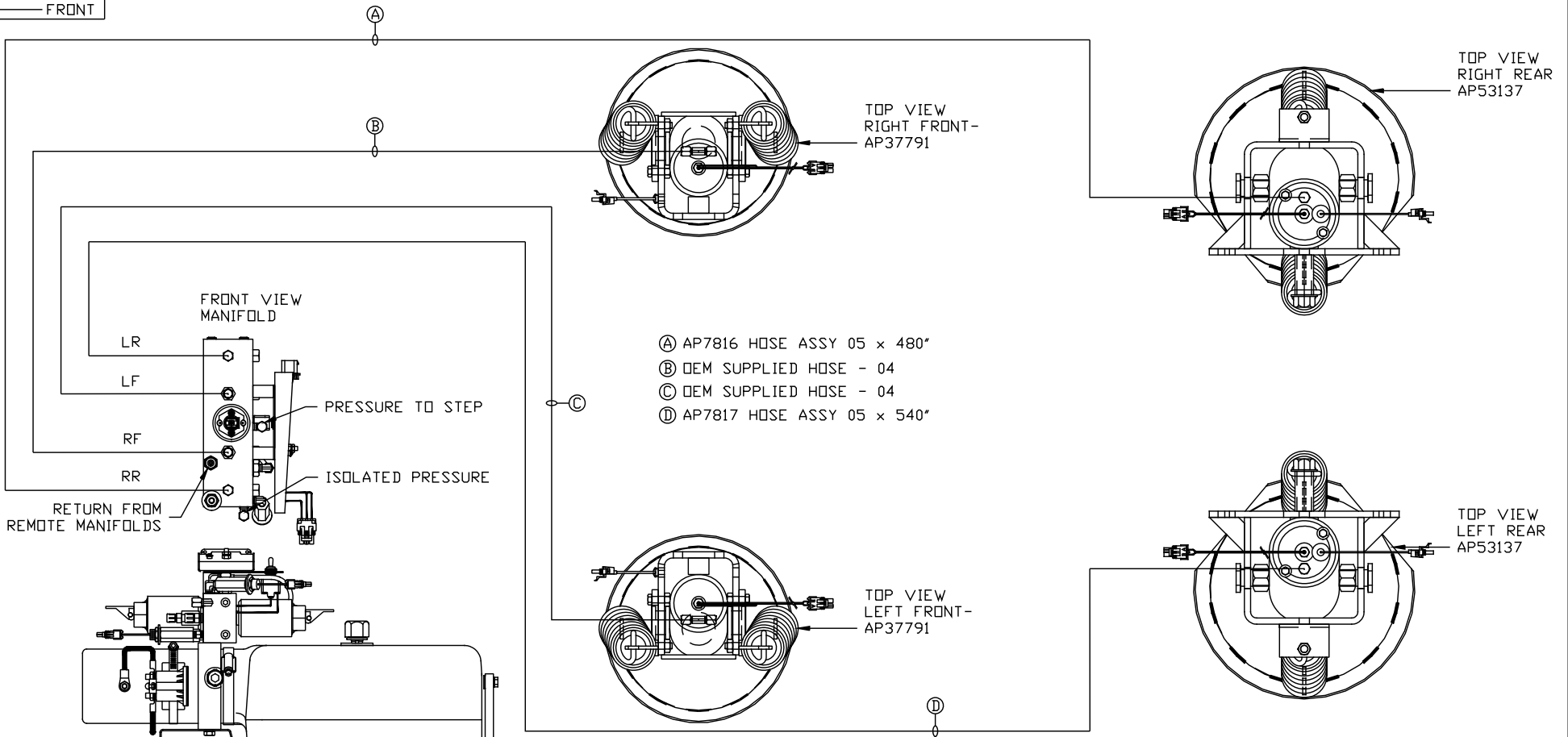
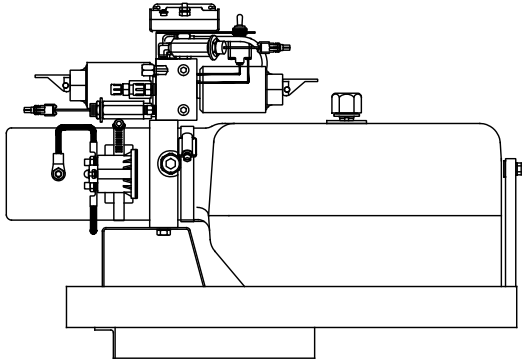
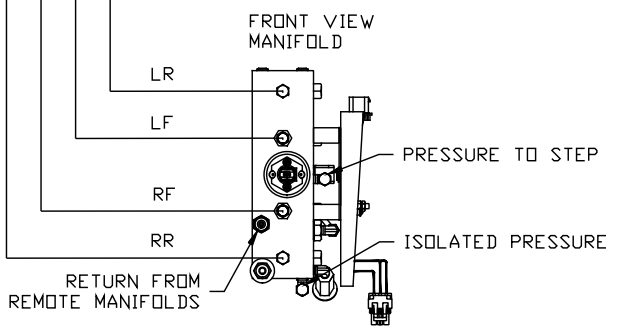


ORIENTATION
← FRONT



- Ⓐ AP7816 HOSE ASSY 05 x 480"
- Ⓑ OEM SUPPLIED HOSE - 04
- Ⓒ OEM SUPPLIED HOSE - 04
- Ⓓ AP7817 HOSE ASSY 05 x 540"



LOCATION AND ORIENTATION OF PUMP/MANIFOLD ASSEMBLY WILL DIFFER DEPENDING UPON O.E.M.

NOTE: INSTALLATION MUST CONFORM TO GOOD SHOP PRACTICES, SAE STANDARDS, RVIA STANDARDS, AND OTHER APPLICABLE STANDARDS.

LEVELING SYSTEM: AP58681

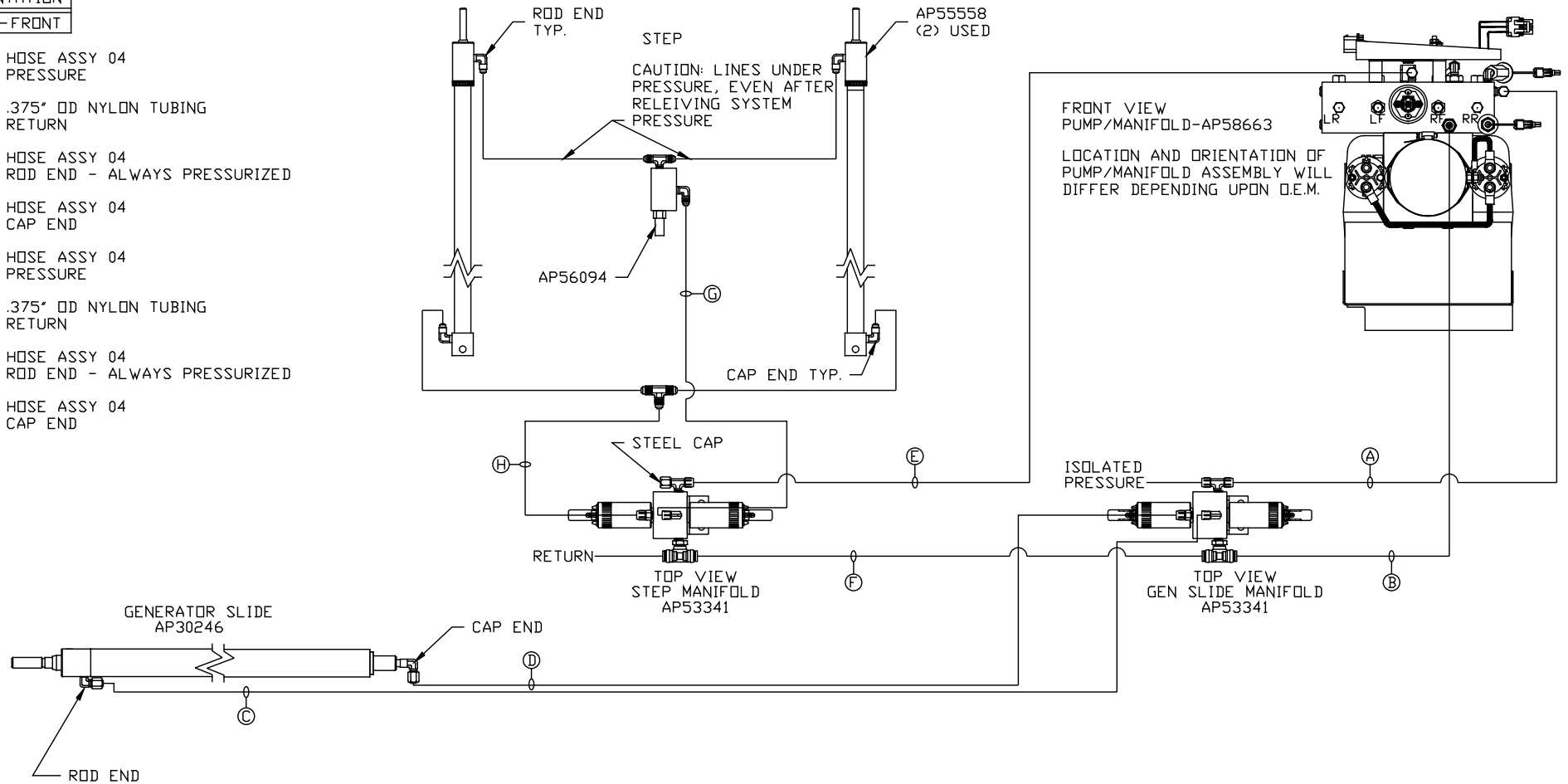
NO.	DATE	REVISION
THE INFORMATION DISCLOSED ON THIS DRAWING IS CONFIDENTIAL AND MUST NOT BE DISCLOSED OR USED IN ANY MANNER WHICH WILL BE DETRIMENTAL TO THE HWH CORPORATION		

HWH		I-80 EXIT 267 SOUTH RT 1 MOSCOW, IOWA 52760	
SCALE 1:6	DATE 07FEB20	DRAWN BY .	
HYD CONN DIAGRAM			
NEWMAR		DRAWING NUMBER MP71274 A/B	

ORIENTATION

← FRONT

- Ⓐ HOSE ASSY 04
PRESSURE
- Ⓑ .375" OD NYLON TUBING
RETURN
- Ⓒ HOSE ASSY 04
ROD END - ALWAYS PRESSURIZED
- Ⓓ HOSE ASSY 04
CAP END
- Ⓔ HOSE ASSY 04
PRESSURE
- Ⓕ .375" OD NYLON TUBING
RETURN
- Ⓖ HOSE ASSY 04
ROD END - ALWAYS PRESSURIZED
- Ⓗ HOSE ASSY 04
CAP END



NOTE: INSTALLATION MUST CONFORM TO GOOD SHOP PRACTICES, SAE STANDARDS, RVIA STANDARDS, AND OTHER APPLICABLE STANDARDS.

MP71274 B/B
07FEB20