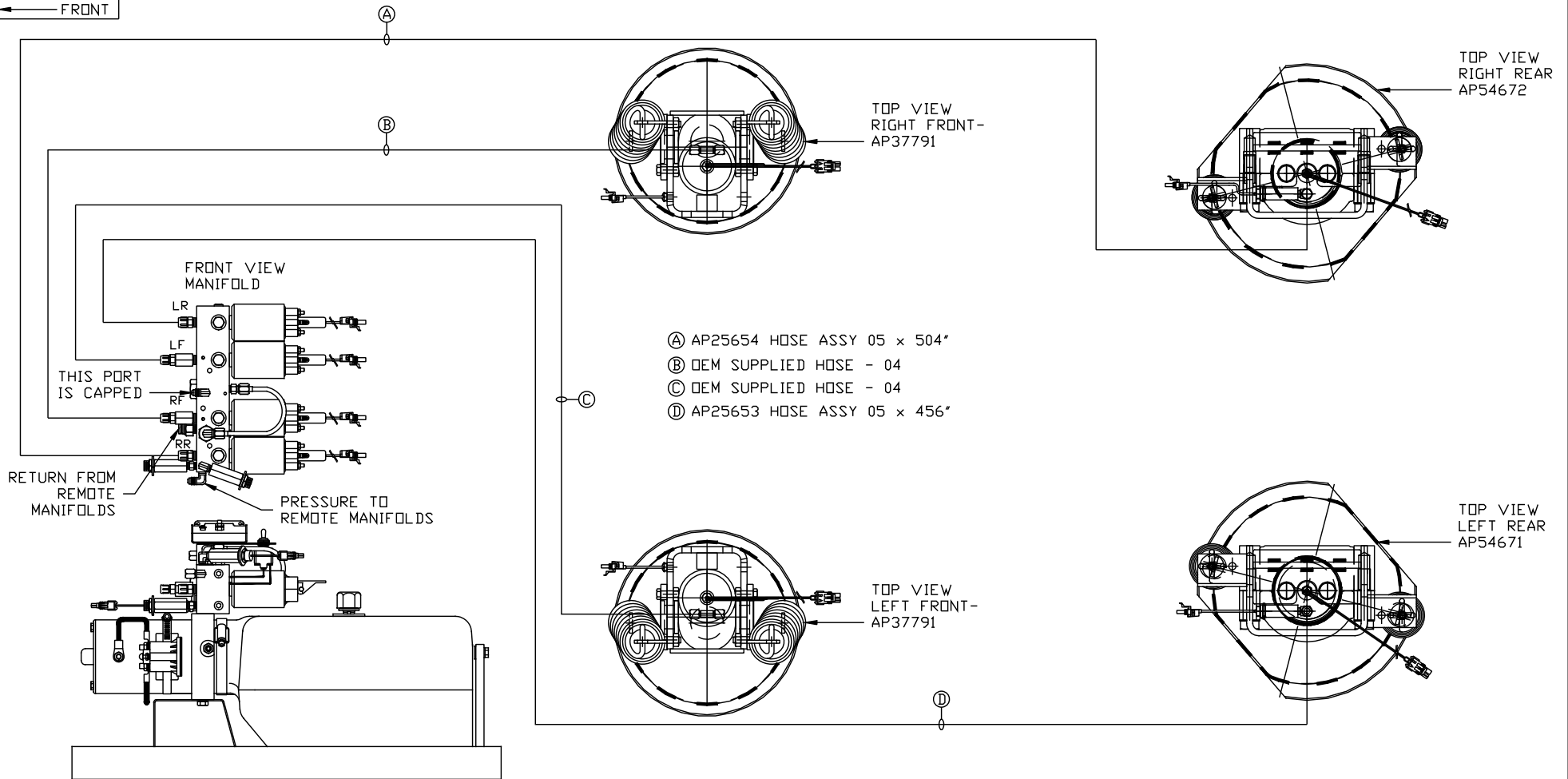
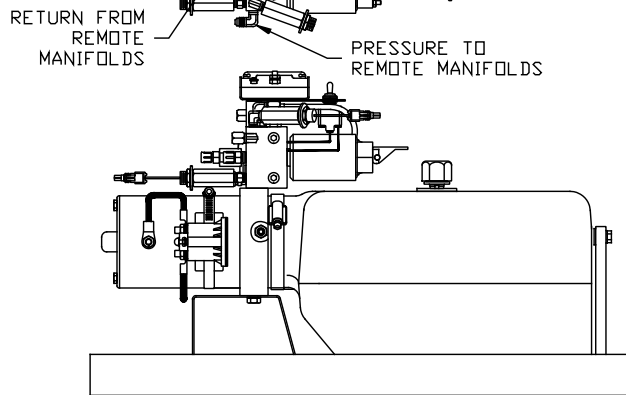


ORIENTATION

← FRONT



- Ⓐ AP25654 HOSE ASSY 05 x 504"
- Ⓑ OEM SUPPLIED HOSE - 04
- Ⓒ OEM SUPPLIED HOSE - 04
- Ⓓ AP25653 HOSE ASSY 05 x 456"



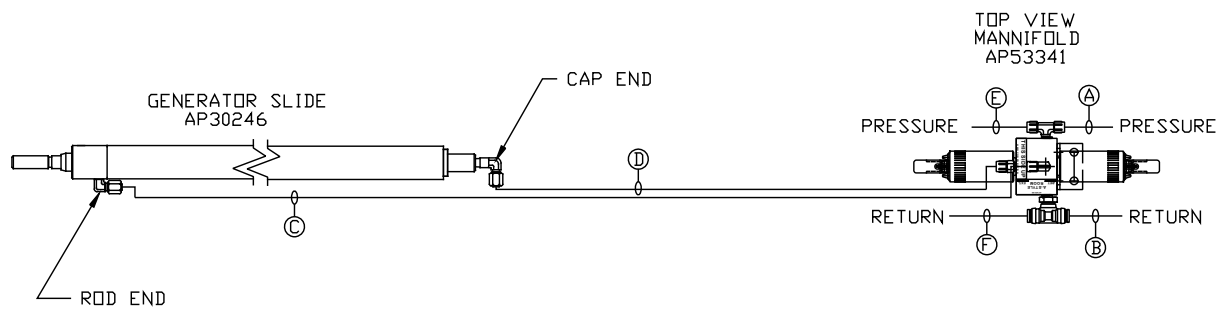
SIDE VIEW PUMP/MANIFOLD-AP58662-01

LOCATION AND ORIENTATION OF PUMP/MANIFOLD ASSEMBLY WILL DIFFER DEPENDING UPON O.E.M.

NOTE: INSTALLATION MUST CONFORM TO GOOD SHOP PRACTICES, SAE STANDARDS, RVIA STANDARDS, AND OTHER APPLICABLE STANDARDS.

LEVELING SYSTEM: AP58676

		HWH		I-80 EXIT 267 SOUTH RT 1 MOSCOW, IOWA 52760							
		SCALE 1:6	DATE 13FEB20	DRAWN BY .							
		HYD CONN DIAGRAM									
		NEWMAR		DRAWING NUMBER MP71275 A/B							
		<table border="1" style="width: 100%; border-collapse: collapse;"> <thead> <tr> <th style="width: 10%;">NO.</th> <th style="width: 15%;">DATE</th> <th style="width: 75%;">REVISION</th> </tr> </thead> <tbody> <tr> <td> </td> <td> </td> <td> </td> </tr> </tbody> </table>				NO.	DATE	REVISION			
NO.	DATE	REVISION									
<p style="font-size: small;">THE INFORMATION DISCLOSED ON THIS DRAWING IS CONFIDENTIAL AND MUST NOT BE DISCLOSED OR USED IN ANY MANNER WHICH WILL BE DETRIMENTAL TO THE HWH CORPORATION</p>											



- Ⓐ HOSE ASSY 04
PRESSURE
- Ⓑ .375" OD NYLON TUBING
RETURN
- Ⓒ HOSE ASSY 04
ROD END - ALWAYS PRESSURIZED
- Ⓓ HOSE ASSY 04
CAP END
- Ⓔ HOSE ASSY 04
PRESSURE
- Ⓕ .375" OD NYLON TUBING
RETURN

NOTE: INSTALLATION MUST CONFORM TO GOOD SHOP PRACTICES, SAE STANDARDS, RVIA STANDARDS, AND OTHER APPLICABLE STANDARDS.