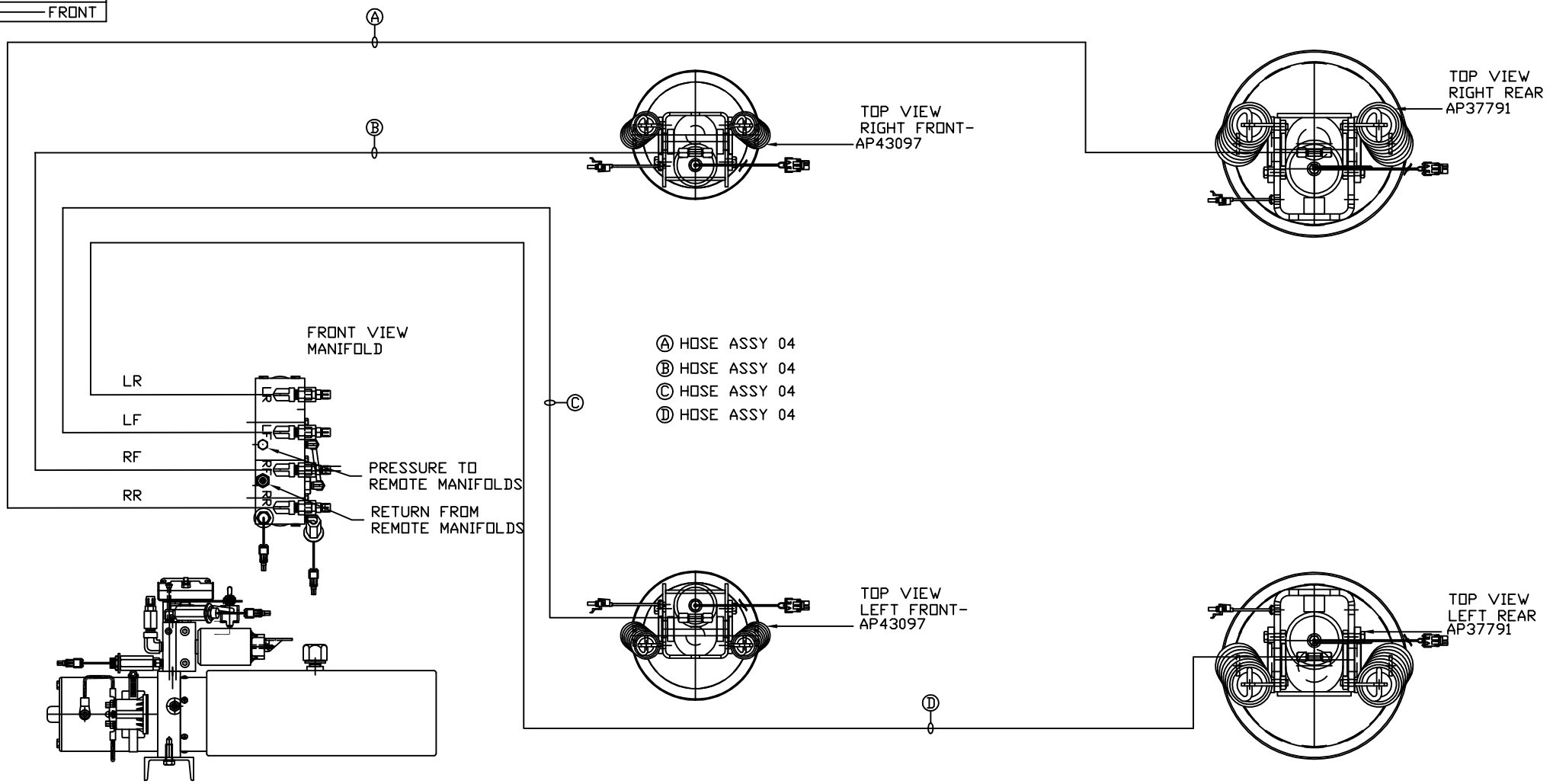


ORIENTATION  
← FRONT



SIDE VIEW PUMP/MANIFOLD-AP58661-01

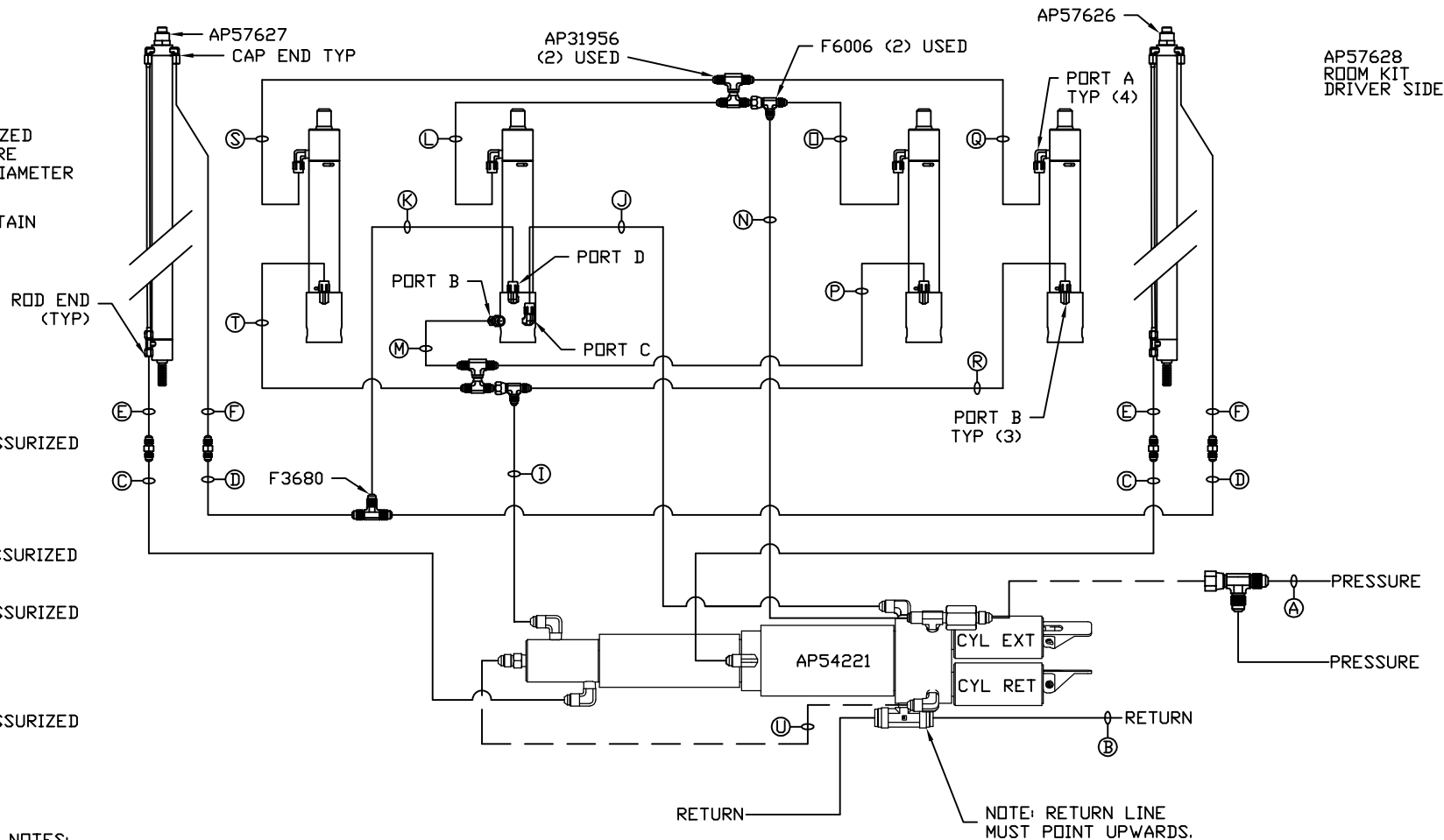
LOCATION AND ORIENTATION OF PUMP/MANIFOLD ASSEMBLY WILL DIFFER DEPENDING UPON O.E.M.

NOTE: INSTALLATION MUST CONFORM TO GOOD SHOP PRACTICES, SAE STANDARDS, RVIA STANDARDS, AND OTHER APPLICABLE STANDARDS.

PARTS LIST: PL62294

		HWH I-80 EXIT 267 SOUTH RT 1 MOSCOW, IOWA 52760	
SCALE 1:6	DATE 21JAN21	DRAWN BY .	
HYD CONN DIAGRAM			
NO.	DATE	REVISION	
THE INFORMATION DISCLOSED ON THIS DRAWING IS CONFIDENTIAL AND MUST NOT BE DISCLOSED OR USED IN ANY MANNER WHICH WILL BE DETRIMENTAL TO THE HWH CORPORATION		NEWMAR	DRAWING NUMBER MP71311 A/C

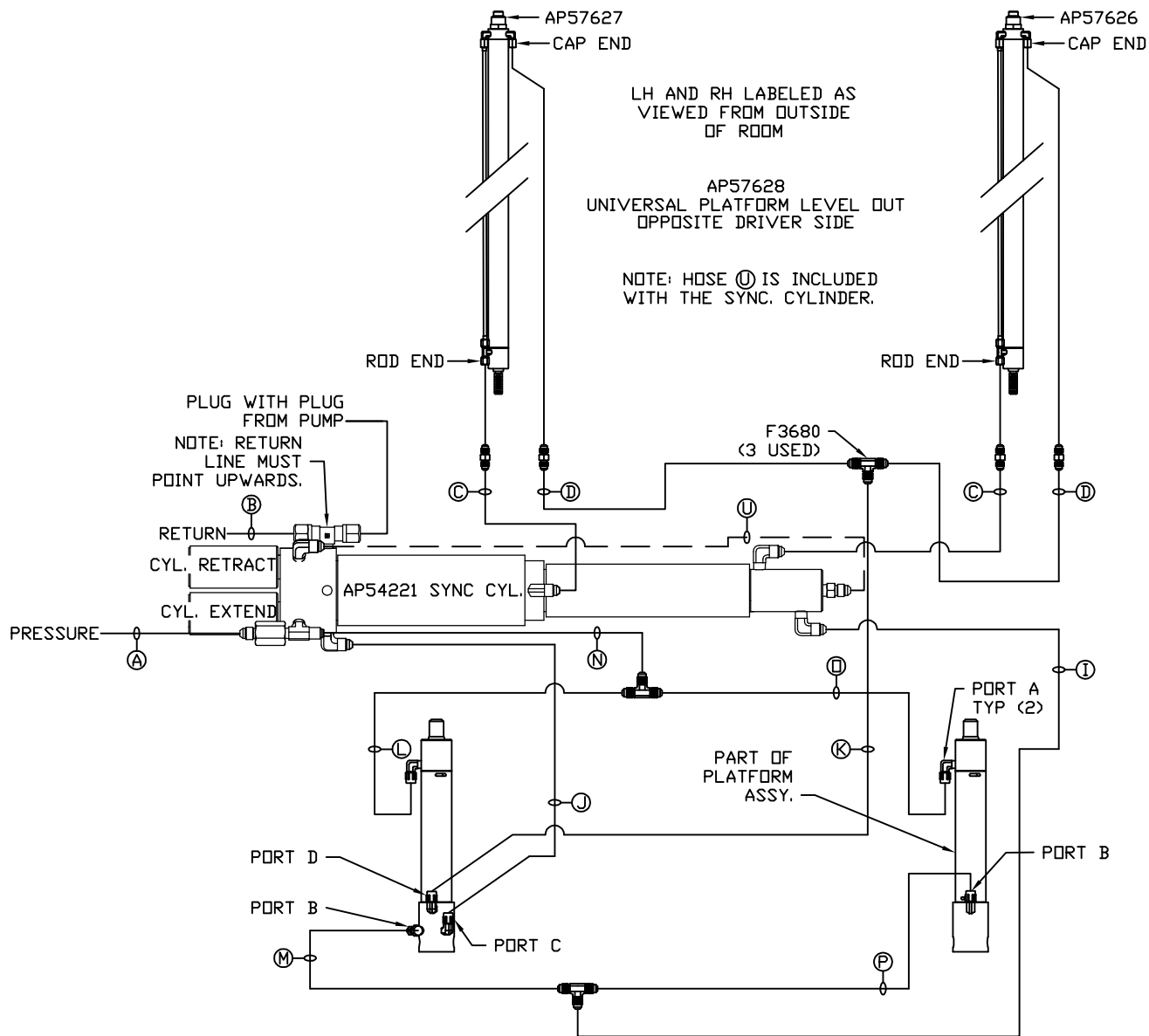
- Ⓐ HOSE ASSY 04  
PRESSURE
- Ⓑ .375" OD NYLON TUBING  
RETURN
- Ⓒ HOSE ASSY 03  
ROD END - ALWAYS PRESSURIZED  
HOSES MUST BE HIGH PRESSURE  
AND OF EQUAL LENGTH AND DIAMETER
- Ⓓ HOSE ASSY 04  
CAP END - HOSES MUST MAINTAIN  
EQUAL LENGTH AND DIAMETER
- Ⓚ AP HOSE ASSY 04  
CAP END (LIFT)
- Ⓛ HOSE ASSY 04  
CAP END (ROOM)
- Ⓜ HOSE ASSY 03  
CAP END (ROOM)
- Ⓝ HOSE ASSY 03  
ROD END (LIFT) ALWAYS PRESSURIZED
- Ⓞ HOSE ASSY 04  
CAP END (LIFT)
- Ⓟ HOSE ASSY 03  
ROD END (LIFT) ALWAYS PRESSURIZED
- Ⓠ HOSE ASSY  
ROD END (LIFT) ALWAYS PRESSURIZED
- Ⓡ HOSE ASSY 04  
CAP END (LIFT)
- Ⓢ HOSE ASSY 03  
ROD END (LIFT) ALWAYS PRESSURIZED
- Ⓣ HOSE ASSY 04  
CAP END (LIFT)



NOTES:  
 FOR CONNECTION CLARITY ONLY THE CYLINDERS ARE SHOWN.  
 HOSE Ⓣ IS INCLUDED WITH THE SYNC. CYLINDER.

NOTE: INSTALLATION MUST CONFORM TO GOOD SHOP PRACTICES, SAE STANDARDS, RVIA STANDARDS, AND OTHER APPLICABLE STANDARDS.

MP71311 B/C  
21JAN21



- Ⓐ HOSE ASSY 04  
PRESSURE
- Ⓑ .375" OD NYLON TUBING  
RETURN
- Ⓒ HOSE ASSY 03  
ROD END - ALWAYS PRESSURIZED - MUST  
BE HIGH PRESSURE HOSES OF EQUAL  
LENGTH AND DIAMETER
- Ⓓ HOSE ASSY 04  
CAP END - MUST MAINTAIN EQUAL LENGTH  
AND DIAMETER
- Ⓚ HOSE ASSY 04  
CAP END (LIFT)
- Ⓛ HOSE ASSY 03  
CAP END (ROOM)
- Ⓜ HOSE ASSY 03  
CAP END (ROOM)
- Ⓝ HOSE ASSY 03  
CAP END (ROOM)
- Ⓟ HOSE ASSY 03  
CAP END (ROOM)
- Ⓠ HOSE ASSY 03  
ROD END (LIFT) - ALWAYS PRESSURIZED
- Ⓡ HOSE ASSY 03  
CAP END (LIFT)
- Ⓢ HOSE ASSY 04  
ROD END - ALWAYS PRESSURIZED (LIFT)
- Ⓣ HOSE ASSY 03  
ROD END (LIFT) - ALWAYS PRESSURIZED
- Ⓟ HOSE ASSY 03  
CAP END LIFT
- Ⓠ STEEL TUBE  
CAP END (LIFT)

NOTE: INSTALLATION MUST CONFORM TO GOOD SHOP PRACTICES, SAE STANDARDS, RVIA STANDARDS, AND OTHER APPLICABLE STANDARDS.

MP71311 C/C  
21JAN21