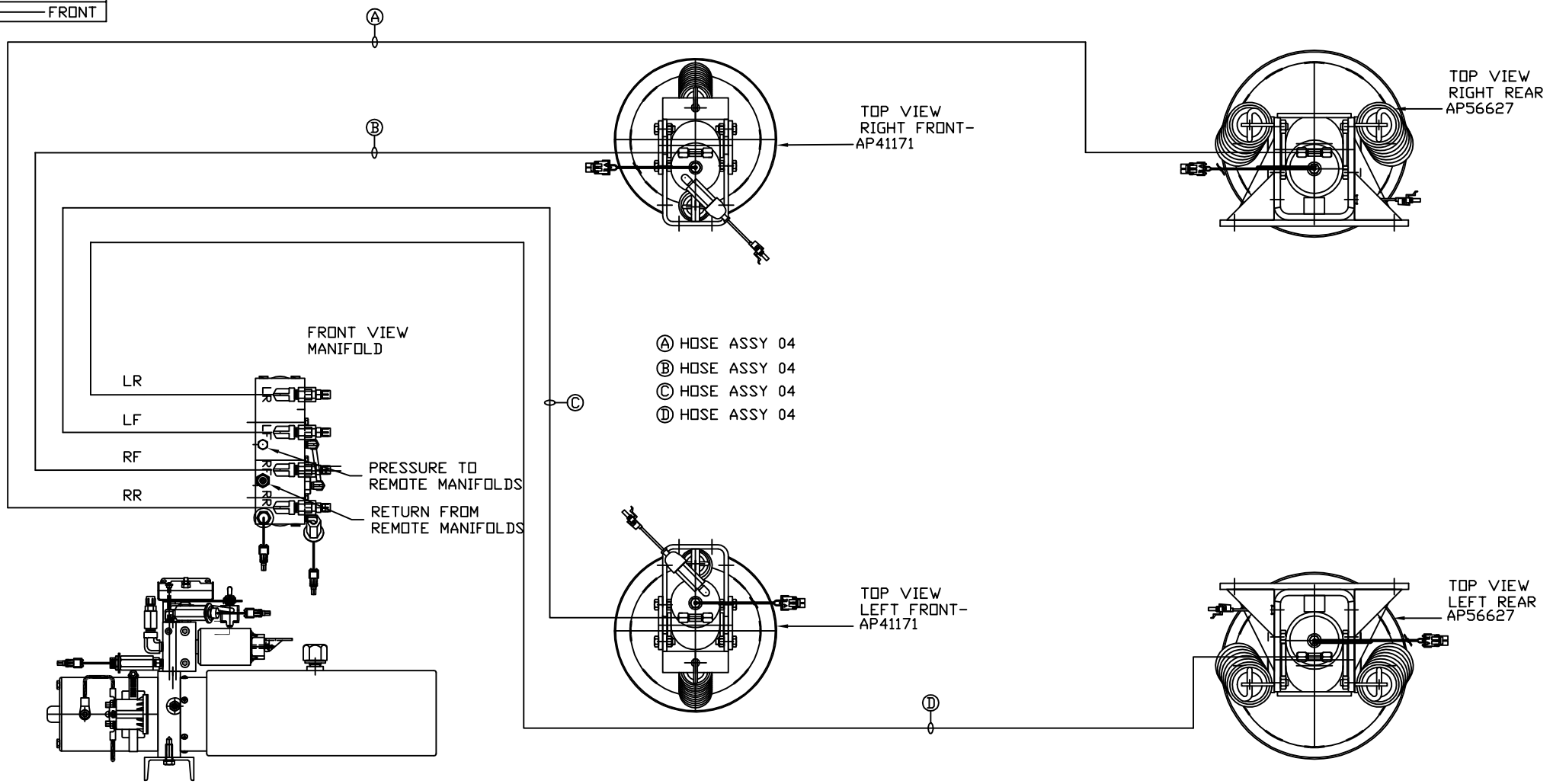


ORIENTATION
← FRONT



- Ⓐ HOSE ASSY 04
- Ⓑ HOSE ASSY 04
- Ⓒ HOSE ASSY 04
- Ⓓ HOSE ASSY 04

SIDE VIEW PUMP/MANIFOLD-AP58661-01

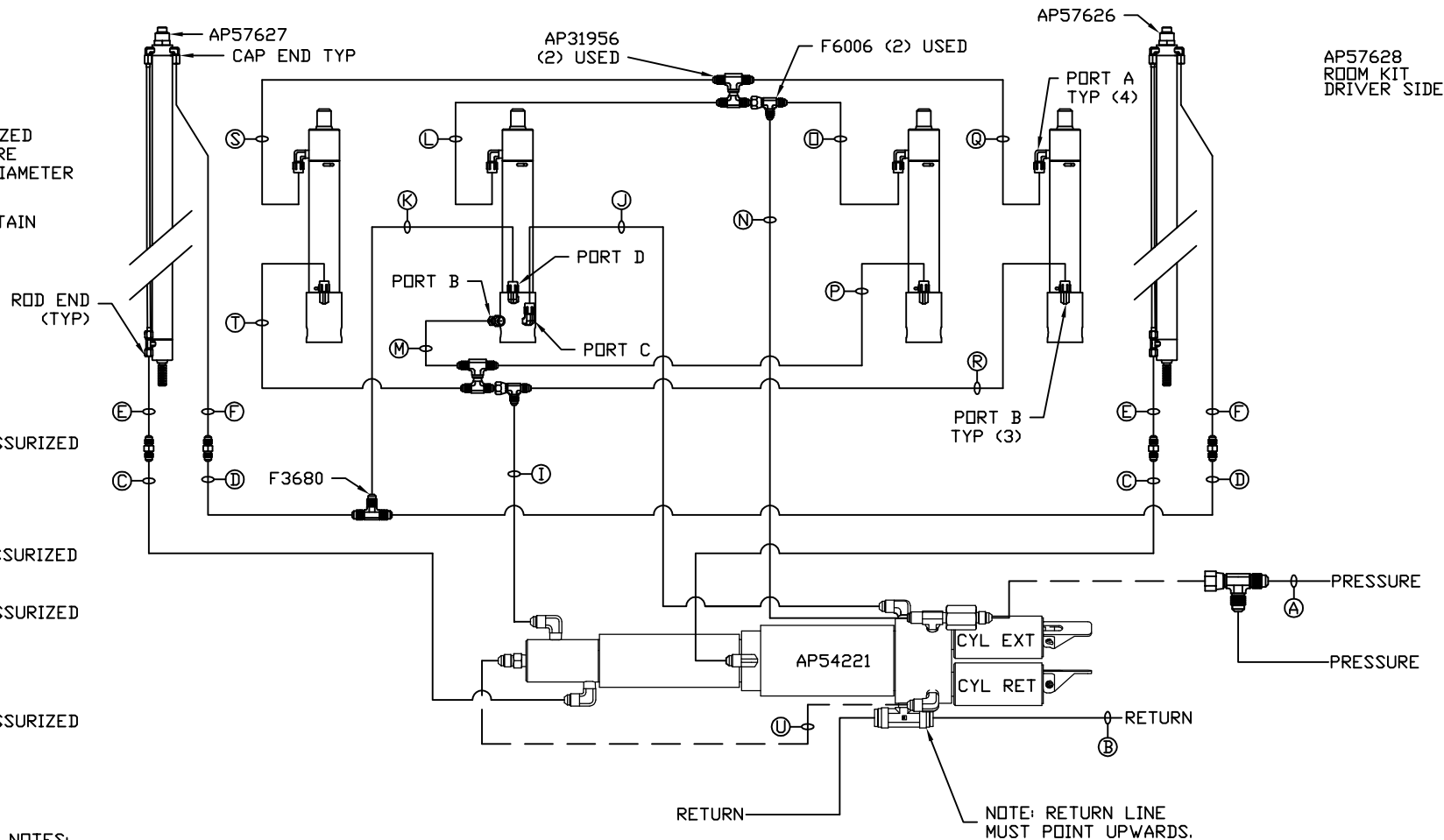
LOCATION AND ORIENTATION OF PUMP/MANIFOLD ASSEMBLY WILL DIFFER DEPENDING UPON O.E.M.

NOTE: INSTALLATION MUST CONFORM TO GOOD SHOP PRACTICES, SAE STANDARDS, RVIA STANDARDS, AND OTHER APPLICABLE STANDARDS.

PARTS LIST: PL62295

		HWH I-80 EXIT 267 SOUTH RT 1 MOSCOW, IOWA 52760	
		SCALE 1:6	DATE 21JAN21
		DRAWN BY .	
		HYD CONN DIAGRAM	
NO.	DATE	REVISION	
		THE INFORMATION DISCLOSED ON THIS DRAWING IS CONFIDENTIAL AND MUST NOT BE DISCLOSED OR USED IN ANY MANNER WHICH WILL BE DETRIMENTAL TO THE HWH CORPORATION	
		NEWMAR	DRAWING NUMBER MP71312 A/C

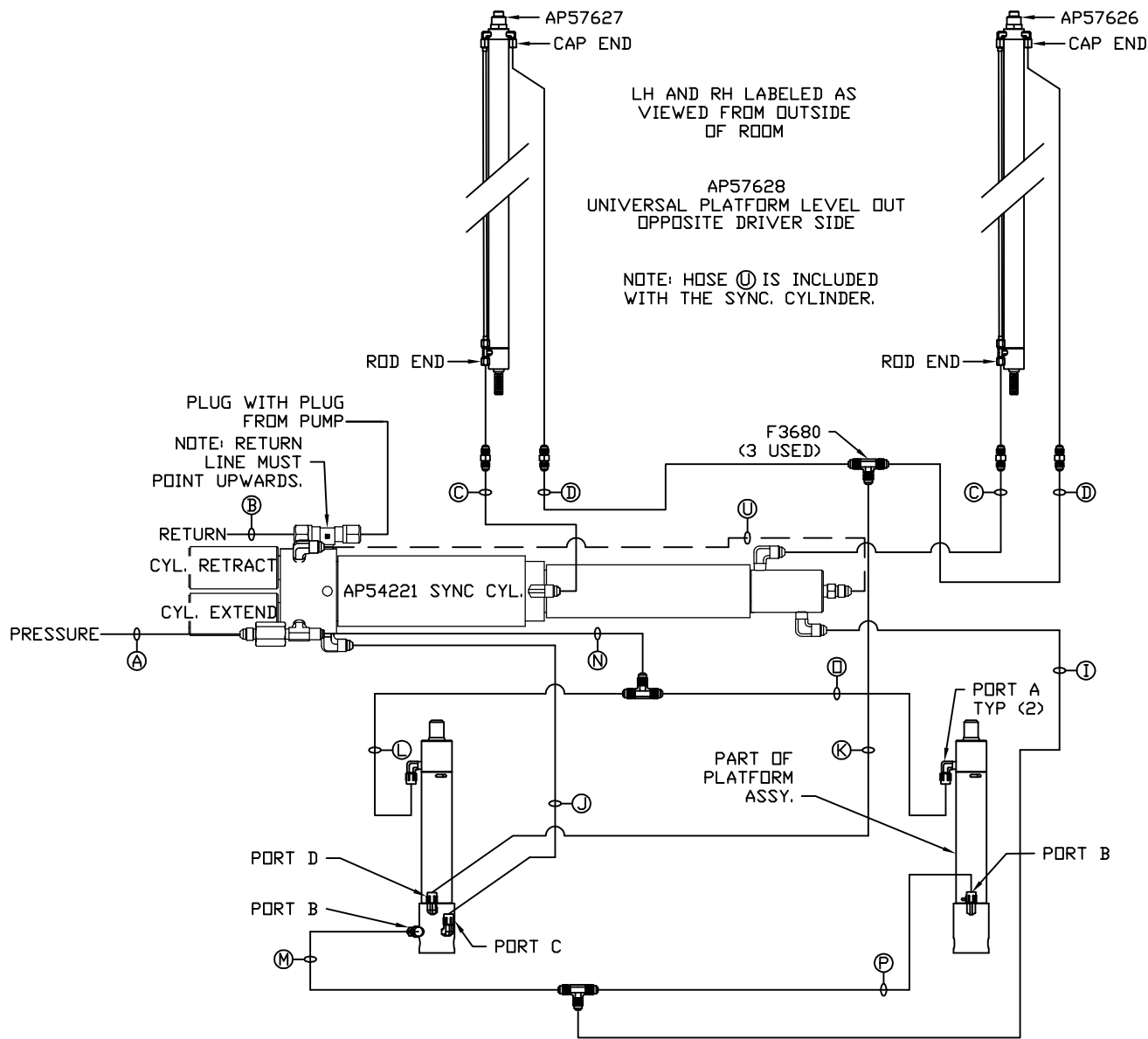
- Ⓐ HOSE ASSY 04
PRESSURE
- Ⓑ .375" OD NYLON TUBING
RETURN
- Ⓒ HOSE ASSY 03
ROD END - ALWAYS PRESSURIZED
HOSES MUST BE HIGH PRESSURE
AND OF EQUAL LENGTH AND DIAMETER
- Ⓓ HOSE ASSY 04
CAP END - HOSES MUST MAINTAIN
EQUAL LENGTH AND DIAMETER
- Ⓚ AP HOSE ASSY 04
CAP END (LIFT)
- Ⓛ HOSE ASSY 04
CAP END (ROOM)
- Ⓜ HOSE ASSY 03
CAP END (ROOM)
- Ⓝ HOSE ASSY 03
ROD END (LIFT) ALWAYS PRESSURIZED
- Ⓞ HOSE ASSY 04
CAP END (LIFT)
- Ⓟ HOSE ASSY 03
ROD END (LIFT) ALWAYS PRESSURIZED
- Ⓠ HOSE ASSY
ROD END (LIFT) ALWAYS PRESSURIZED
- Ⓡ HOSE ASSY 04
CAP END (LIFT)
- Ⓢ HOSE ASSY 03
ROD END (LIFT) ALWAYS PRESSURIZED
- Ⓣ HOSE ASSY 04
CAP END (LIFT)



NOTES:
 FOR CONNECTION CLARITY ONLY THE CYLINDERS ARE SHOWN.
 HOSE Ⓣ IS INCLUDED WITH THE SYNC. CYLINDER.

NOTE: INSTALLATION MUST CONFORM TO GOOD SHOP PRACTICES, SAE STANDARDS, RVIA STANDARDS, AND OTHER APPLICABLE STANDARDS.

MP71312 B/C
21JAN21



- (A) HOSE ASSY 04
PRESSURE
- (B) .375" OD NYLON TUBING
RETURN
- (C) HOSE ASSY 03
ROD END - ALWAYS PRESSURIZED - MUST BE HIGH PRESSURE HOSES OF EQUAL LENGTH AND DIAMETER
- (D) HOSE ASSY 04
CAP END - MUST MAINTAIN EQUAL LENGTH AND DIAMETER
- (E) HOSE ASSY 04
CAP END (LIFT)
- (F) HOSE ASSY 03
CAP END (ROOM)
- (G) HOSE ASSY 03
CAP END (ROOM)
- (H) HOSE ASSY 03
ROD END (LIFT) - ALWAYS PRESSURIZED
- (M) HOSE ASSY 03
CAP END (LIFT)
- (N) HOSE ASSY 04
ROD END - ALWAYS PRESSURIZED (LIFT)
- (O) HOSE ASSY 03
ROD END (LIFT) - ALWAYS PRESSURIZED
- (P) HOSE ASSY 03
CAP END LIFT
- (U) STEEL TUBE
CAP END (LIFT)

NOTE: INSTALLATION MUST CONFORM TO GOOD SHOP PRACTICES, SAE STANDARDS, RVIA STANDARDS, AND OTHER APPLICABLE STANDARDS.

MP71312 C/C
21JAN21