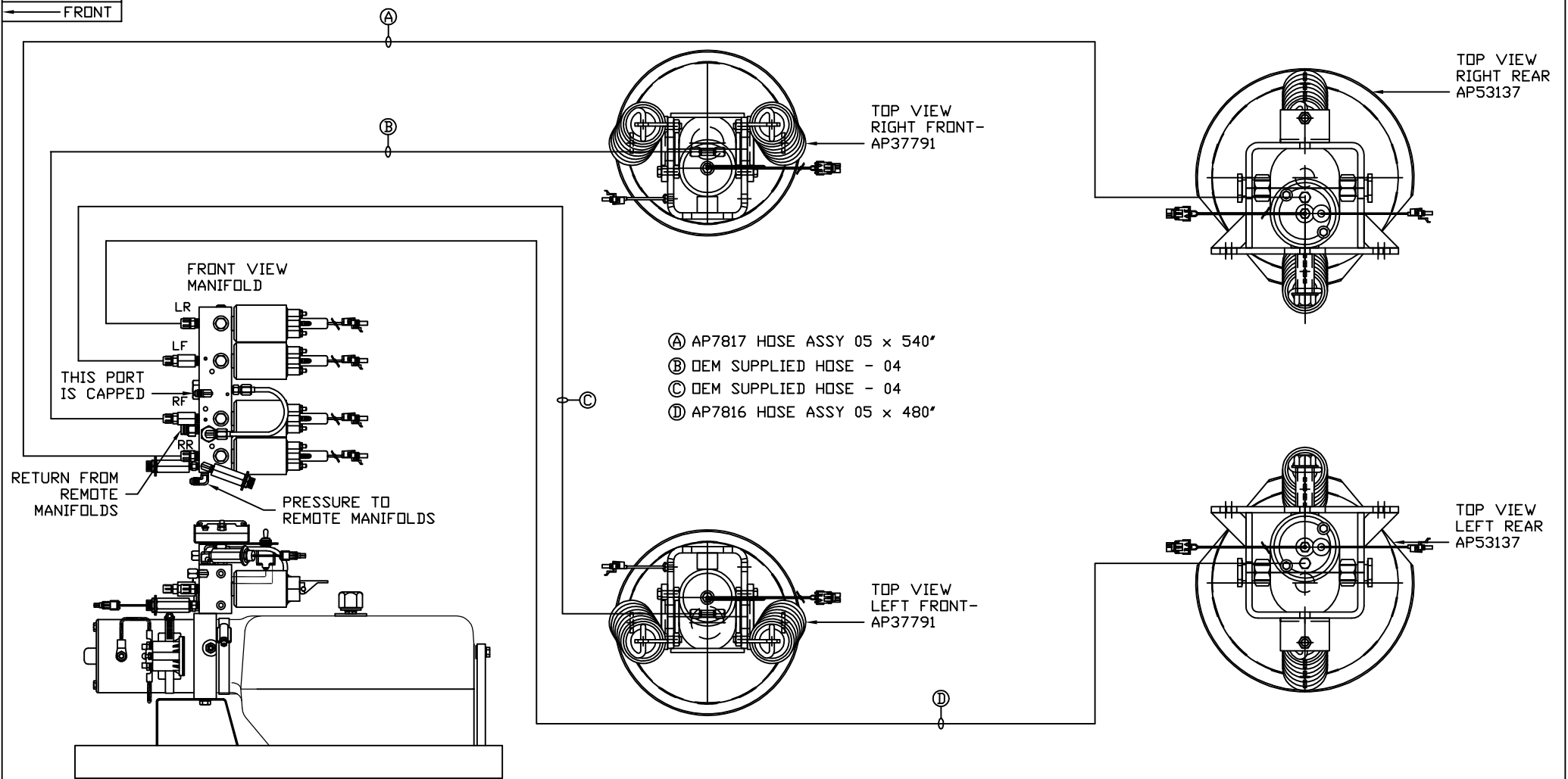


ORIENTATION
← FRONT



- Ⓐ AP7817 HOSE ASSY 05 x 540'
- Ⓑ DEM SUPPLIED HOSE - 04
- Ⓒ DEM SUPPLIED HOSE - 04
- Ⓓ AP7816 HOSE ASSY 05 x 480'

SIDE VIEW PUMP/MANIFOLD-AP58662

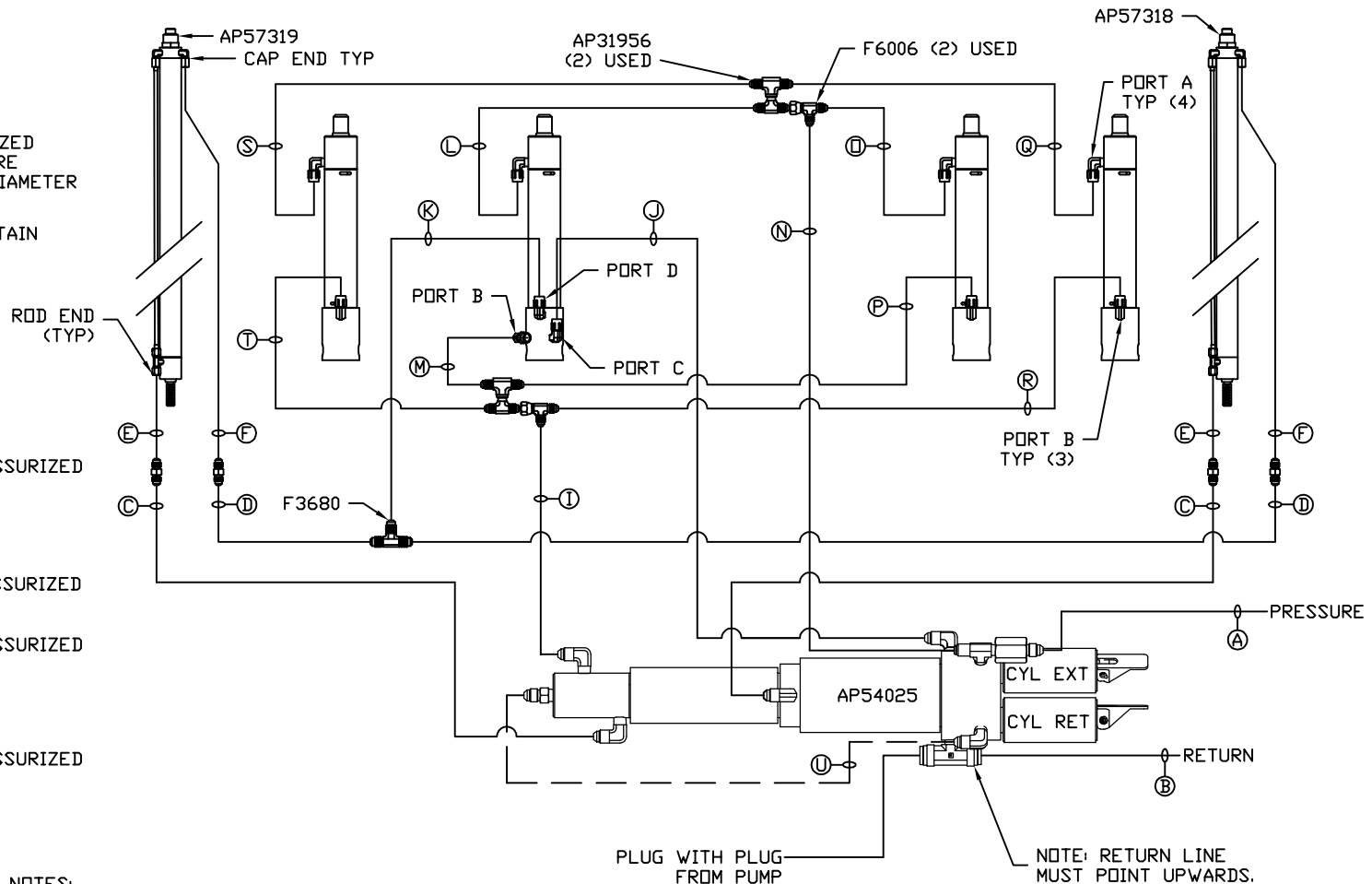
LOCATION AND ORIENTATION OF PUMP/MANIFOLD ASSEMBLY WILL DIFFER DEPENDING UPON D.E.M.

NOTE: INSTALLATION MUST CONFORM TO GOOD SHOP PRACTICES, SAE STANDARDS, RVIA STANDARDS, AND OTHER APPLICABLE STANDARDS.

PARTS LIST: PL62299

		HWH I-80 EXIT 267 SOUTH RT 1 MOSCOW, IOWA 52760	
		SCALE 1:6	DATE 21JAN21
		DRAWN BY .	
HYD CONN DIAGRAM			
NO.	DATE	REVISION	
THE INFORMATION DISCLOSED ON THIS DRAWING IS CONFIDENTIAL AND MUST NOT BE DISCLOSED OR USED IN ANY MANNER WHICH WILL BE DETRIMENTAL TO THE HWH CORPORATION			
		NEWMAR	DRAWING NUMBER MP71316 A/B

- Ⓐ HOSE ASSY 04
PRESSURE
- Ⓑ .375" OD NYLON TUBING
RETURN
- Ⓒ HOSE ASSY 03
ROD END - ALWAYS PRESSURIZED
HOSES MUST BE HIGH PRESSURE
AND OF EQUAL LENGTH AND DIAMETER
- Ⓓ HOSE ASSY 04
CAP END - HOSES MUST MAINTAIN
EQUAL LENGTH AND DIAMETER
- Ⓚ AP HOSE ASSY 04
CAP END (LIFT)
- Ⓛ HOSE ASSY 04
CAP END (ROOM)
- Ⓜ HOSE ASSY 03
CAP END (ROOM)
- Ⓝ HOSE ASSY 03
ROD END (LIFT) ALWAYS PRESSURIZED
- Ⓞ HOSE ASSY 04
CAP END (LIFT)
- Ⓟ HOSE ASSY 03
ROD END (LIFT) ALWAYS PRESSURIZED
- Ⓠ HOSE ASSY
ROD END (LIFT) ALWAYS PRESSURIZED
- Ⓡ HOSE ASSY 04
CAP END (LIFT)
- Ⓢ HOSE ASSY 03
ROD END (LIFT) ALWAYS PRESSURIZED
- Ⓣ HOSE ASSY 04
CAP END (LIFT)



AP57320
ROOM KIT
DRIVER SIDE

NOTES:
FOR CONNECTION CLARITY ONLY THE CYLINDERS ARE SHOWN.
HOSE Ⓣ IS INCLUDED WITH THE SYNC. CYLINDER.

NOTE: INSTALLATION MUST CONFORM TO GOOD SHOP PRACTICES, SAE STANDARDS, RVIA STANDARDS, AND OTHER APPLICABLE STANDARDS.

MP71316 B/B
21JAN21