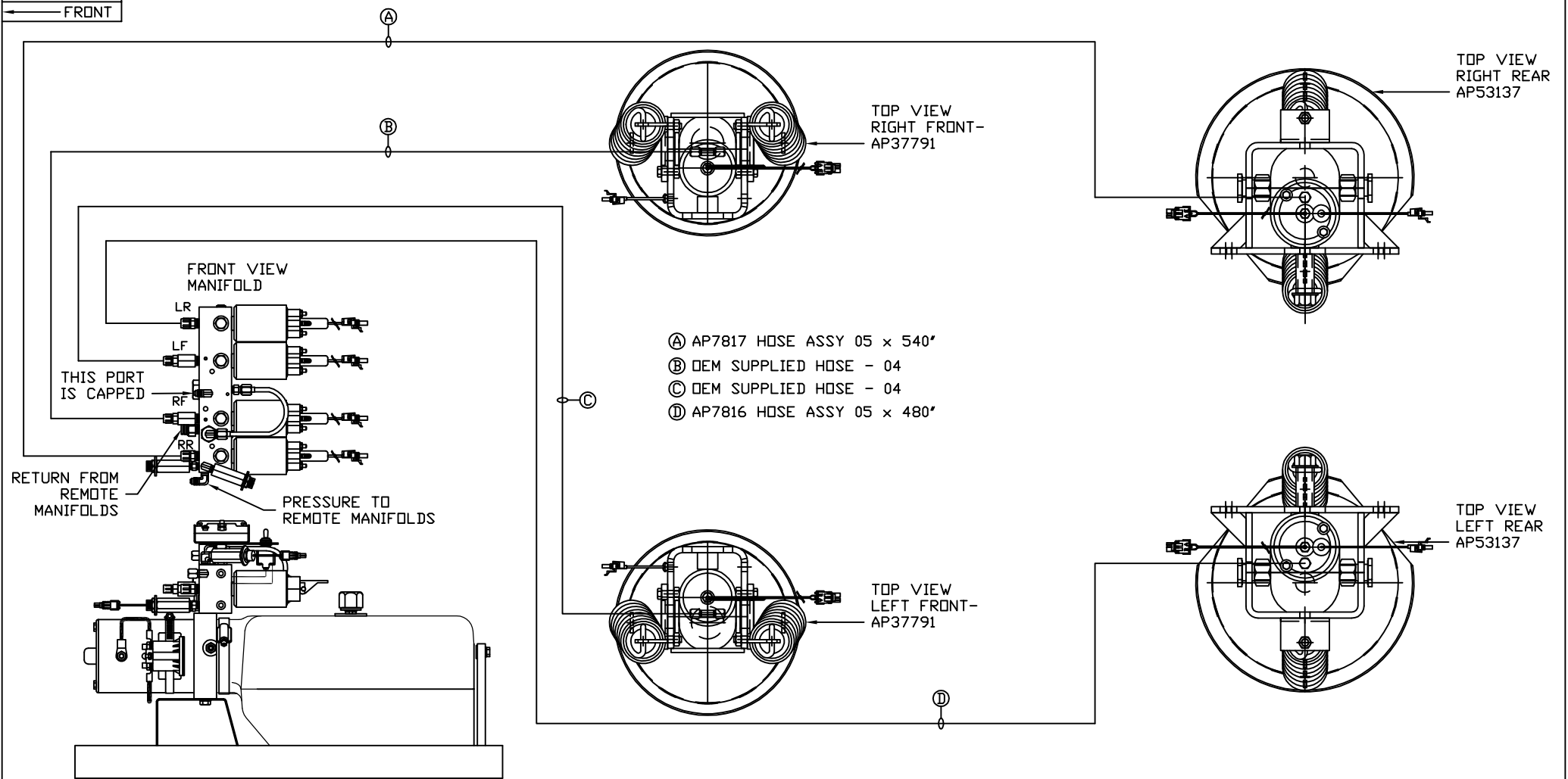


ORIENTATION
← FRONT



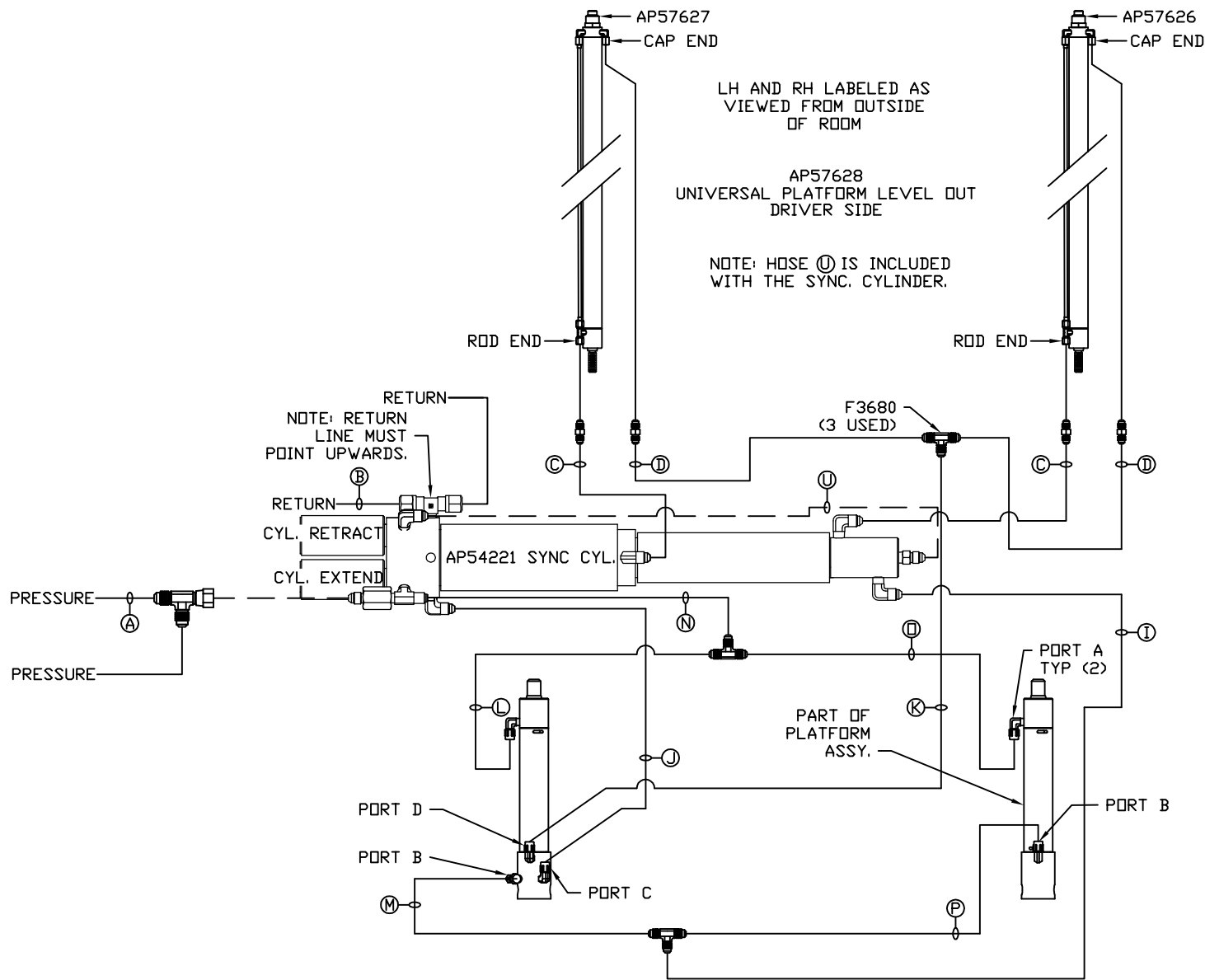
SIDE VIEW PUMP/MANIFOLD-AP58662

LOCATION AND ORIENTATION OF PUMP/MANIFOLD ASSEMBLY WILL DIFFER DEPENDING UPON O.E.M.

NOTE: INSTALLATION MUST CONFORM TO GOOD SHOP PRACTICES, SAE STANDARDS, RVIA STANDARDS, AND OTHER APPLICABLE STANDARDS.

PARTS LIST: PL62303

		HWH I-80 EXIT 267 SOUTH RT 1 MOSCOW, IOWA 52760	
		SCALE 1:6	DATE 21JAN21
		DRAWN BY .	
HYD CONN DIAGRAM			
NO.	DATE	REVISION	
THE INFORMATION DISCLOSED ON THIS DRAWING IS CONFIDENTIAL AND MUST NOT BE DISCLOSED OR USED IN ANY MANNER WHICH WILL BE DETRIMENTAL TO THE HWH CORPORATION			
		NEWMAR	DRAWING NUMBER MP71320 A/C

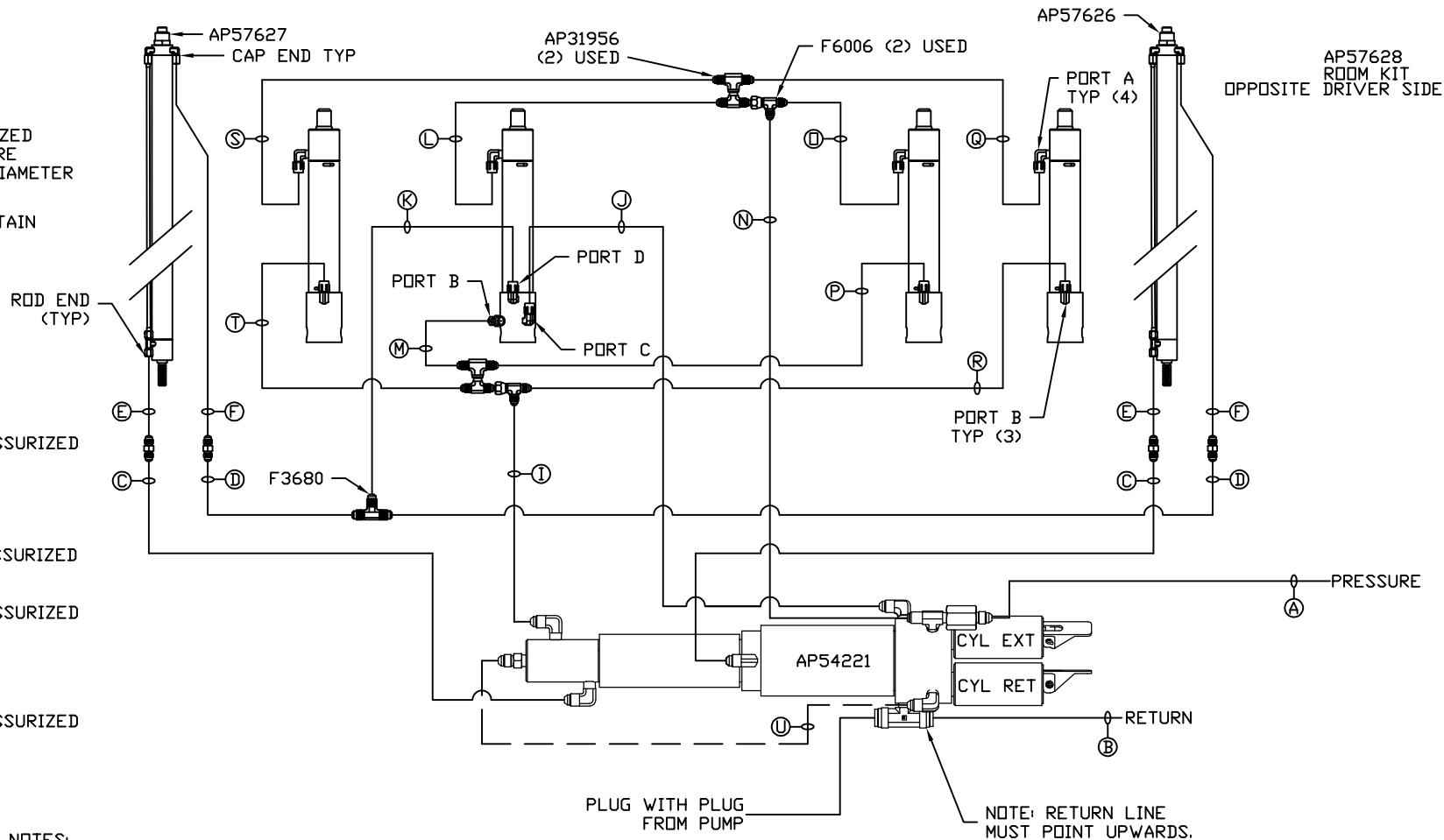


- Ⓐ HOSE ASSY 04 PRESSURE
- Ⓑ .375" OD NYLON TUBING RETURN
- Ⓒ HOSE ASSY 03 ROD END - ALWAYS PRESSURIZED - MUST BE HIGH PRESSURE HOSES OF EQUAL LENGTH AND DIAMETER
- Ⓓ HOSE ASSY 04 CAP END - MUST MAINTAIN EQUAL LENGTH AND DIAMETER
- ① HOSE ASSY 04 CAP END (LIFT)
- Ⓔ HOSE ASSY 03 CAP END (ROOM)
- Ⓚ HOSE ASSY 03 CAP END (ROOM)
- Ⓛ HOSE ASSY 03 ROD END (LIFT) - ALWAYS PRESSURIZED
- Ⓜ HOSE ASSY 03 CAP END (LIFT)
- Ⓝ HOSE ASSY 04 ROD END - ALWAYS PRESSURIZED (LIFT)
- Ⓟ HOSE ASSY 03 ROD END (LIFT) - ALWAYS PRESSURIZED
- Ⓠ HOSE ASSY 03 CAP END LIFT
- Ⓡ STEEL TUBE CAP END (LIFT)

NOTE: INSTALLATION MUST CONFORM TO GOOD SHOP PRACTICES, SAE STANDARDS, RVIA STANDARDS, AND OTHER APPLICABLE STANDARDS.

MP71320 B/C
21JAN21

- Ⓐ HOSE ASSY 04
PRESSURE
- Ⓑ .375" OD NYLON TUBING
RETURN
- Ⓒ HOSE ASSY 03
ROD END - ALWAYS PRESSURIZED
HOSES MUST BE HIGH PRESSURE
AND OF EQUAL LENGTH AND DIAMETER
- Ⓓ HOSE ASSY 04
CAP END - HOSES MUST MAINTAIN
EQUAL LENGTH AND DIAMETER
- Ⓚ AP HOSE ASSY 04
CAP END (LIFT)
- Ⓛ HOSE ASSY 04
CAP END (ROOM)
- Ⓜ HOSE ASSY 03
CAP END (ROOM)
- Ⓝ HOSE ASSY 03
ROD END (LIFT) ALWAYS PRESSURIZED
- Ⓟ HOSE ASSY 04
CAP END (LIFT)
- Ⓠ HOSE ASSY 03
ROD END (LIFT) ALWAYS PRESSURIZED
- Ⓡ HOSE ASSY 04
CAP END (LIFT)
- Ⓢ HOSE ASSY 03
ROD END (LIFT) ALWAYS PRESSURIZED
- Ⓣ HOSE ASSY 04
CAP END (LIFT)



NOTES:
 FOR CONNECTION CLARITY ONLY THE CYLINDERS ARE SHOWN.
 HOSE Ⓣ IS INCLUDED WITH THE SYNC. CYLINDER.

NOTE: INSTALLATION MUST CONFORM TO GOOD SHOP PRACTICES, SAE STANDARDS, RVIA STANDARDS, AND OTHER APPLICABLE STANDARDS.

MP71320 C/C
 21JAN21