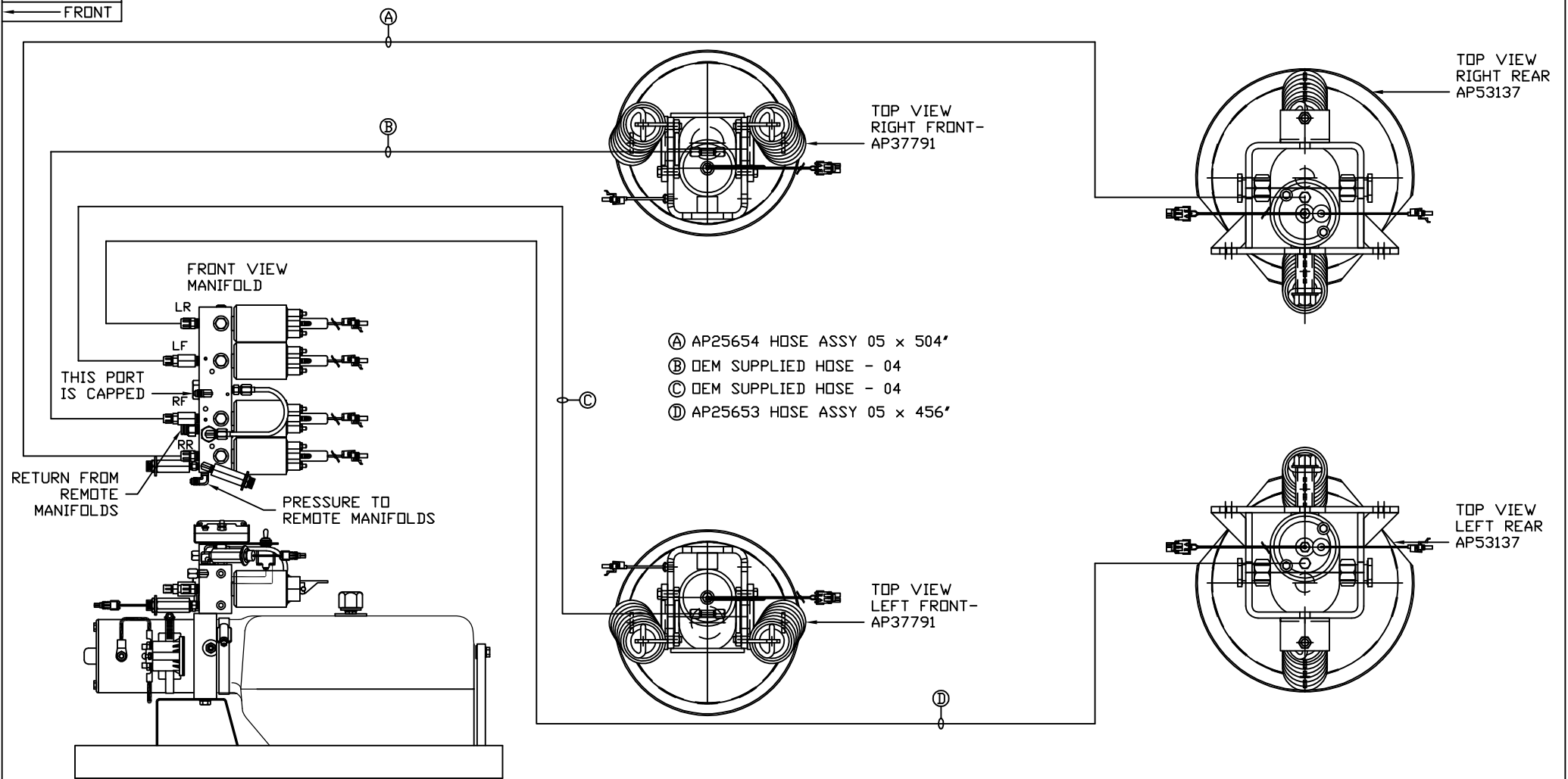


ORIENTATION  
← FRONT



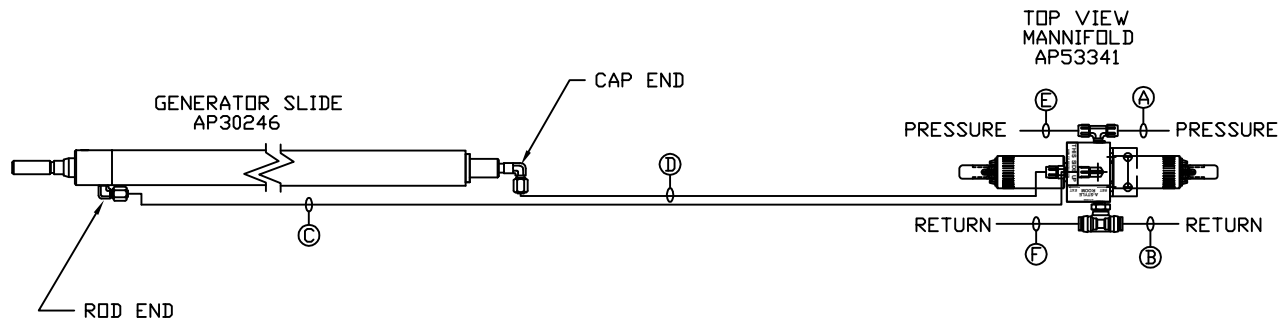
SIDE VIEW PUMP/MANIFOLD-AP58662-01

LOCATION AND ORIENTATION OF PUMP/MANIFOLD ASSEMBLY WILL DIFFER DEPENDING UPON D.E.M.

NOTE: INSTALLATION MUST CONFORM TO GOOD SHOP PRACTICES, SAE STANDARDS, RVIA STANDARDS, AND OTHER APPLICABLE STANDARDS.

PARTS LIST: PL62307

		HWH I-80 EXIT 267 SOUTH RT 1 MOSCOW, IOWA 52760	
		SCALE 1:6	DATE 22JAN21
		DRAWN BY .	
HYD CONN DIAGRAM			
NO.	DATE	REVISION	
THE INFORMATION DISCLOSED ON THIS DRAWING IS CONFIDENTIAL AND MUST NOT BE DISCLOSED OR USED IN ANY MANNER WHICH WILL BE DETRIMENTAL TO THE HWH CORPORATION			
		NEWMAR	DRAWING NUMBER MP71324 A/C



- Ⓐ HOSE ASSY 04  
PRESSURE
- Ⓑ .375" OD NYLON TUBING  
RETURN
- Ⓒ HOSE ASSY 04  
ROD END - ALWAYS PRESSURIZED
- Ⓓ HOSE ASSY 04  
CAP END
- Ⓔ HOSE ASSY 04  
PRESSURE
- Ⓕ .375" OD NYLON TUBING  
RETURN

NOTE: INSTALLATION MUST CONFORM TO GOOD SHOP PRACTICES, SAE STANDARDS, RVIA STANDARDS, AND OTHER APPLICABLE STANDARDS.

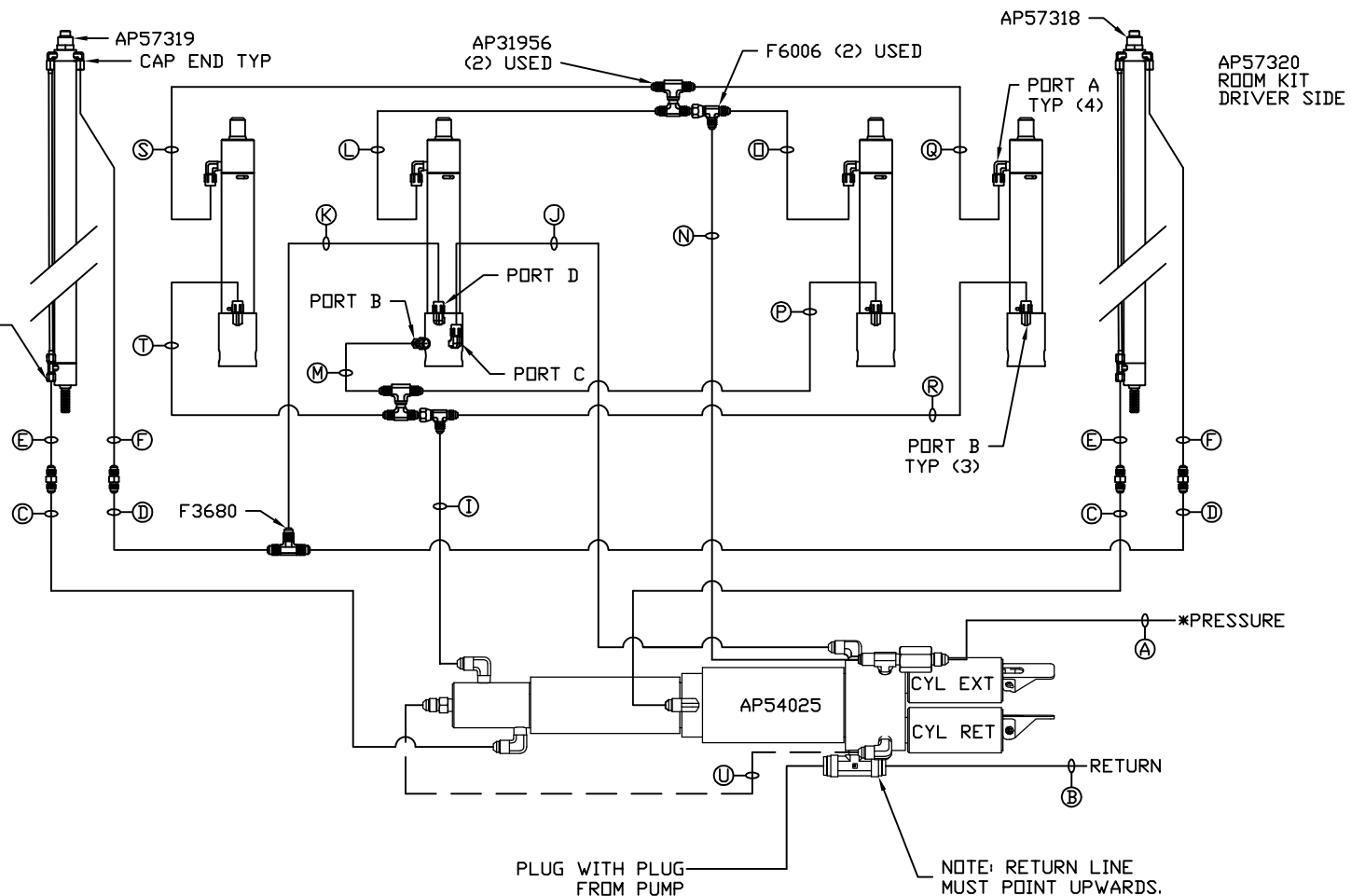
MP71324 B/C  
22JAN21

- Ⓐ HOSE ASSY 04  
PRESSURE
- Ⓑ .375" OD NYLON TUBING  
RETURN
- Ⓒ HOSE ASSY 03  
ROD END - ALWAYS PRESSURIZED  
HOSES MUST BE HIGH PRESSURE  
AND OF EQUAL LENGTH AND DIAMETER
- Ⓓ HOSE ASSY 04  
CAP END - HOSES MUST MAINTAIN  
EQUAL LENGTH AND DIAMETER
- Ⓚ AP HOSE ASSY 04  
CAP END (LIFT) WAS AP4060
- Ⓛ HOSE ASSY 04  
CAP END (ROOM)
- Ⓜ HOSE ASSY 03  
CAP END (ROOM)
- Ⓝ HOSE ASSY 03  
ROD END (LIFT) ALWAYS PRESSURIZED
- Ⓟ HOSE ASSY 04  
CAP END (LIFT)
- Ⓠ HOSE ASSY 03  
ROD END (LIFT) ALWAYS PRESSURIZED
- Ⓡ HOSE ASSY 04  
CAP END (LIFT)
- Ⓢ HOSE ASSY 03  
ROD END (LIFT) ALWAYS PRESSURIZED
- Ⓣ HOSE ASSY 04  
CAP END (LIFT)

NOTES:

FOR CONNECTION CLARITY ONLY THE CYLINDERS ARE SHOWN.

HOSE Ⓣ IS INCLUDED WITH THE SYNC. CYLINDER.



NOTE: RETURN LINE MUST POINT UPWARDS.

\*NOTE: ISOLATED PRESSURE IF AVAILABLE, SEE LEVELING SYSTEM DIAGRAM

NOTE: INSTALLATION MUST CONFORM TO GOOD SHOP PRACTICES, SAE STANDARDS, RVIA STANDARDS, AND OTHER APPLICABLE STANDARDS.