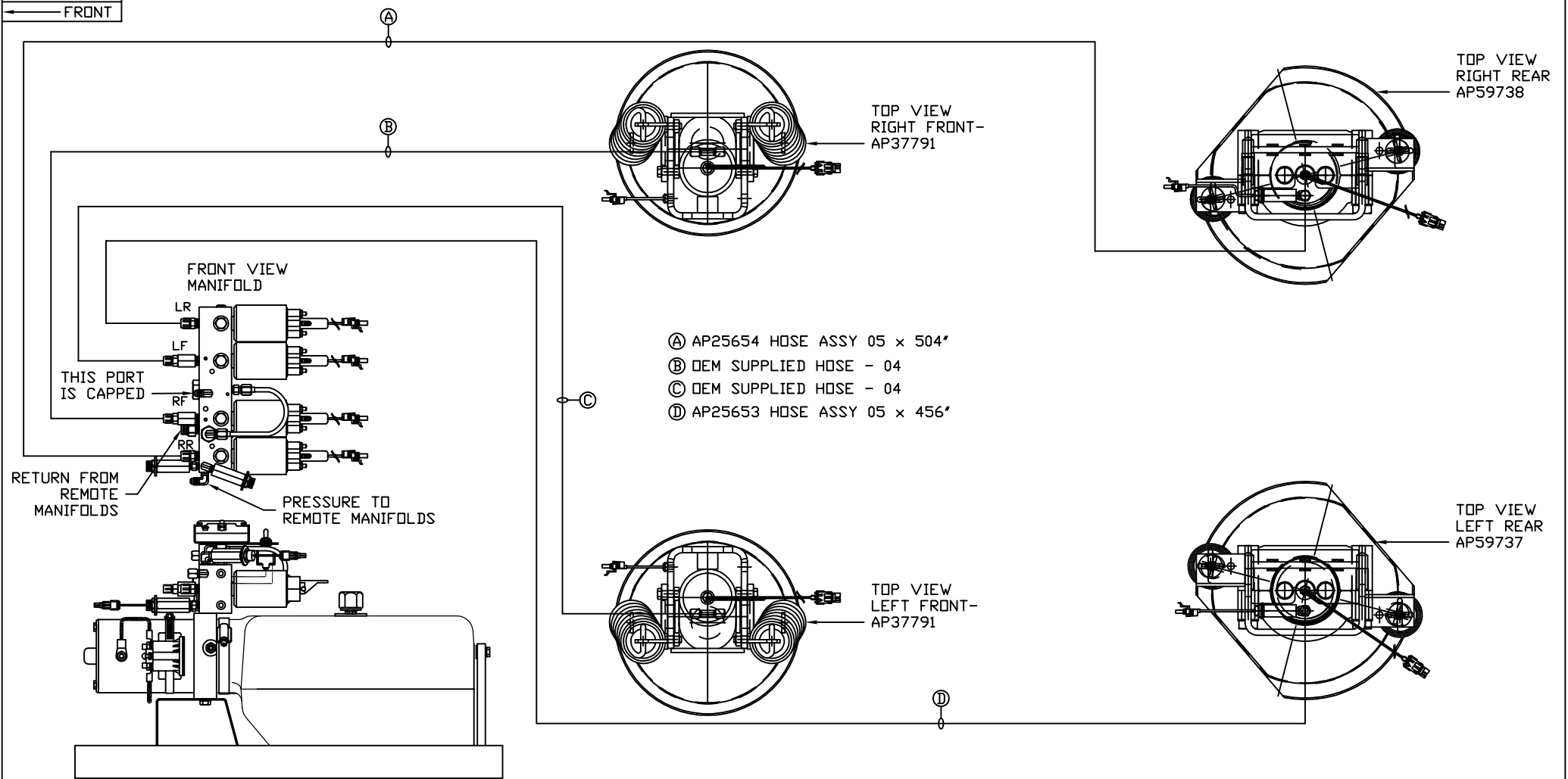


ORIENTATION
← FRONT



- Ⓐ AP25654 HOSE ASSY 05 x 504'
- Ⓑ DEM SUPPLIED HOSE - 04
- Ⓒ DEM SUPPLIED HOSE - 04
- Ⓓ AP25653 HOSE ASSY 05 x 456'

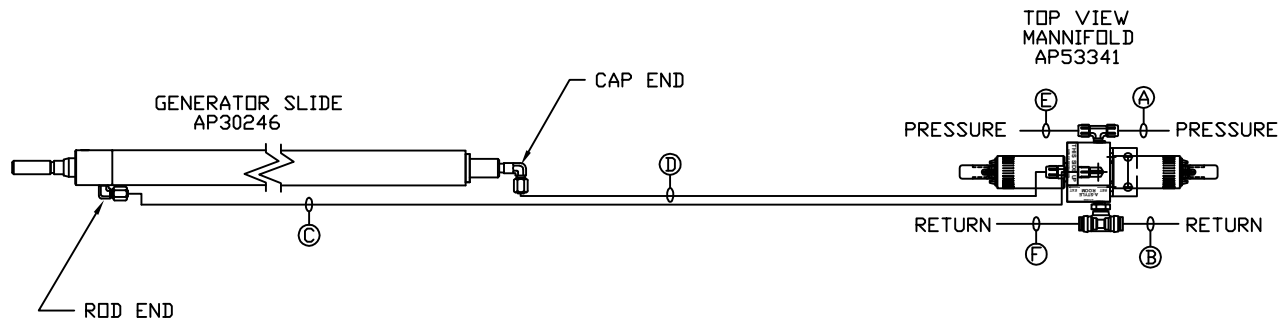
SIDE VIEW PUMP/MANIFOLD-AP58662-01

LOCATION AND ORIENTATION OF PUMP/MANIFOLD ASSEMBLY WILL DIFFER DEPENDING UPON D.E.M.

NOTE: INSTALLATION MUST CONFORM TO GOOD SHOP PRACTICES, SAE STANDARDS, RVIA STANDARDS, AND OTHER APPLICABLE STANDARDS.

PARTS LIST: PL62310

		HWH		I-80 EXIT 267 SOUTH RT 1 MOSCOW, IOWA 52760	
		SCALE 1:6	DATE 22JAN21	DRAWN BY .	
		HYD CONN DIAGRAM			
NO.	DATE	REVISION			
		NEWMAR		DRAWING NUMBER MP71325 A/C	
THE INFORMATION DISCLOSED ON THIS DRAWING IS CONFIDENTIAL AND MUST NOT BE DISCLOSED OR USED IN ANY MANNER WHICH WILL BE DETRIMENTAL TO THE HWH CORPORATION					



- Ⓐ HOSE ASSY 04
PRESSURE
- Ⓑ .375" OD NYLON TUBING
RETURN
- Ⓒ HOSE ASSY 04
ROD END - ALWAYS PRESSURIZED
- Ⓓ HOSE ASSY 04
CAP END
- Ⓔ HOSE ASSY 04
PRESSURE
- Ⓕ .375" OD NYLON TUBING
RETURN

NOTE: INSTALLATION MUST CONFORM TO GOOD SHOP PRACTICES, SAE STANDARDS, RVIA STANDARDS, AND OTHER APPLICABLE STANDARDS.

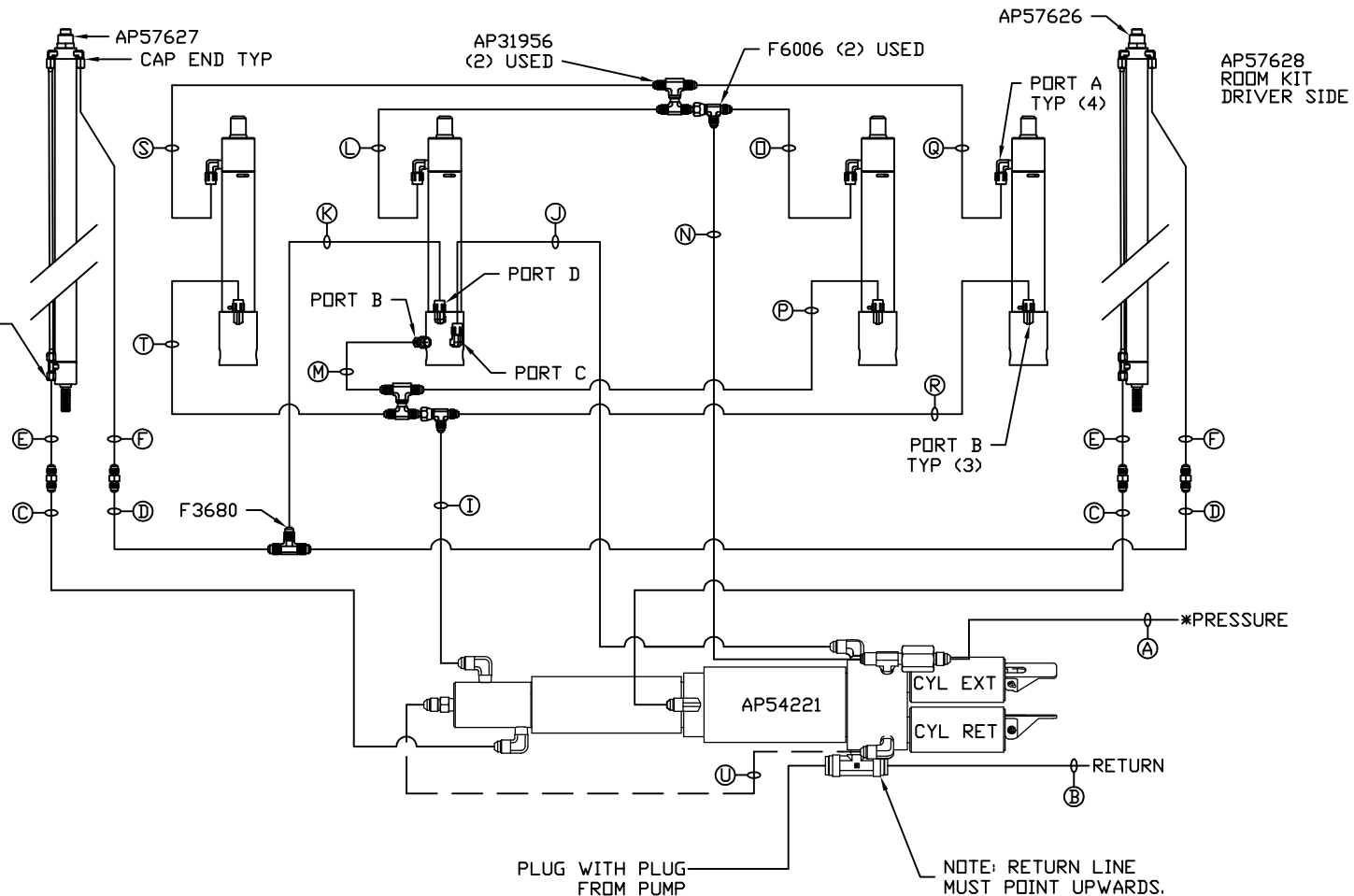
MP71325 B/C
22JAN21

- Ⓐ HOSE ASSY 04
PRESSURE
- Ⓑ .375" OD NYLON TUBING
RETURN
- Ⓒ HOSE ASSY 03
ROD END - ALWAYS PRESSURIZED
HOSES MUST BE HIGH PRESSURE
AND OF EQUAL LENGTH AND DIAMETER
- Ⓓ HOSE ASSY 04
CAP END - HOSES MUST MAINTAIN
EQUAL LENGTH AND DIAMETER
- Ⓚ AP HOSE ASSY 04
CAP END (LIFT) WAS AP4060
- Ⓛ HOSE ASSY 04
CAP END (ROOM)
- Ⓜ HOSE ASSY 03
CAP END (ROOM)
- Ⓝ HOSE ASSY 03
ROD END (LIFT) ALWAYS PRESSURIZED
- Ⓟ HOSE ASSY 04
CAP END (LIFT)
- Ⓠ HOSE ASSY 03
ROD END (LIFT) ALWAYS PRESSURIZED
- Ⓡ HOSE ASSY 04
CAP END (LIFT)
- Ⓢ HOSE ASSY 03
ROD END (LIFT) ALWAYS PRESSURIZED
- Ⓣ HOSE ASSY 04
CAP END (LIFT)

NOTES:

FOR CONNECTION CLARITY ONLY THE CYLINDERS ARE SHOWN.

HOSE Ⓢ IS INCLUDED WITH THE SYNC. CYLINDER.



*NOTE: ISOLATED PRESSURE IF AVAILABLE, SEE LEVELING SYSTEM DIAGRAM