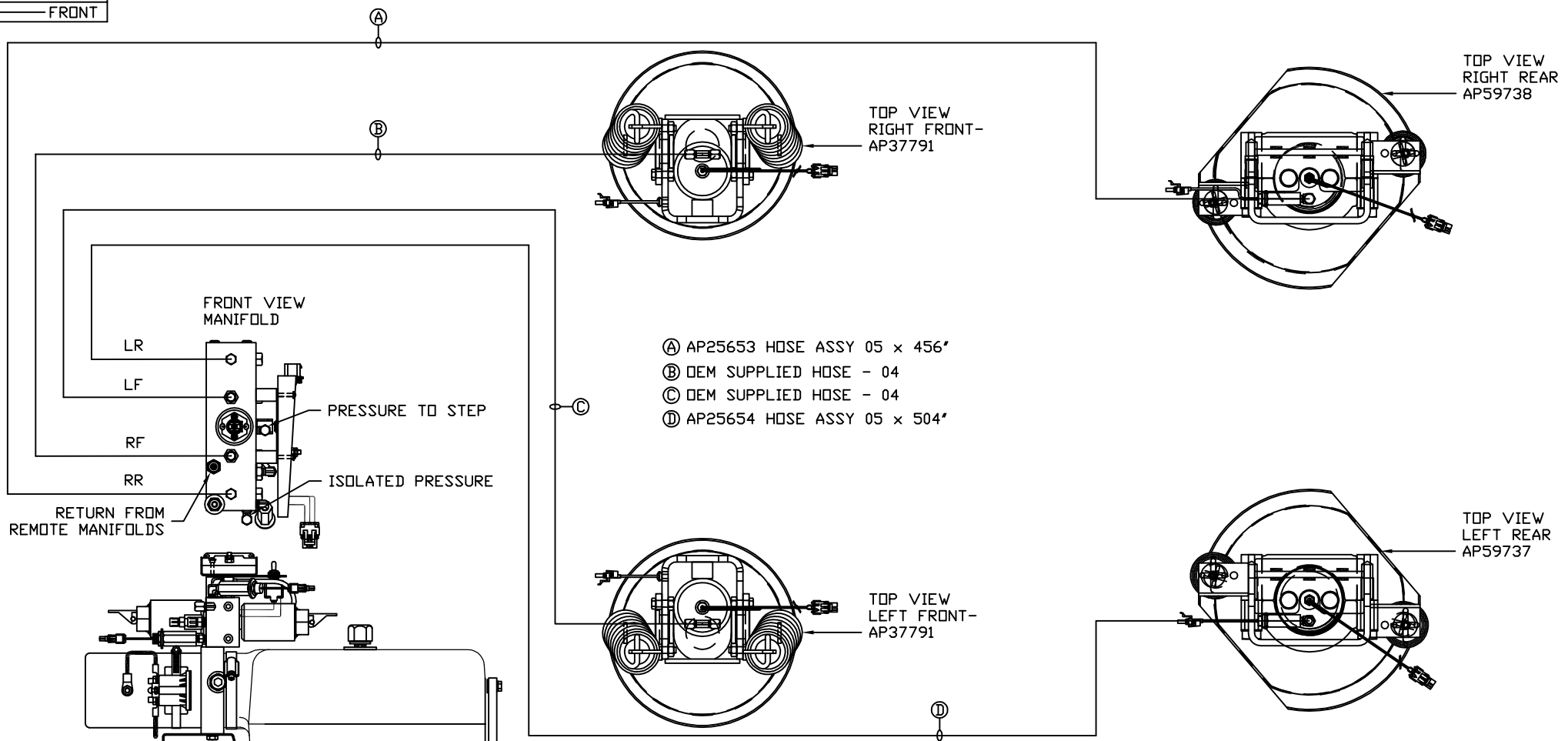
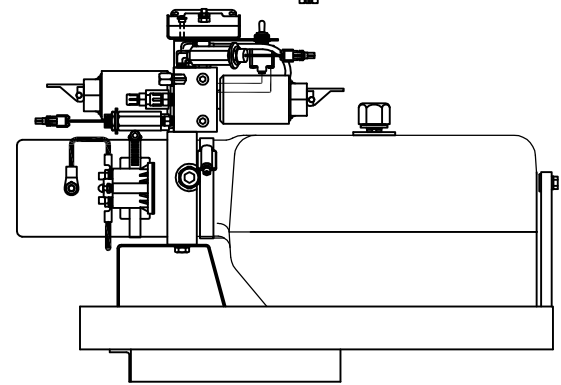
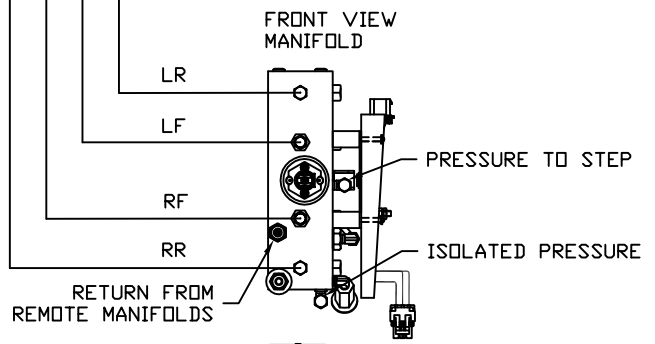


ORIENTATION  
← FRONT



- Ⓐ AP25653 HOSE ASSY 05 x 456'
- Ⓑ DEM SUPPLIED HOSE - 04
- Ⓒ DEM SUPPLIED HOSE - 04
- Ⓓ AP25654 HOSE ASSY 05 x 504'



LOCATION AND ORIENTATION OF PUMP/MANIFOLD ASSEMBLY WILL DIFFER DEPENDING UPON O.E.M.

NOTE: INSTALLATION MUST CONFORM TO GOOD SHOP PRACTICES, SAE STANDARDS, RVIA STANDARDS, AND OTHER APPLICABLE STANDARDS.

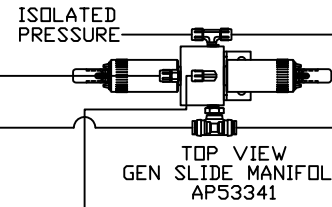
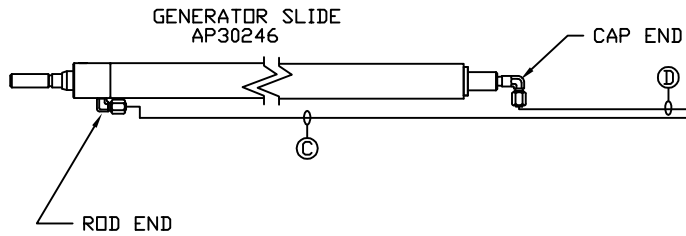
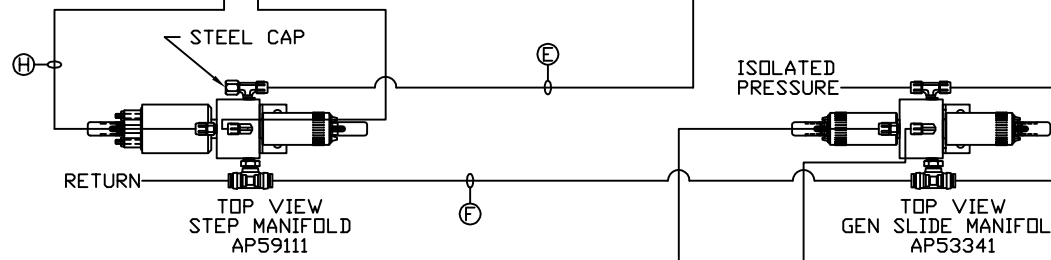
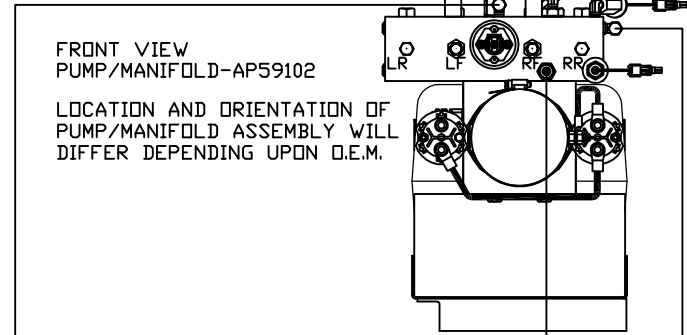
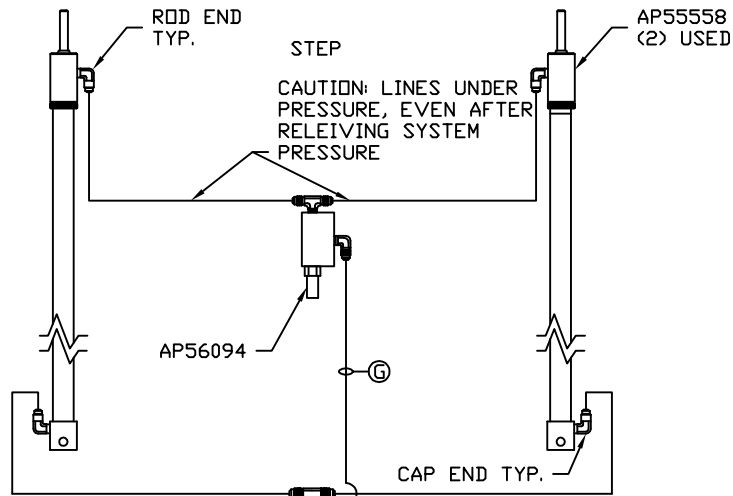
PARTS LIST: PL62314

		HWH		I-80 EXIT 267 SOUTH RT 1 MOSCOW, IOWA 52760	
		SCALE 1:6	DATE 25JAN21	DRAWN BY .	
		HYD CONN DIAGRAM			
NO.	DATE	REVISION			
		NEWMAR		DRAWING NUMBER MP71329 A/C	
<small>THE INFORMATION DISCLOSED ON THIS DRAWING IS CONFIDENTIAL AND MUST NOT BE DISCLOSED OR USED IN ANY MANNER WHICH WILL BE DETRIMENTAL TO THE HWH CORPORATION</small>					

**ORIENTATION**

← FRONT

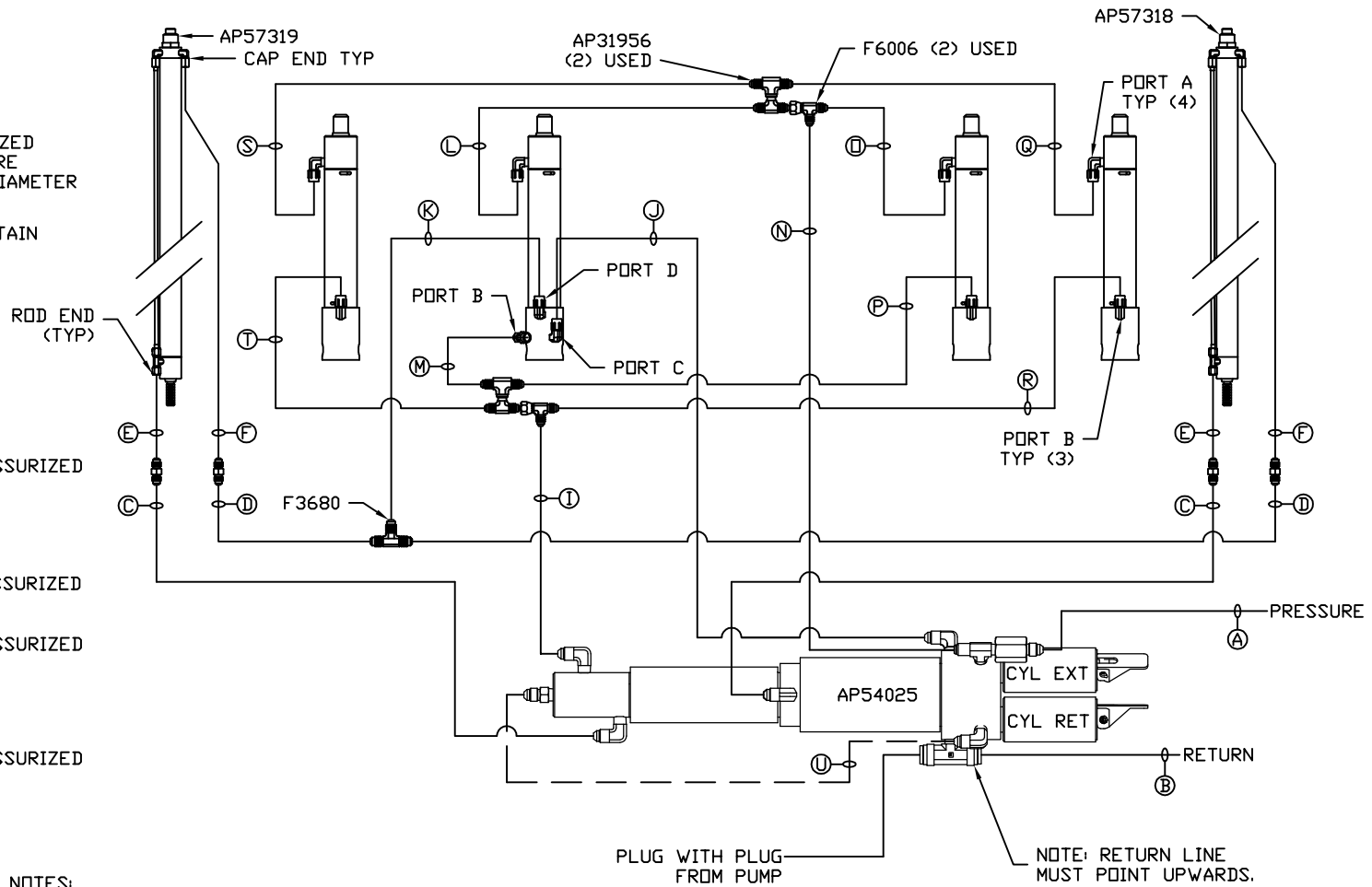
- Ⓐ HOSE ASSY 04  
PRESSURE
- Ⓑ .375" OD NYLON TUBING  
RETURN
- Ⓒ HOSE ASSY 04  
ROD END - ALWAYS PRESSURIZED
- Ⓓ HOSE ASSY 04  
CAP END
- Ⓔ HOSE ASSY 04  
PRESSURE
- Ⓕ .375" OD NYLON TUBING  
RETURN
- Ⓖ HOSE ASSY 04  
ROD END - ALWAYS PRESSURIZED
- Ⓗ HOSE ASSY 04  
CAP END



NOTE: INSTALLATION MUST CONFORM TO GOOD SHOP PRACTICES, SAE STANDARDS, RVIA STANDARDS, AND OTHER APPLICABLE STANDARDS.

MP71329 B/C  
25JAN21

- Ⓐ HOSE ASSY 04  
PRESSURE
- Ⓑ .375" OD NYLON TUBING  
RETURN
- Ⓒ HOSE ASSY 03  
ROD END - ALWAYS PRESSURIZED  
HOSES MUST BE HIGH PRESSURE  
AND OF EQUAL LENGTH AND DIAMETER
- Ⓓ HOSE ASSY 04  
CAP END - HOSES MUST MAINTAIN  
EQUAL LENGTH AND DIAMETER
- Ⓚ AP HOSE ASSY 04  
CAP END (LIFT)
- Ⓛ HOSE ASSY 04  
CAP END (ROOM)
- Ⓜ HOSE ASSY 03  
CAP END (ROOM)
- Ⓝ HOSE ASSY 03  
ROD END (LIFT) ALWAYS PRESSURIZED
- Ⓞ HOSE ASSY 04  
CAP END (LIFT)
- Ⓟ HOSE ASSY 03  
ROD END (LIFT) ALWAYS PRESSURIZED
- Ⓠ HOSE ASSY  
ROD END (LIFT) ALWAYS PRESSURIZED
- Ⓡ HOSE ASSY 04  
CAP END (LIFT)
- Ⓢ HOSE ASSY 03  
ROD END (LIFT) ALWAYS PRESSURIZED
- Ⓣ HOSE ASSY 04  
CAP END (LIFT)



NOTES:  
 FOR CONNECTION CLARITY ONLY THE CYLINDERS ARE SHOWN.  
 HOSE Ⓣ IS INCLUDED WITH THE SYNC. CYLINDER.

AP57320  
 ROOM KIT  
 DRIVER SIDE

NOTE: INSTALLATION MUST CONFORM TO GOOD SHOP PRACTICES, SAE STANDARDS, RVIA STANDARDS, AND OTHER APPLICABLE STANDARDS.

MP71329 C/C  
 25JAN21