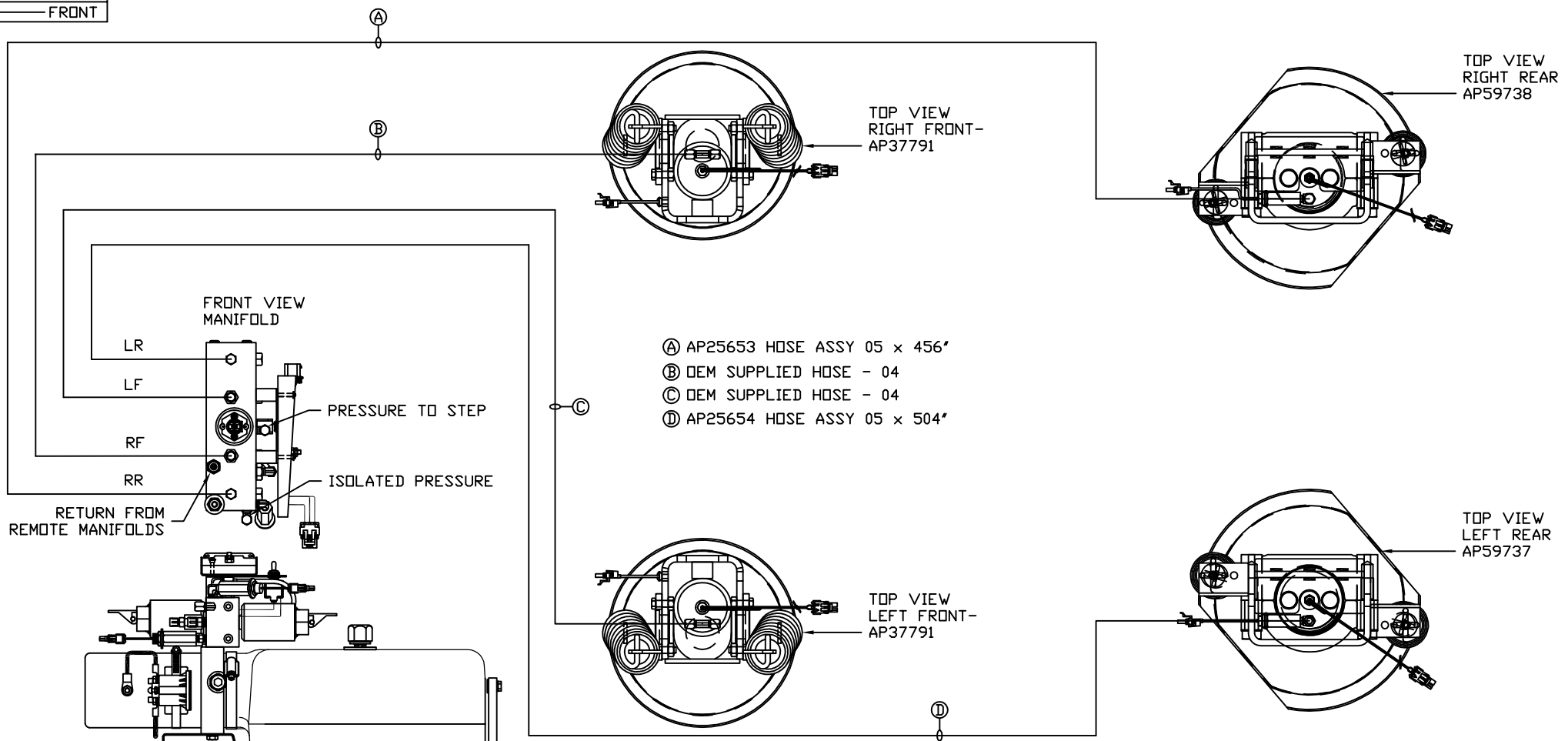
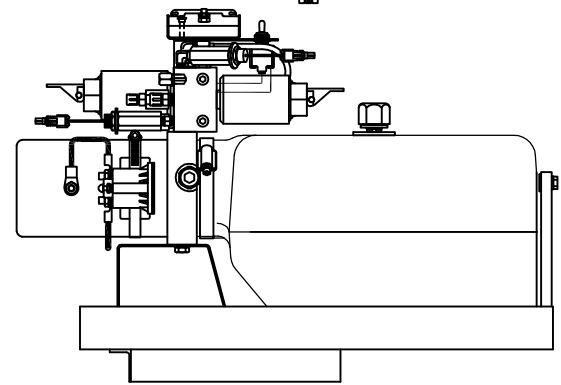
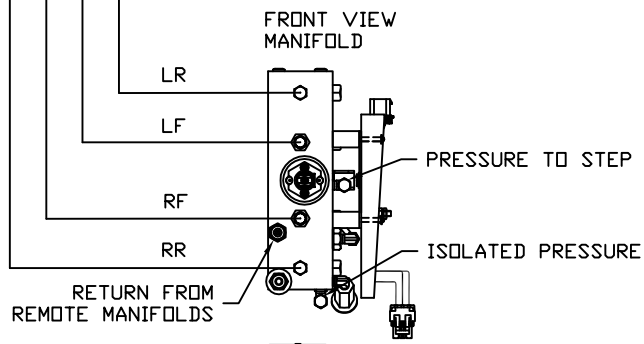


ORIENTATION
← FRONT



- Ⓐ AP25653 HOSE ASSY 05 x 456"
- Ⓑ DEM SUPPLIED HOSE - 04
- Ⓒ DEM SUPPLIED HOSE - 04
- Ⓓ AP25654 HOSE ASSY 05 x 504"



LOCATION AND ORIENTATION OF PUMP/MANIFOLD ASSEMBLY WILL DIFFER DEPENDING UPON D.E.M.

NOTE: INSTALLATION MUST CONFORM TO GOOD SHOP PRACTICES, SAE STANDARDS, RVIA STANDARDS, AND OTHER APPLICABLE STANDARDS.

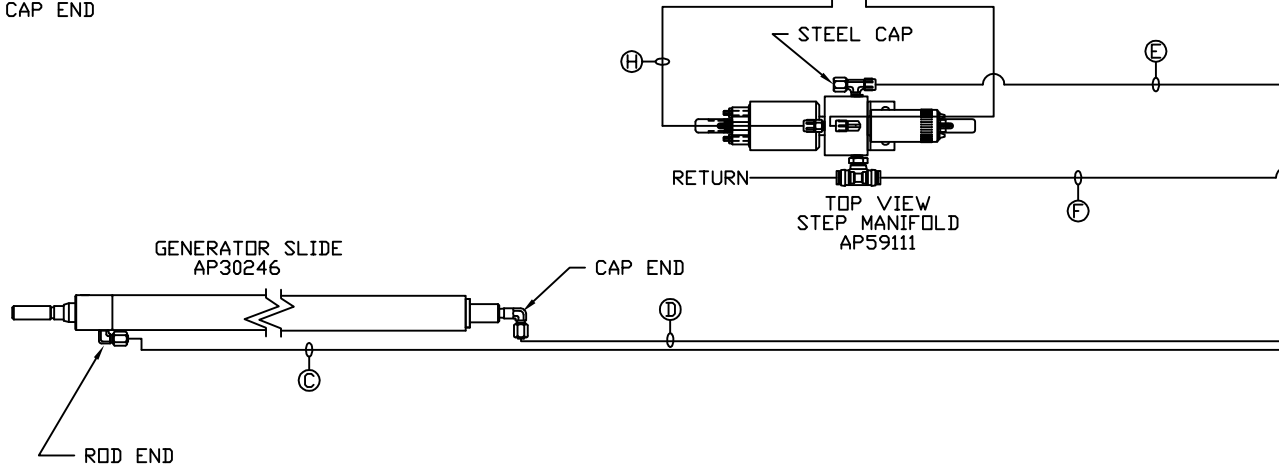
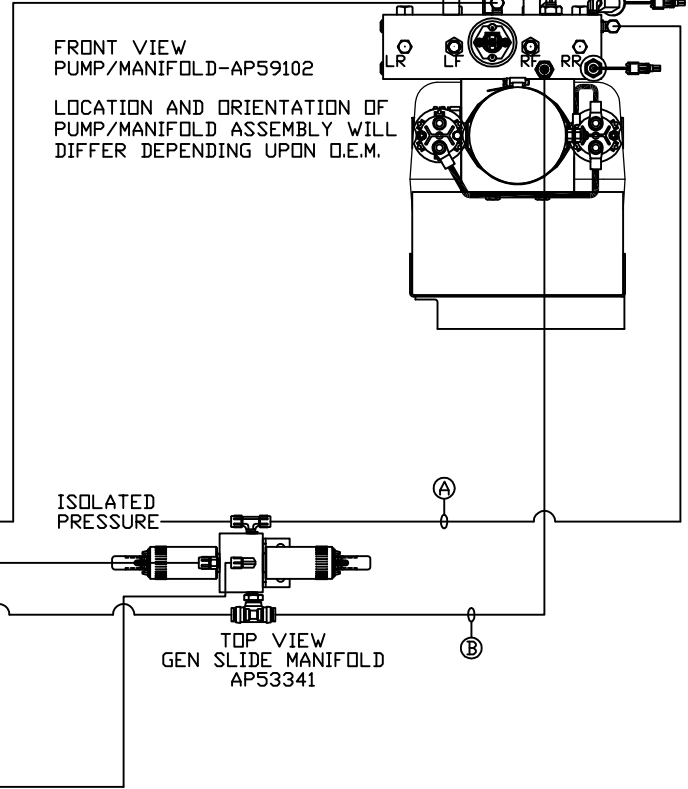
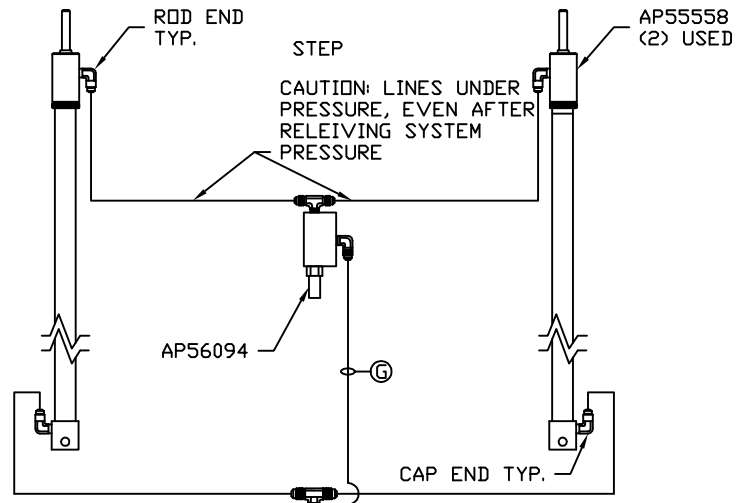
PARTS LIST: PL62318

		HWH		I-80 EXIT 267 SOUTH RT 1 MOSCOW, IOWA 52760	
		SCALE 1:6	DATE 25JAN21	DRAWN BY .	
		HYD CONN DIAGRAM			
NO.	DATE	REVISION			
		NEWMAR		DRAWING NUMBER MP71333 A/C	
<small>THE INFORMATION DISCLOSED ON THIS DRAWING IS CONFIDENTIAL AND MUST NOT BE DISCLOSED OR USED IN ANY MANNER WHICH WILL BE DETRIMENTAL TO THE HWH CORPORATION</small>					

ORIENTATION

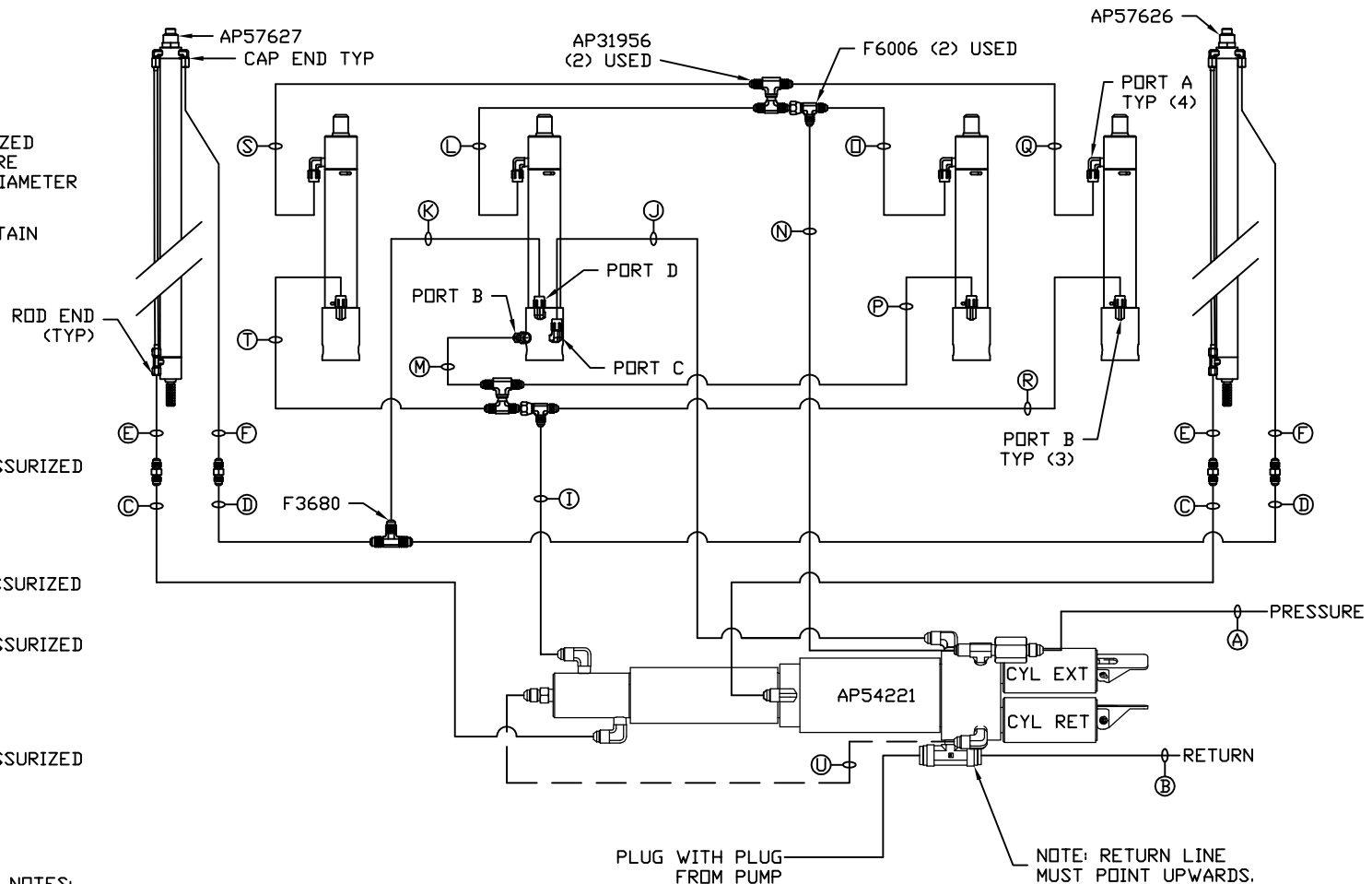
← FRONT

- Ⓐ HOSE ASSY 04 PRESSURE
- Ⓑ .375" OD NYLON TUBING RETURN
- Ⓒ HOSE ASSY 04 ROD END - ALWAYS PRESSURIZED
- Ⓓ HOSE ASSY 04 CAP END
- Ⓔ HOSE ASSY 04 PRESSURE
- Ⓕ .375" OD NYLON TUBING RETURN
- Ⓖ HOSE ASSY 04 ROD END - ALWAYS PRESSURIZED
- Ⓗ HOSE ASSY 04 CAP END



NOTE: INSTALLATION MUST CONFORM TO GOOD SHOP PRACTICES, SAE STANDARDS, RVIA STANDARDS, AND OTHER APPLICABLE STANDARDS.

- Ⓐ HOSE ASSY 04
PRESSURE
- Ⓑ .375" OD NYLON TUBING
RETURN
- Ⓒ HOSE ASSY 03
ROD END - ALWAYS PRESSURIZED
HOSES MUST BE HIGH PRESSURE
AND OF EQUAL LENGTH AND DIAMETER
- Ⓓ HOSE ASSY 04
CAP END - HOSES MUST MAINTAIN
EQUAL LENGTH AND DIAMETER
- Ⓚ AP HOSE ASSY 04
CAP END (LIFT)
- Ⓛ HOSE ASSY 04
CAP END (ROOM)
- Ⓜ HOSE ASSY 03
CAP END (ROOM)
- Ⓝ HOSE ASSY 03
ROD END (LIFT) ALWAYS PRESSURIZED
- Ⓞ HOSE ASSY 04
CAP END (LIFT)
- Ⓟ HOSE ASSY 03
ROD END (LIFT) ALWAYS PRESSURIZED
- Ⓠ HOSE ASSY
ROD END (LIFT) ALWAYS PRESSURIZED
- Ⓡ HOSE ASSY 04
CAP END (LIFT)
- Ⓢ HOSE ASSY 03
ROD END (LIFT) ALWAYS PRESSURIZED
- Ⓣ HOSE ASSY 04
CAP END (LIFT)



NOTES:
 FOR CONNECTION CLARITY ONLY THE CYLINDERS ARE SHOWN.
 HOSE Ⓣ IS INCLUDED WITH THE SYNC. CYLINDER.

NOTE: INSTALLATION MUST CONFORM TO GOOD SHOP PRACTICES, SAE STANDARDS, RVIA STANDARDS, AND OTHER APPLICABLE STANDARDS.

AP57628
 ROOM KIT
 DRIVER SIDE