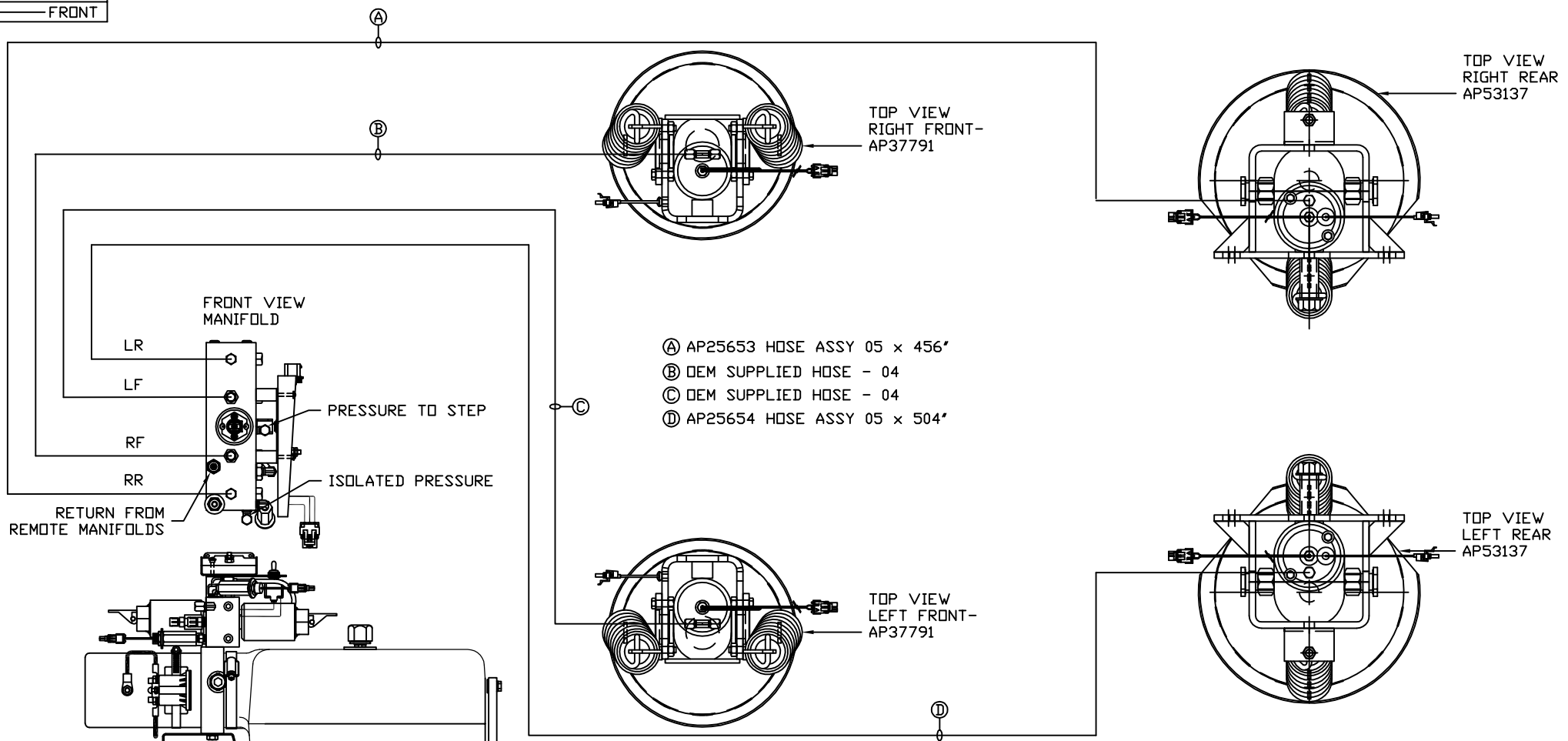
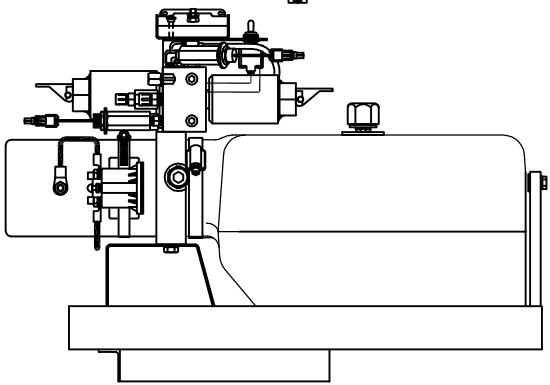
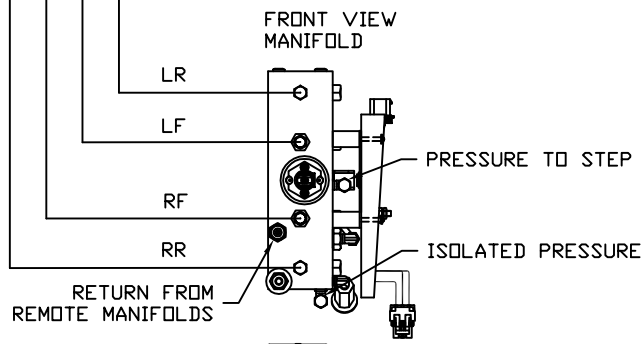


ORIENTATION
← FRONT



- Ⓐ AP25653 HOSE ASSY 05 x 456'
- Ⓑ DEM SUPPLIED HOSE - 04
- Ⓒ DEM SUPPLIED HOSE - 04
- Ⓓ AP25654 HOSE ASSY 05 x 504'



SIDE VIEW PUMP/MANIFOLD-AP59102

LOCATION AND ORIENTATION OF PUMP/MANIFOLD ASSEMBLY WILL DIFFER DEPENDING UPON D.E.M.

NOTE: INSTALLATION MUST CONFORM TO GOOD SHOP PRACTICES, SAE STANDARDS, RVIA STANDARDS, AND OTHER APPLICABLE STANDARDS.

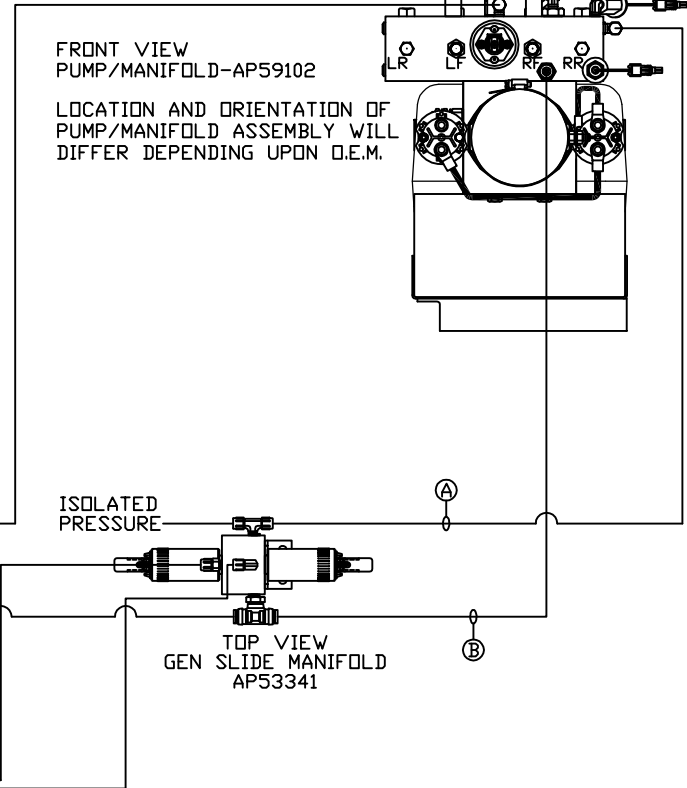
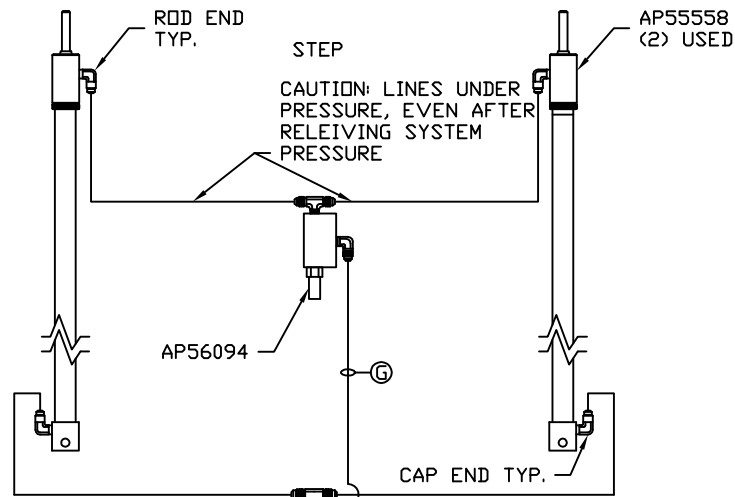
PARTS LIST: PL62320

		HWH I-80 EXIT 267 SOUTH RT 1 MOSCOW, IOWA 52760	
		SCALE 1:6	DATE 27JAN21
		DRAWN BY .	
		HYD CONN DIAGRAM	
NO.	DATE	REVISION	
		THE INFORMATION DISCLOSED ON THIS DRAWING IS CONFIDENTIAL AND MUST NOT BE DISCLOSED OR USED IN ANY MANNER WHICH WILL BE DETRIMENTAL TO THE HWH CORPORATION	
		NEWMAR	DRAWING NUMBER MP71335 A/D

ORIENTATION

← FRONT

- Ⓐ HOSE ASSY 04
PRESSURE
- Ⓑ .375" OD NYLON TUBING
RETURN
- Ⓒ HOSE ASSY 04
ROD END - ALWAYS PRESSURIZED
- Ⓓ HOSE ASSY 04
CAP END
- Ⓔ HOSE ASSY 04
PRESSURE
- Ⓕ .375" OD NYLON TUBING
RETURN
- Ⓖ HOSE ASSY 04
ROD END - ALWAYS PRESSURIZED
- Ⓗ HOSE ASSY 04
CAP END



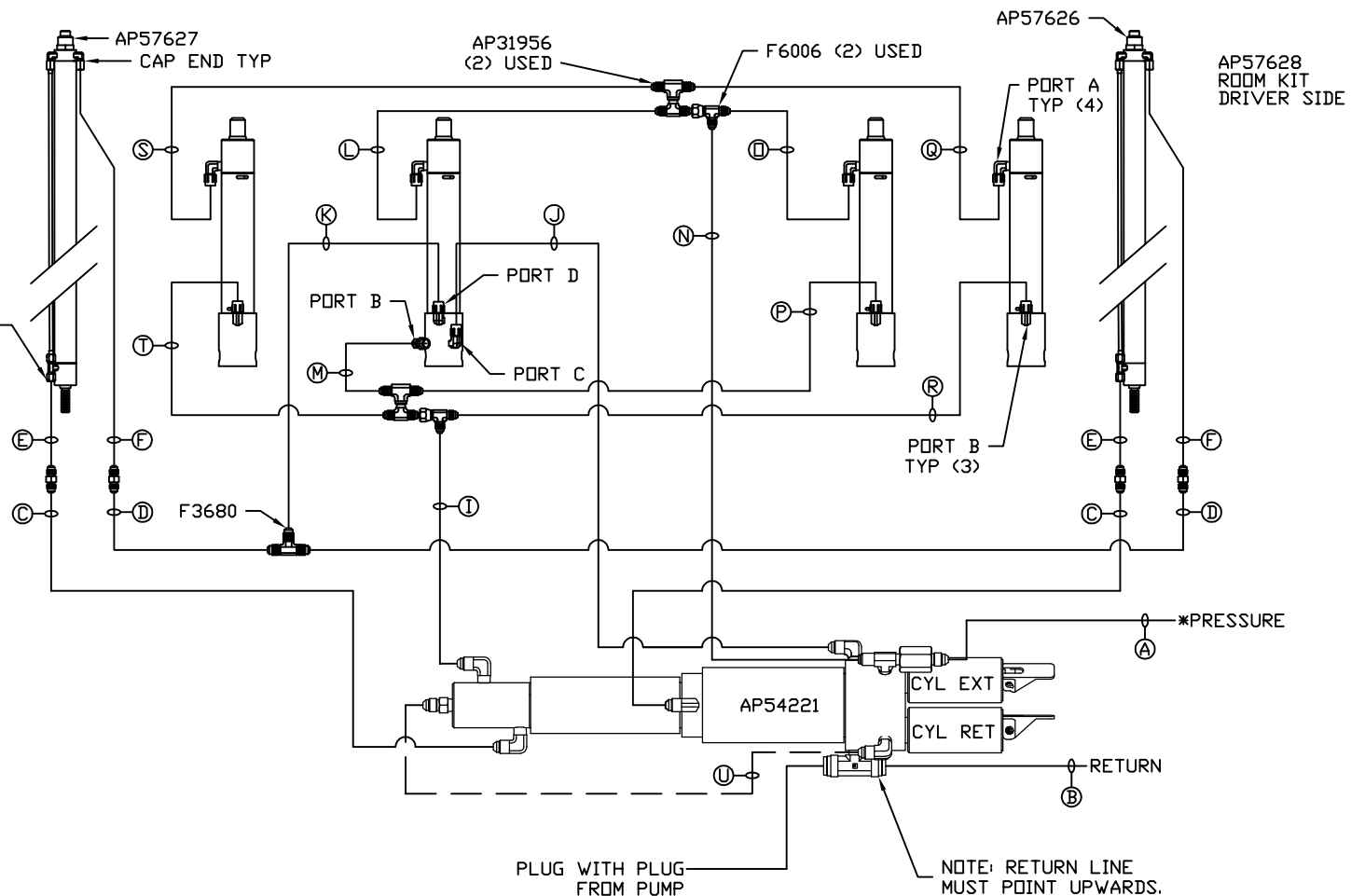
NOTE: INSTALLATION MUST CONFORM TO GOOD SHOP PRACTICES, SAE STANDARDS, RVIA STANDARDS, AND OTHER APPLICABLE STANDARDS.

MP71335 B/D
27 JAN 21

- Ⓐ HOSE ASSY 04 PRESSURE
- Ⓑ .375" OD NYLON TUBING RETURN
- Ⓒ HOSE ASSY 03 ROD END - ALWAYS PRESSURIZED HOSES MUST BE HIGH PRESSURE AND OF EQUAL LENGTH AND DIAMETER
- Ⓓ HOSE ASSY 04 CAP END - HOSES MUST MAINTAIN EQUAL LENGTH AND DIAMETER
- Ⓚ AP HOSE ASSY 04 CAP END (LIFT) WAS AP4060
- Ⓛ HOSE ASSY 04 CAP END (ROOM)
- Ⓜ HOSE ASSY 03 CAP END (ROOM)
- Ⓝ HOSE ASSY 03 ROD END (LIFT) ALWAYS PRESSURIZED
- Ⓟ HOSE ASSY 04 CAP END (LIFT)
- Ⓡ HOSE ASSY 03 ROD END (LIFT) ALWAYS PRESSURIZED
- Ⓢ HOSE ASSY 04 ROD END (LIFT) ALWAYS PRESSURIZED
- Ⓣ HOSE ASSY 04 CAP END (LIFT)
- Ⓤ HOSE ASSY 03 ROD END (LIFT) ALWAYS PRESSURIZED
- Ⓡ HOSE ASSY 04 CAP END (LIFT)
- Ⓢ HOSE ASSY 03 ROD END (LIFT) ALWAYS PRESSURIZED
- Ⓣ HOSE ASSY 04 CAP END (LIFT)
- Ⓤ HOSE ASSY 03 ROD END (LIFT) ALWAYS PRESSURIZED
- Ⓡ HOSE ASSY 04 CAP END (LIFT)
- Ⓢ HOSE ASSY 03 ROD END (LIFT) ALWAYS PRESSURIZED
- Ⓣ HOSE ASSY 04 CAP END (LIFT)
- Ⓤ HOSE ASSY 03 ROD END (LIFT) ALWAYS PRESSURIZED
- Ⓡ HOSE ASSY 04 CAP END (LIFT)
- Ⓢ HOSE ASSY 03 ROD END (LIFT) ALWAYS PRESSURIZED
- Ⓣ HOSE ASSY 04 CAP END (LIFT)
- Ⓤ HOSE ASSY 03 ROD END (LIFT) ALWAYS PRESSURIZED

NOTES:

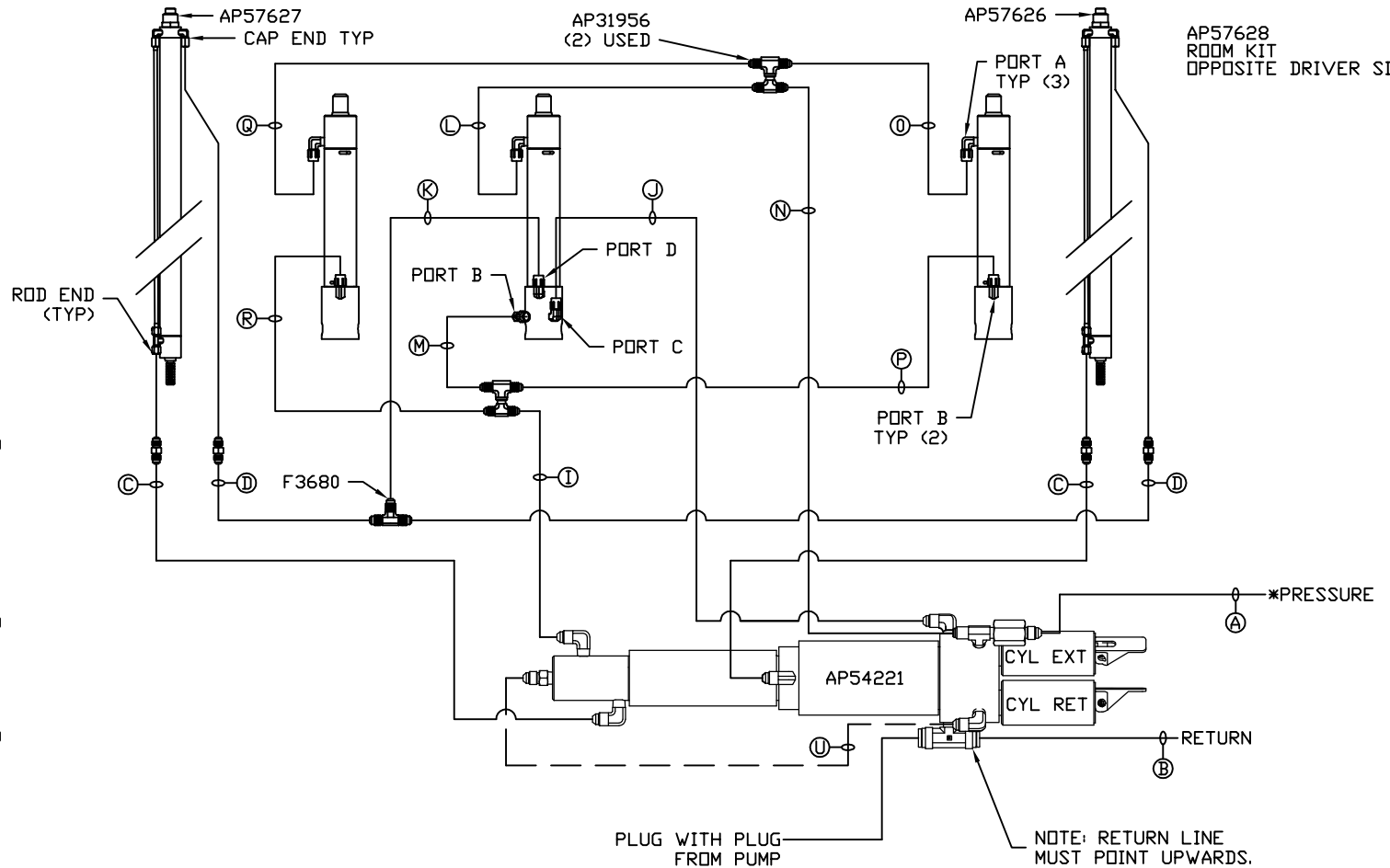
FOR CONNECTION CLARITY ONLY THE CYLINDERS ARE SHOWN.
 HOSE Ⓢ IS INCLUDED WITH THE SYNC. CYLINDER.



*NOTE: ISOLATED PRESSURE IF AVAILABLE, SEE LEVELING SYSTEM DIAGRAM

NOTE: INSTALLATION MUST CONFORM TO GOOD SHOP PRACTICES, SAE STANDARDS, RVIA STANDARDS, AND OTHER APPLICABLE STANDARDS.

- Ⓐ HOSE ASSY 04
PRESSURE
- Ⓑ .375" OD NYLON TUBING
RETURN
- Ⓒ HOSE ASSY 03
ROD END - ALWAYS PRESSURIZED
HOSES MUST BE HIGH PRESSURE
AND OF EQUAL LENGTH AND DIAMETER
- Ⓓ HOSE ASSY 04
CAP END - HOSES MUST MAINTAIN
EQUAL LENGTH AND DIAMETER
- Ⓛ HOSE ASSY 04
CAP END (LIFT) WAS AP4060
- Ⓜ HOSE ASSY 04
CAP END (ROOM)
- Ⓚ HOSE ASSY 03
CAP END (ROOM)
- Ⓛ HOSE ASSY 03
ROD END (LIFT) ALWAYS PRESSURIZED
- Ⓜ HOSE ASSY 04
CAP END (LIFT)
- Ⓝ HOSE ASSY 03
ROD END (LIFT) ALWAYS PRESSURIZED
- Ⓝ HOSE ASSY 03
ROD END (LIFT) ALWAYS PRESSURIZED
- Ⓟ HOSE ASSY 04
CAP END (LIFT)
- Ⓠ HOSE ASSY 03
ROD END (LIFT) ALWAYS PRESSURIZED
- Ⓡ HOSE ASSY 04
CAP END (LIFT)



NOTES:

FOR CONNECTION CLARITY ONLY THE CYLINDERS ARE SHOWN.

HOSE Ⓛ IS INCLUDED WITH THE SYNC. CYLINDER.

*NOTE: ISOLATED PRESSURE IF AVAILABLE, SEE LEVELING SYSTEM DIAGRAM

NOTE: INSTALLATION MUST CONFORM TO GOOD SHOP PRACTICES, SAE STANDARDS, RVIA STANDARDS, AND OTHER APPLICABLE STANDARDS.

MP71335 D/D
27 JAN21