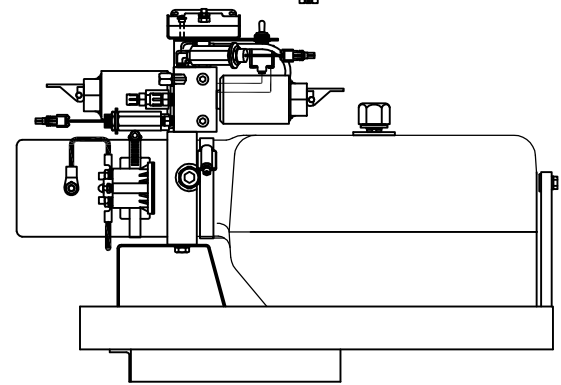
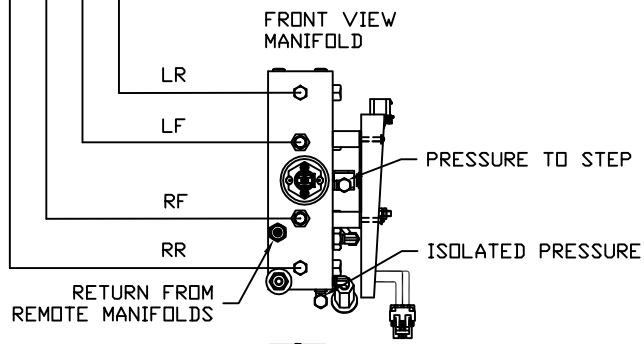
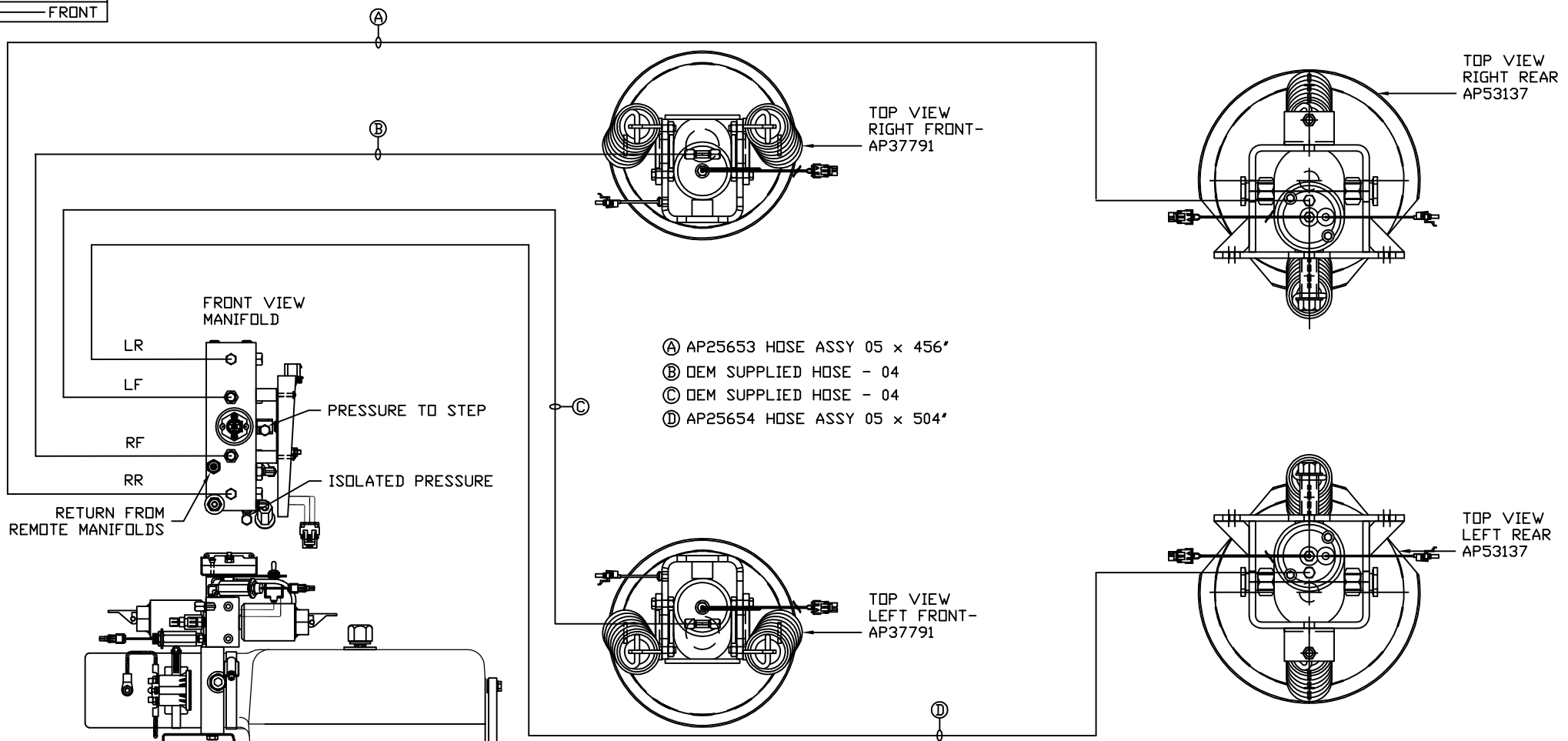


ORIENTATION  
← FRONT



- Ⓐ AP25653 HOSE ASSY 05 x 456'
- Ⓑ DEM SUPPLIED HOSE - 04
- Ⓒ DEM SUPPLIED HOSE - 04
- Ⓓ AP25654 HOSE ASSY 05 x 504'

SIDE VIEW PUMP/MANIFOLD-AP59102

LOCATION AND ORIENTATION OF PUMP/MANIFOLD ASSEMBLY WILL DIFFER DEPENDING UPON D.E.M.

NOTE: INSTALLATION MUST CONFORM TO GOOD SHOP PRACTICES, SAE STANDARDS, RVIA STANDARDS, AND OTHER APPLICABLE STANDARDS.

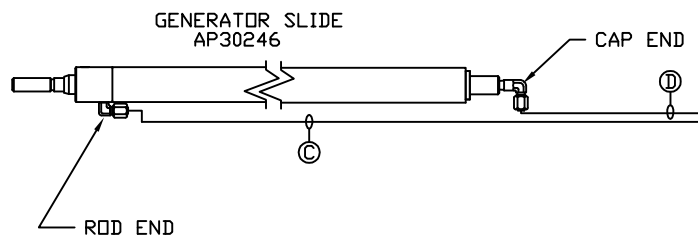
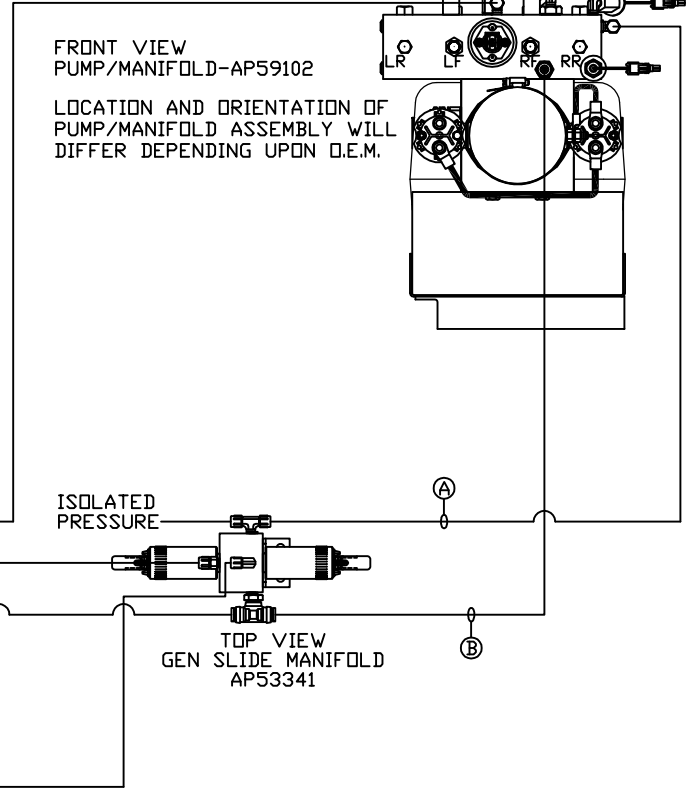
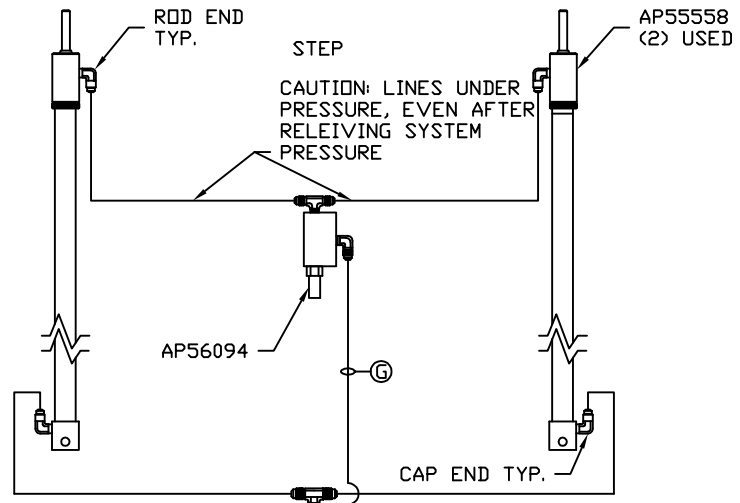
PARTS LIST: PL62324

		HWH I-80 EXIT 267 SOUTH RT 1 MOSCOW, IOWA 52760	
		SCALE 1:6	DATE 27JAN21
		DRAWN BY .	
		HYD CONN DIAGRAM	
NO.	DATE	REVISION	
		THE INFORMATION DISCLOSED ON THIS DRAWING IS CONFIDENTIAL AND MUST NOT BE DISCLOSED OR USED IN ANY MANNER WHICH WILL BE DETRIMENTAL TO THE HWH CORPORATION	
		NEWMAR	DRAWING NUMBER MP71339 A/C

**ORIENTATION**

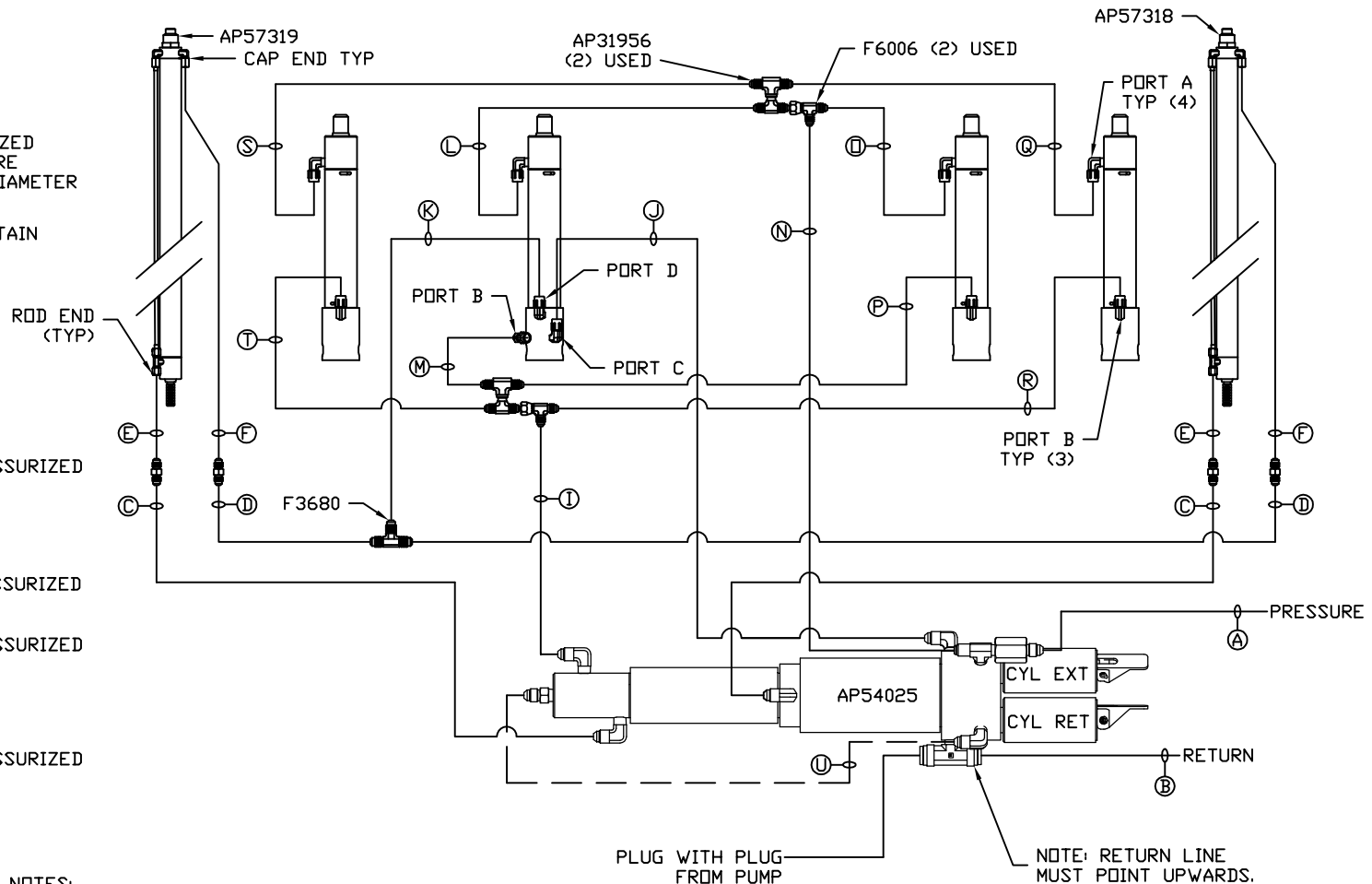
← FRONT

- Ⓐ HOSE ASSY 04  
PRESSURE
- Ⓑ .375" OD NYLON TUBING  
RETURN
- Ⓒ HOSE ASSY 04  
ROD END - ALWAYS PRESSURIZED
- Ⓓ HOSE ASSY 04  
CAP END
- Ⓔ HOSE ASSY 04  
PRESSURE
- Ⓕ .375" OD NYLON TUBING  
RETURN
- Ⓖ HOSE ASSY 04  
ROD END - ALWAYS PRESSURIZED
- Ⓗ HOSE ASSY 04  
CAP END



NOTE: INSTALLATION MUST CONFORM TO GOOD SHOP PRACTICES, SAE STANDARDS, RVIA STANDARDS, AND OTHER APPLICABLE STANDARDS.

- Ⓐ HOSE ASSY 04  
PRESSURE
- Ⓑ .375" OD NYLON TUBING  
RETURN
- Ⓒ HOSE ASSY 03  
ROD END - ALWAYS PRESSURIZED  
HOSES MUST BE HIGH PRESSURE  
AND OF EQUAL LENGTH AND DIAMETER
- Ⓓ HOSE ASSY 04  
CAP END - HOSES MUST MAINTAIN  
EQUAL LENGTH AND DIAMETER
- Ⓚ AP HOSE ASSY 04  
CAP END (LIFT)
- Ⓛ HOSE ASSY 04  
CAP END (ROOM)
- Ⓜ HOSE ASSY 03  
CAP END (ROOM)
- Ⓝ HOSE ASSY 03  
ROD END (LIFT) ALWAYS PRESSURIZED
- Ⓞ HOSE ASSY 04  
CAP END (LIFT)
- Ⓟ HOSE ASSY 03  
ROD END (LIFT) ALWAYS PRESSURIZED
- Ⓠ HOSE ASSY  
ROD END (LIFT) ALWAYS PRESSURIZED
- Ⓡ HOSE ASSY 04  
CAP END (LIFT)
- Ⓢ HOSE ASSY 03  
ROD END (LIFT) ALWAYS PRESSURIZED
- Ⓣ HOSE ASSY 04  
CAP END (LIFT)



AP57320  
ROOM KIT  
DRIVER SIDE

NOTES:  
FOR CONNECTION CLARITY ONLY THE CYLINDERS ARE  
SHOWN.  
HOSE Ⓣ IS INCLUDED WITH THE SYNC. CYLINDER.

NOTE: INSTALLATION MUST CONFORM TO GOOD SHOP PRACTICES, SAE  
STANDARDS, RVIA STANDARDS, AND OTHER APPLICABLE STANDARDS.

MP71339 C/C  
27 JAN 21