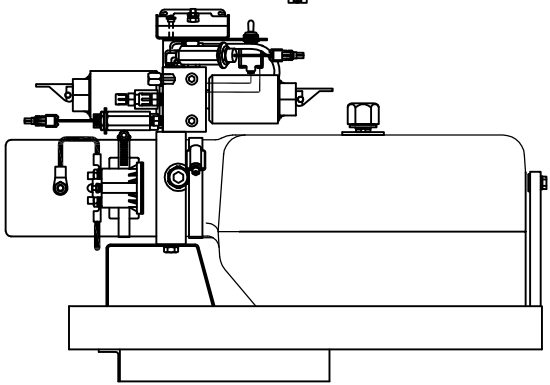
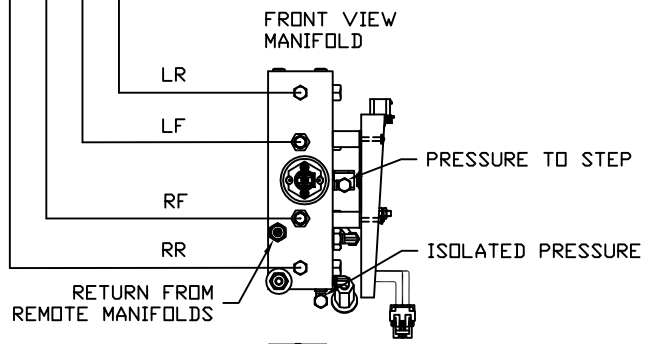
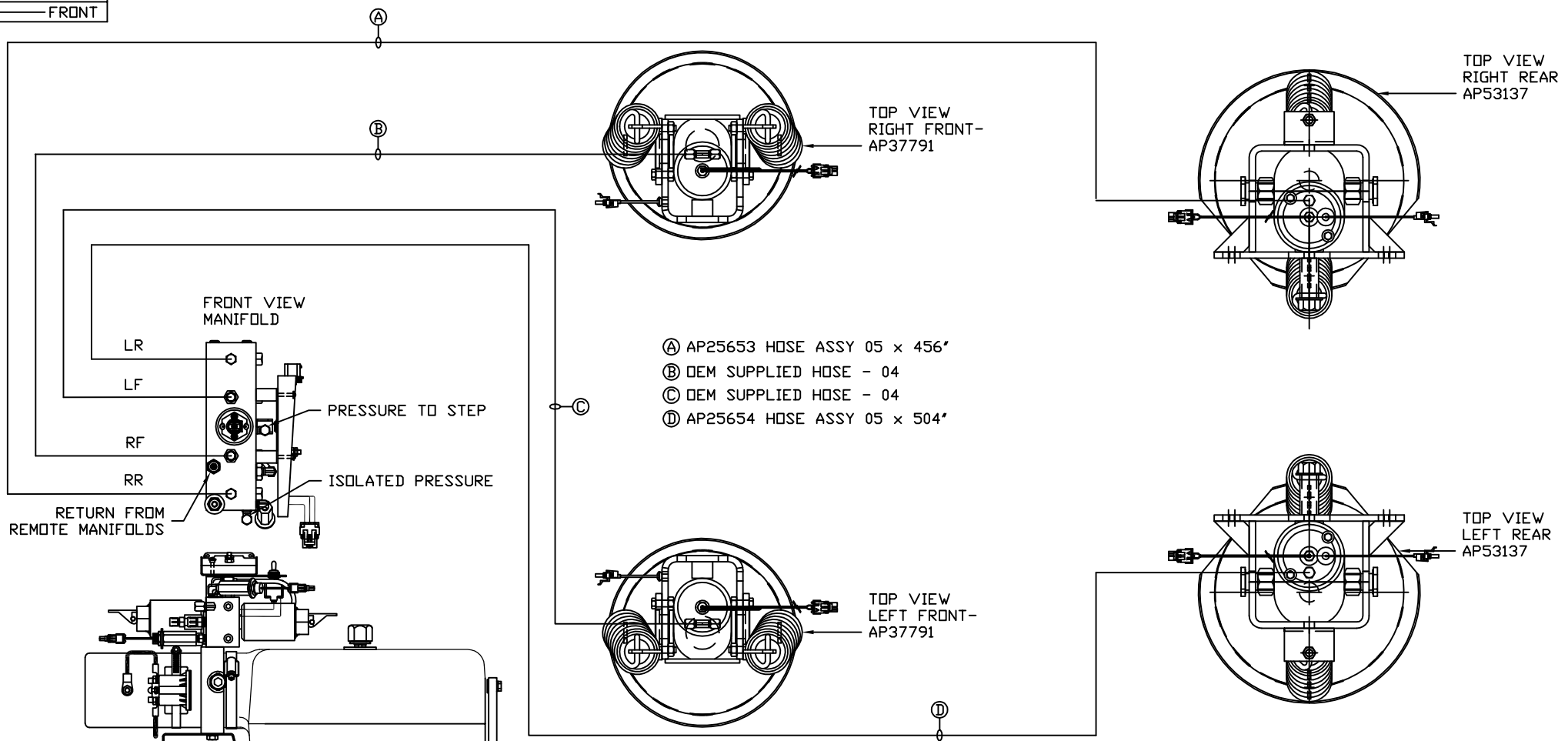


ORIENTATION  
← FRONT



SIDE VIEW PUMP/MANIFOLD-AP59102

LOCATION AND ORIENTATION OF PUMP/MANIFOLD ASSEMBLY WILL DIFFER DEPENDING UPON D.E.M.

NOTE: INSTALLATION MUST CONFORM TO GOOD SHOP PRACTICES, SAE STANDARDS, RVIA STANDARDS, AND OTHER APPLICABLE STANDARDS.

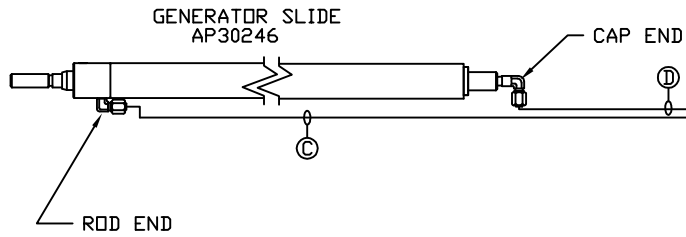
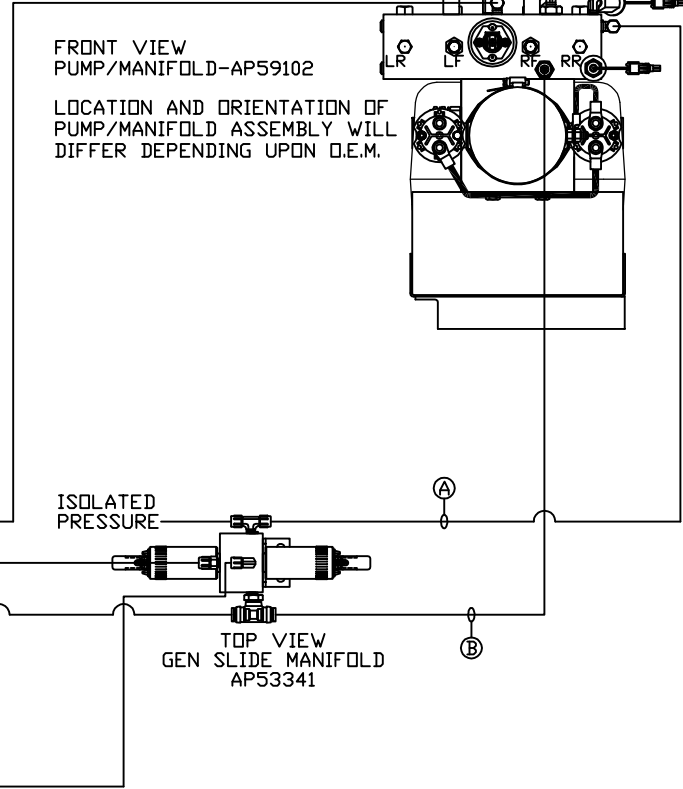
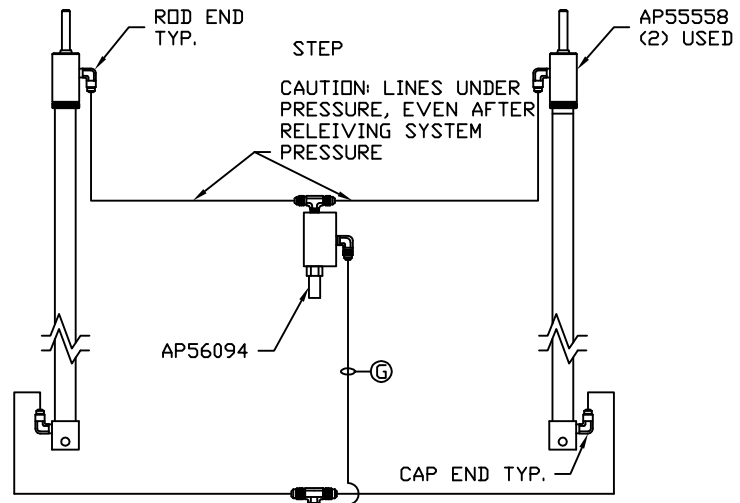
PARTS LIST: PL62327

		HWH		I-80 EXIT 267 SOUTH RT 1 MOSCOW, IOWA 52760	
		SCALE 1:6	DATE 27JAN21	DRAWN BY .	
		HYD CONN DIAGRAM			
NO.	DATE	REVISION			
		NEWMAR		DRAWING NUMBER MP71342 A/C	
THE INFORMATION DISCLOSED ON THIS DRAWING IS CONFIDENTIAL AND MUST NOT BE DISCLOSED OR USED IN ANY MANNER WHICH WILL BE DETRIMENTAL TO THE HWH CORPORATION					

**ORIENTATION**

← FRONT

- Ⓐ HOSE ASSY 04  
PRESSURE
- Ⓑ .375" OD NYLON TUBING  
RETURN
- Ⓒ HOSE ASSY 04  
ROD END - ALWAYS PRESSURIZED
- Ⓓ HOSE ASSY 04  
CAP END
- Ⓔ HOSE ASSY 04  
PRESSURE
- Ⓕ .375" OD NYLON TUBING  
RETURN
- Ⓖ HOSE ASSY 04  
ROD END - ALWAYS PRESSURIZED
- Ⓗ HOSE ASSY 04  
CAP END



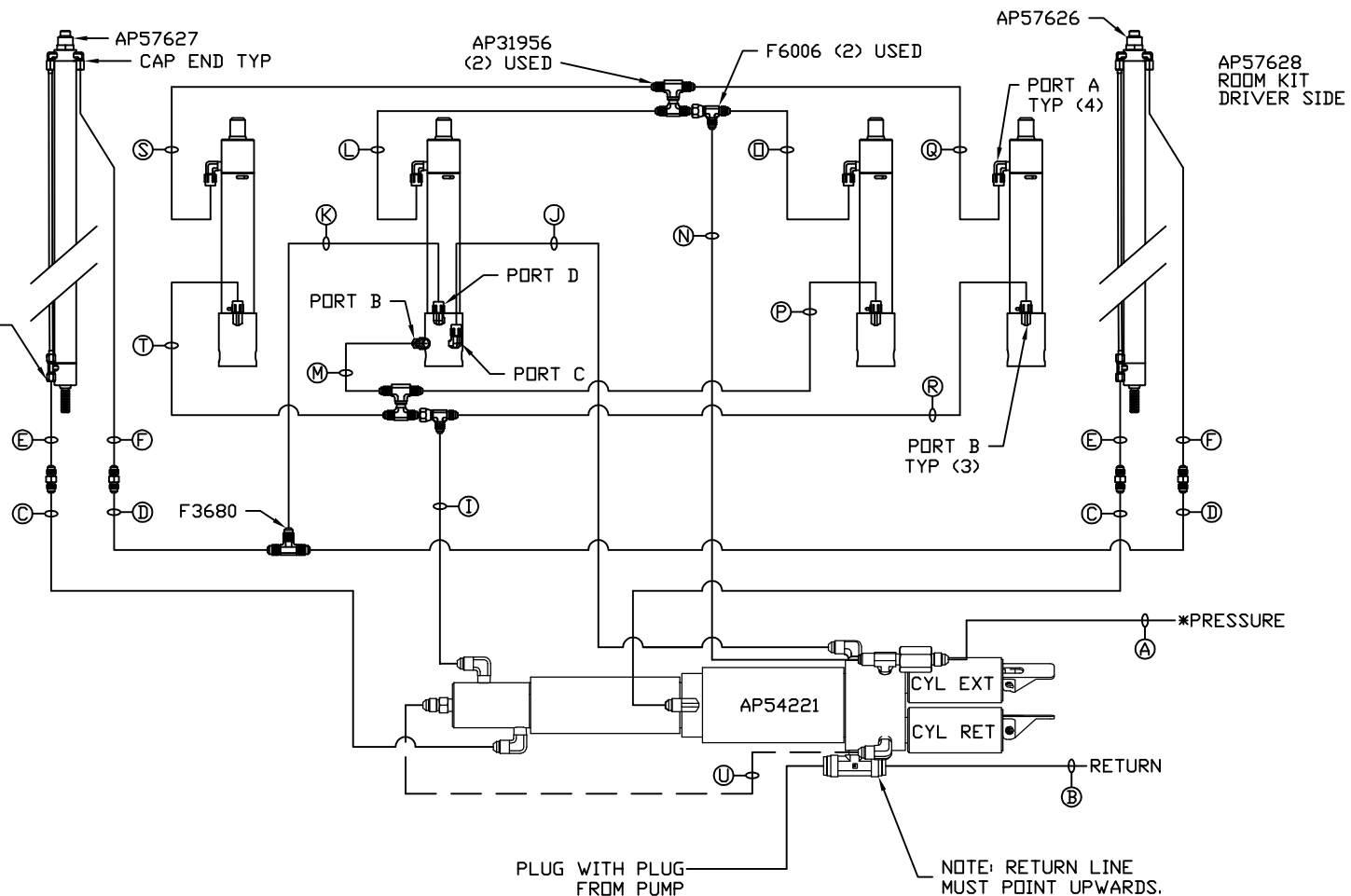
NOTE: INSTALLATION MUST CONFORM TO GOOD SHOP PRACTICES, SAE STANDARDS, RVIA STANDARDS, AND OTHER APPLICABLE STANDARDS.

MP71342 B/C  
27 JAN 21

- Ⓐ HOSE ASSY 04 PRESSURE
- Ⓑ .375" OD NYLON TUBING RETURN
- Ⓒ HOSE ASSY 03 ROD END - ALWAYS PRESSURIZED HOSES MUST BE HIGH PRESSURE AND OF EQUAL LENGTH AND DIAMETER
- Ⓓ HOSE ASSY 04 CAP END - HOSES MUST MAINTAIN EQUAL LENGTH AND DIAMETER
- Ⓣ AP HOSE ASSY 04 CAP END (LIFT) WAS AP4060
- Ⓝ HOSE ASSY 04 CAP END (ROOM)
- Ⓚ HOSE ASSY 03 CAP END (ROOM)
- Ⓛ HOSE ASSY 03 ROD END (LIFT) ALWAYS PRESSURIZED
- Ⓜ HOSE ASSY 04 CAP END (LIFT)
- Ⓝ HOSE ASSY 03 ROD END (LIFT) ALWAYS PRESSURIZED
- Ⓟ HOSE ASSY ROD END (LIFT) ALWAYS PRESSURIZED
- Ⓟ HOSE ASSY 04 CAP END (LIFT)
- Ⓠ HOSE ASSY 03 ROD END (LIFT) ALWAYS PRESSURIZED
- Ⓡ HOSE ASSY 04 CAP END (LIFT)
- Ⓢ HOSE ASSY 03 ROD END (LIFT) ALWAYS PRESSURIZED
- Ⓡ HOSE ASSY 04 CAP END (LIFT)

NOTES:

FOR CONNECTION CLARITY ONLY THE CYLINDERS ARE SHOWN.  
 HOSE Ⓡ IS INCLUDED WITH THE SYNC. CYLINDER.



\*NOTE: ISOLATED PRESSURE IF AVAILABLE, SEE LEVELING SYSTEM DIAGRAM

NOTE: INSTALLATION MUST CONFORM TO GOOD SHOP PRACTICES, SAE STANDARDS, RVIA STANDARDS, AND OTHER APPLICABLE STANDARDS.