

MP88.239A
26MAY98

1	04NOV98	NEW WIRE STANDARDS
NO.	DATE	REVISION
THE INFORMATION DISCLOSED ON THIS DRAWING IS CONFIDENTIAL AND MUST NOT BE DISCLOSED OR USED IN ANY MANNER WHICH WILL BE DETRIMENTAL TO THE HWH CORPORATION		

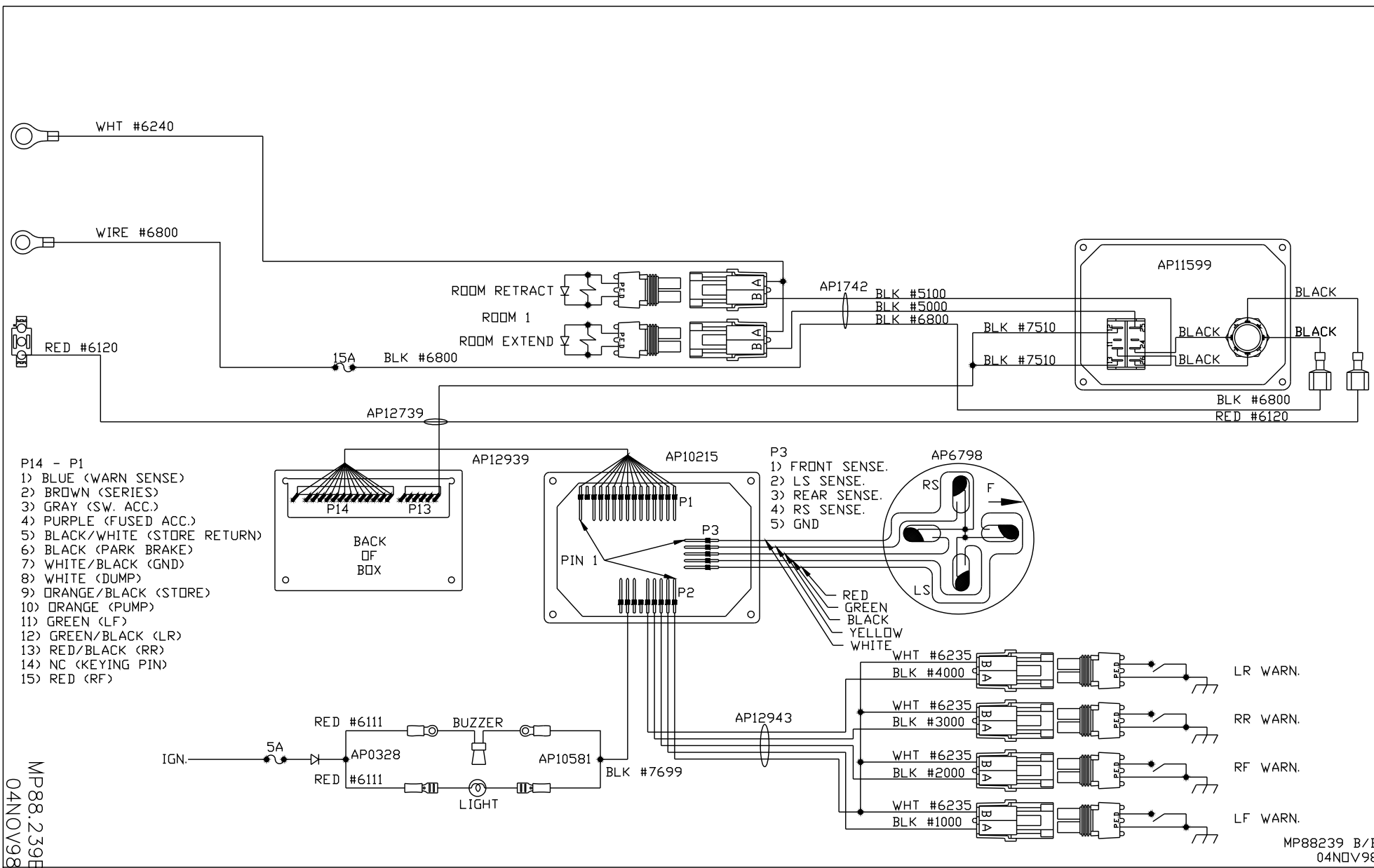
HWH I-80 EXIT 267 SOUTH
RT 1 MOSCOW, IOWA 52760

SCALE 1:2 DATE 26MAY98 DRAWN BY .

SCHEMATIC SYSTEM

ELECTRICAL

DRAWING NUMBER
MP88239 A/B



- P14 - P1
- 1) BLUE (WARN SENSE)
 - 2) BROWN (SERIES)
 - 3) GRAY (SW. ACC.)
 - 4) PURPLE (FUSED ACC.)
 - 5) BLACK/WHITE (STORE RETURN)
 - 6) BLACK (PARK BRAKE)
 - 7) WHITE/BLACK (GND)
 - 8) WHITE (DUMP)
 - 9) ORANGE/BLACK (STORE)
 - 10) ORANGE (PUMP)
 - 11) GREEN (LF)
 - 12) GREEN/BLACK (LR)
 - 13) RED/BLACK (RR)
 - 14) NC (KEYING PIN)
 - 15) RED (RF)