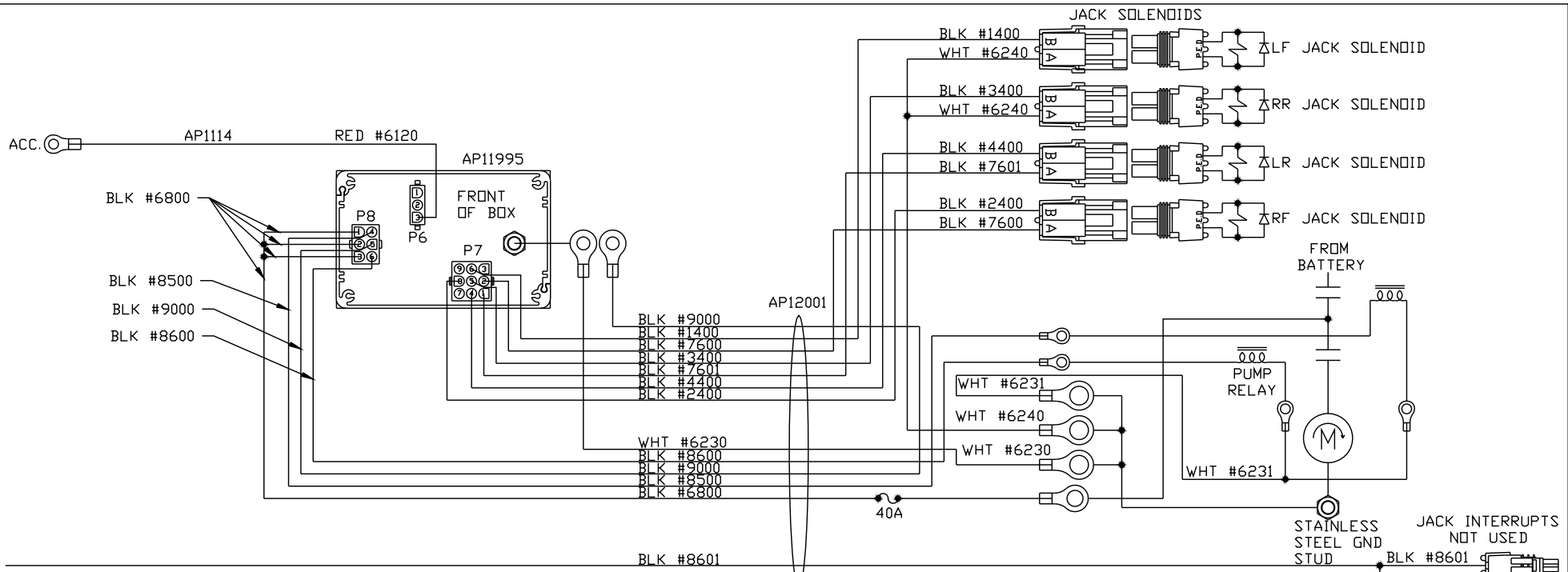


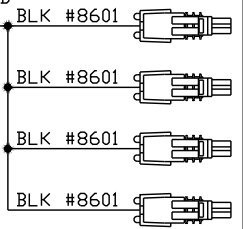
		HWH		I-80 EXIT 267 SOUTH RT 1 MOSCOW, IOWA 52760	
		SCALE 1:2	DATE 17AUG00	DRAWN BY .	
		SCHEMATIC SYSTEM			
		ELECTRICAL			
		DRAWING NUMBER		MP88641 A/B	

MP88.641A
 17AUG00

THE INFORMATION DISCLOSED ON THIS DRAWING IS CONFIDENTIAL AND MUST NOT BE DISCLOSED OR USED IN ANY MANNER WHICH WILL BE DETRIMENTAL TO THE HWH CORPORATION



- | | |
|-----------------|----------------------|
| P6 | P7 |
| 1) NC | 1) LR SERIES RETRACT |
| 2) NC | 2) SERIES RETRACT |
| 3) ACC. | 3) NC |
| P8 | 4) LR SOLENOID |
| 1) SW. BATT. | 5) RR SOLENOID |
| 2) SW. BATT. | 6) LF SOLENOID |
| 3) SW. BATT. | 7) NC |
| 4) MASTER RELAY | 8) RF SOLENOID |
| 5) PARK BRAKE | 9) NC |
| 6) PUMP RELAY | |



MP88.641B
 17AUG00

MP88641 B/B
 17AUG00