

- P6  
 1 NC  
 2 NC  
 3 ACCESSORY (W6120)

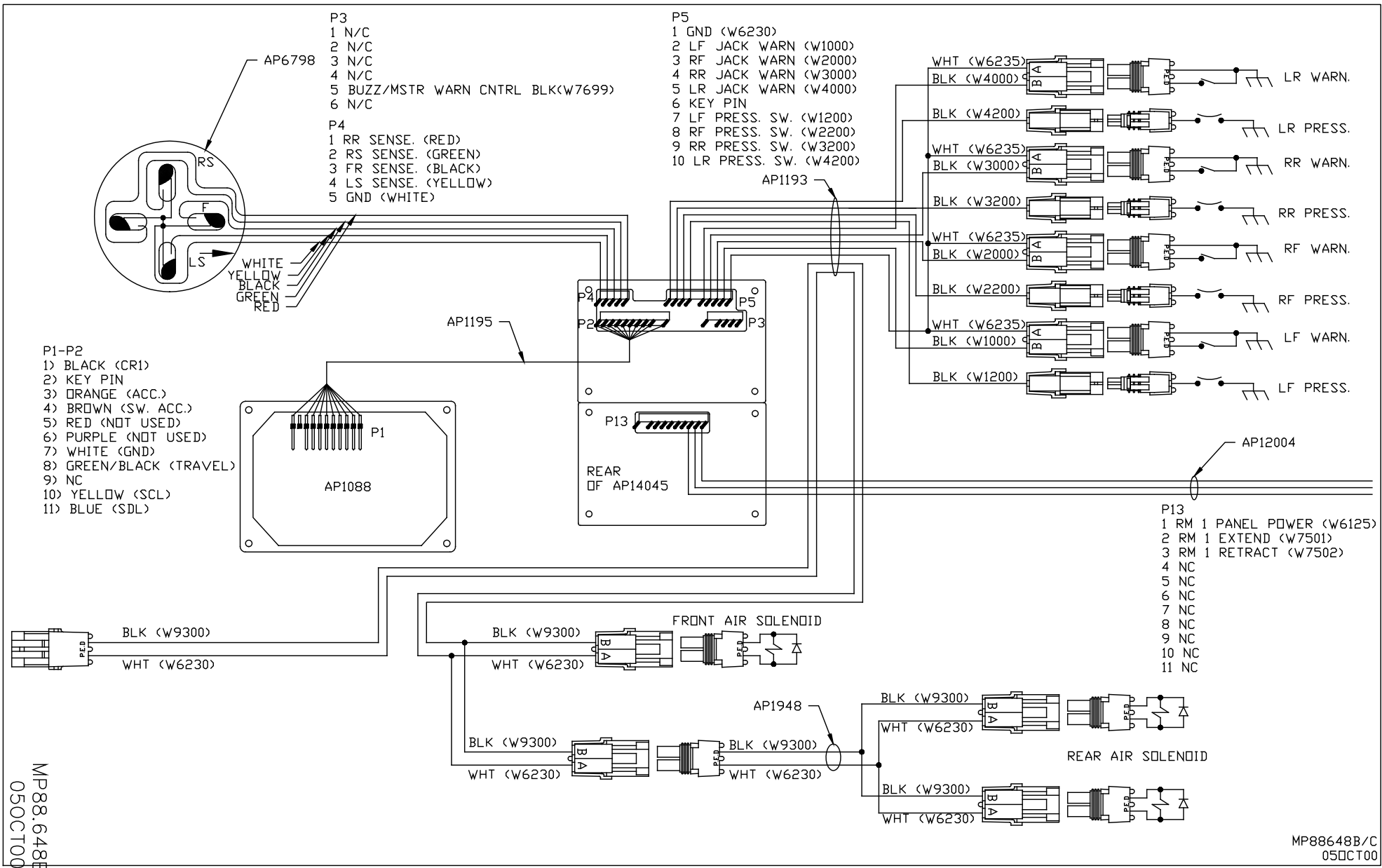
- P7  
 1 LR SERIES RETRACT (W7601)  
 2 SERIES RETRACT (W7600)  
 3 SYSTEM PRESS. SW. (W8100)  
 4 LR SOLENOID (W4400)  
 5 RR SOLENOID (W3400)  
 6 LF SOLENOID (W1400)  
 7 NC  
 8 RF SOLENOID (W2400)  
 9 DUMP VALVE (W9300)

- P8  
 1 SW. BATT. (W6800)  
 2 SW. BATT. (W6800)  
 3 SW. BATT. (W6800)  
 4 MASTER RELAY (W8500)  
 5 NC  
 6 PUMP RELAY (W8600)

- P7'  
 1 NC  
 2 NC  
 3 NC  
 4 RM 1 EXTEND (W5000)  
 5 NC  
 6 NC  
 7 RM 1 RETRACT (W5100)  
 8 NC  
 9 NC

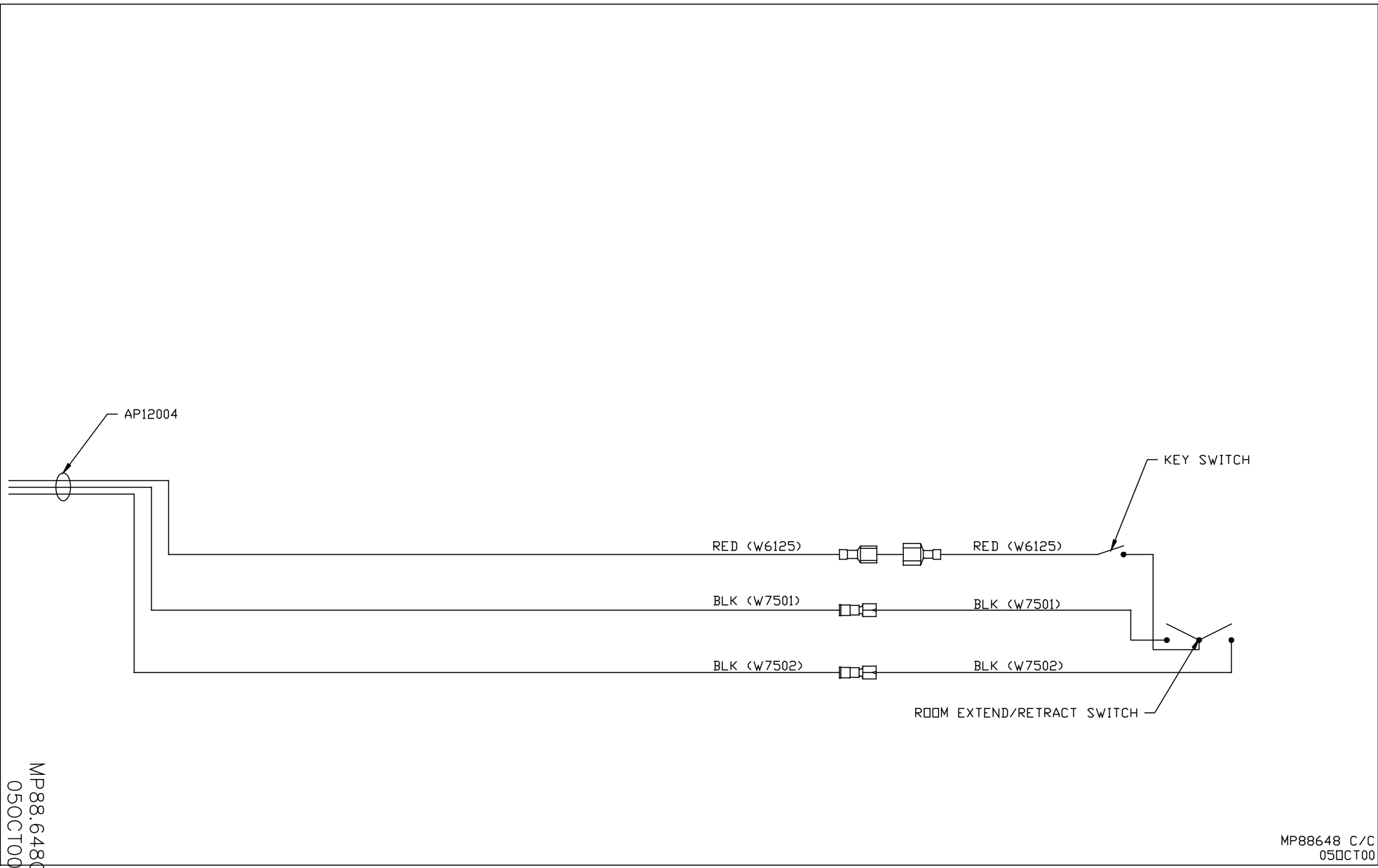
MP88:648A  
05OCT00

		HWH		I-80 EXIT 267 SOUTH RT 1 MOSCOW, IOWA 52760	
		SCALE 1:2	DATE 05OCT00	DRAWN BY .	
		SCHEMATIC SYSTEM			
NO.	DATE	REVISION			
THE INFORMATION DISCLOSED ON THIS DRAWING IS CONFIDENTIAL AND MUST NOT BE DISCLOSED OR USED IN ANY MANNER WHICH WILL BE DETRIMENTAL TO THE HWH CORPORATION				DRAWING NUMBER MP88648 A/C	



MP88:648B  
05OCT00

MP88648B/C  
05OCT00



MP88:648C  
05OCT00

MP88648 C/C  
05OCT00