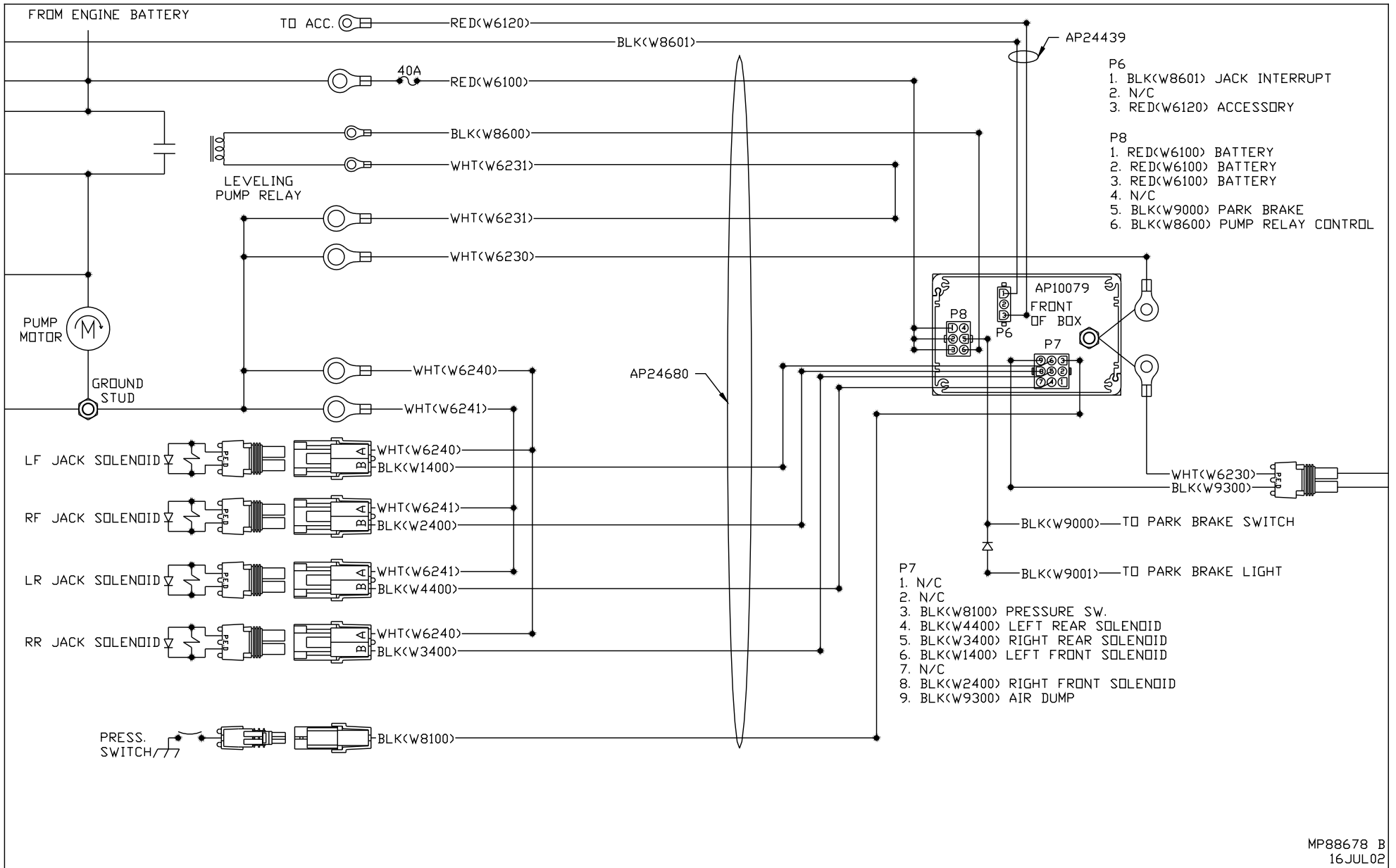


			HWH I-80 EXIT 267 SOUTH RT 1 MOSCOW, IOWA 52760		
			SCALE 1:2	DATE 16 JUL 02	DRAWN BY .
			SYSTEM SCHEMATIC ELEC		
NO.	DATE	REVISION			
THE INFORMATION DISCLOSED ON THIS DRAWING IS CONFIDENTIAL AND MUST NOT BE DISCLOSED OR USED IN ANY MANNER WHICH WILL BE DETRIMENTAL TO THE HWH CORPORATION			DRAWING NUMBER MP88678 A/C		



- P12-P1
1. BLUE
 2. BROWN
 3. GRAY
 4. PURPLE
 5. BLACK/WHITE
 6. BLACK
 7. WHITE/BLACK
 8. WHITE
 9. ORANGE/BLACK
 10. ORANGE
 11. GREEN/BLACK
 12. GREEN
 13. RED/BLACK
 14. KEYING PIN
 15. RED

- P3
1. REAR SENSE (RED)
 2. RIGHT SIDE SENSE (GREEN)
 3. FRONT SENSE (BLACK)
 4. LEFT SIDE SENSE (YELLOW)
 5. GROUND (WHITE)

- P2
1. BLK(W4000) LEFT REAR WARNING SW.
 2. BLK(W3000) RIGHT REAR WARNING SW.
 3. BLK(W2000) RIGHT FRONT WARNING SW.
 4. BLK(W1000) LEFT FRONT WARNING SW.
 5. WHT(W6235) GROUND
 6. KEY PIN
 7. N/C
 8. BLK(W7699) WARNING LIGHT CONTROL
 9. N/C

