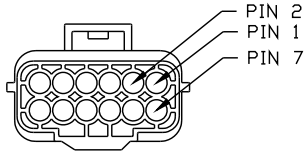


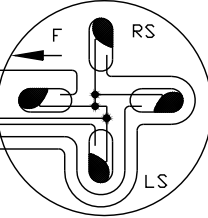
TO VALVE ASSEMBLY



- PIN  
 1) FRONT SENSE (RED)  
 2) GROUND (WHITE)  
 3) NC  
 4) LEFT SIDE (YELLOW)  
 5) REAR (BLACK)  
 6) RIGHT SIDE (GREEN)

PIN 1  
 PIN 6

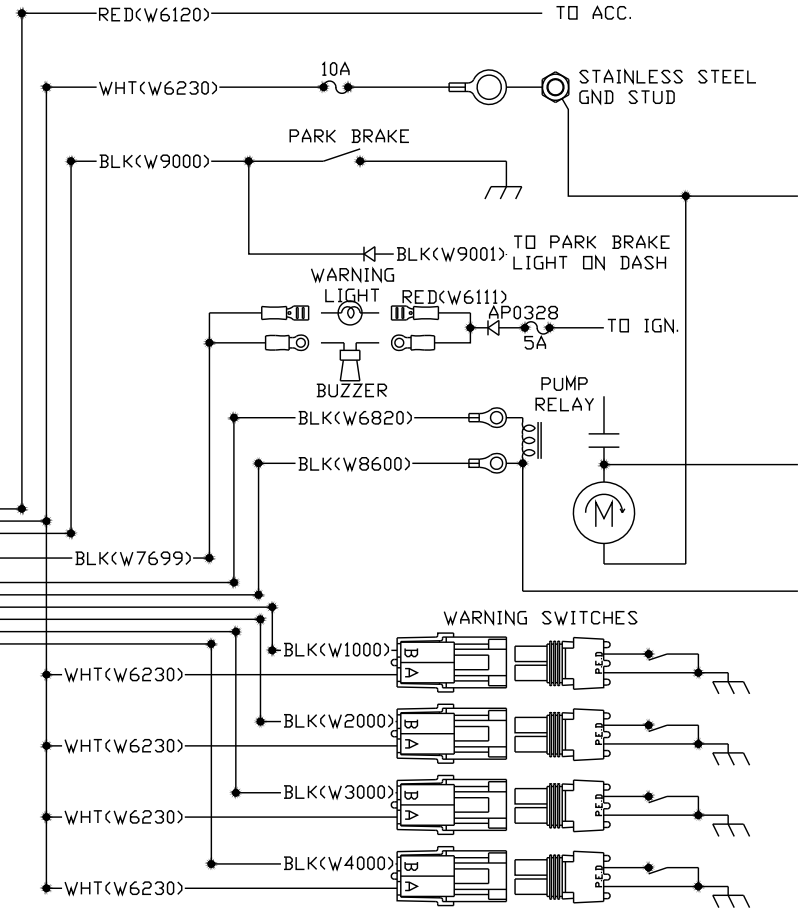
AP13043  
 SENSING UNIT



PIN 1  
 PIN 12

AP23245  
 HARNESS

- PIN  
 1. RED(W6120) ACCESSORY  
 2. WHT(W6230) GROUND  
 3. BLK(W9000) PARK BRAKE  
 4. N/C  
 5. BLK(W7699) MASTER WARNING LIGHT/BUZZER  
 6. N/C  
 7. BLK(W6820) PUMP RELAY SUPPLY  
 8. BLK(W8600) PUMP RELAY CONTROL  
 9. BLK(W1000) LF WARNING SWITCH  
 10. BLK(W2000) RF WARNING SWITCH  
 11. BLK(W3000) RR WARNING SWITCH  
 12. BLK(W4000) LR WARNING SWITCH



		HWH I-80 EXIT 267 SOUTH RT 1 MOSCOW, IOWA 52760	
		SCALE 1:2	DATE 22OCT01
		DRAWN BY .	
		SYSTEM SCHEMATIC ELEC	
NO.	DATE	REVISION	
THE INFORMATION DISCLOSED ON THIS DRAWING IS CONFIDENTIAL AND MUST NOT BE DISCLOSED OR USED IN ANY MANNER WHICH WILL BE DETRIMENTAL TO THE HWH CORPORATION		DRAWING NUMBER MP88725 A/B	

