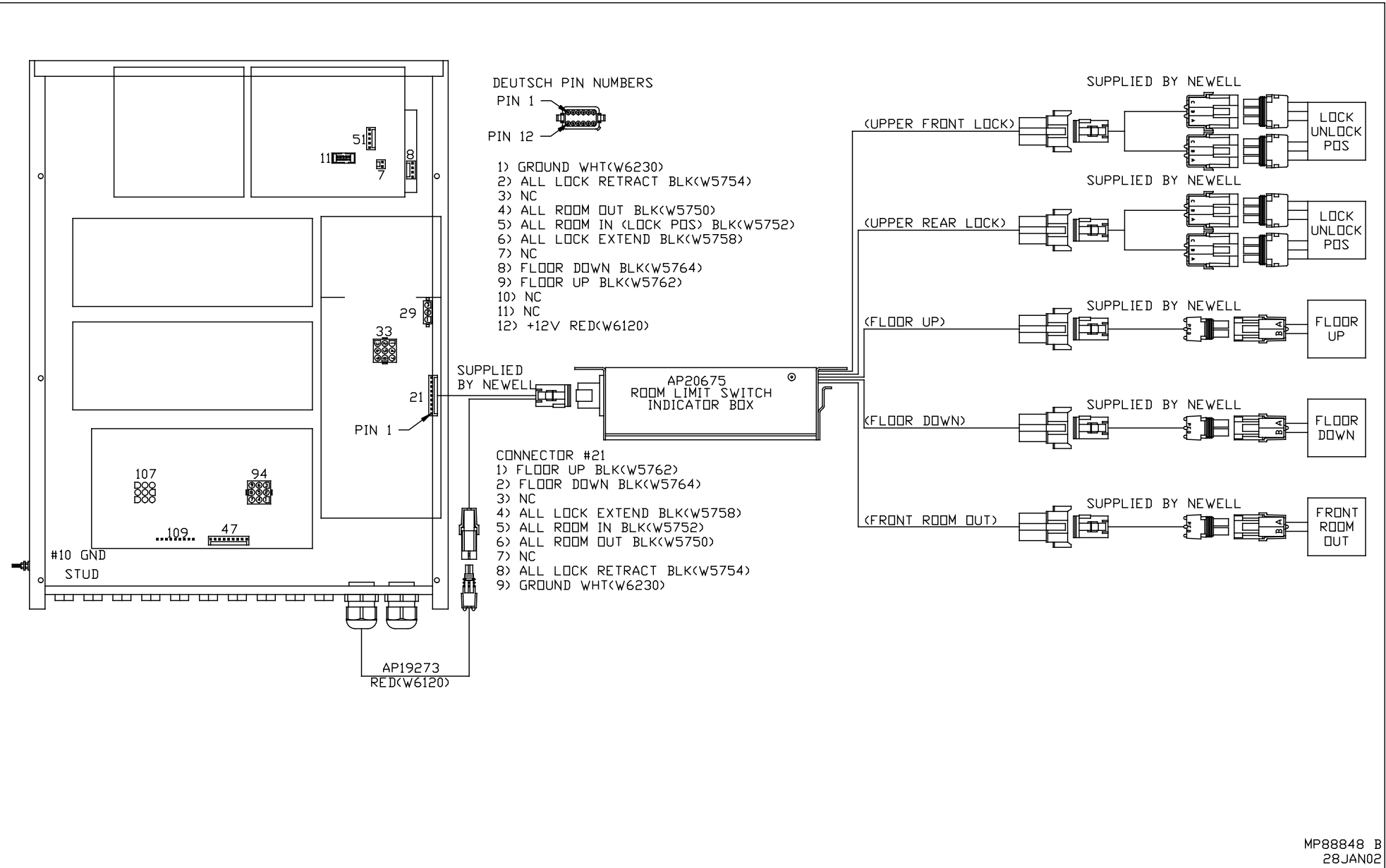
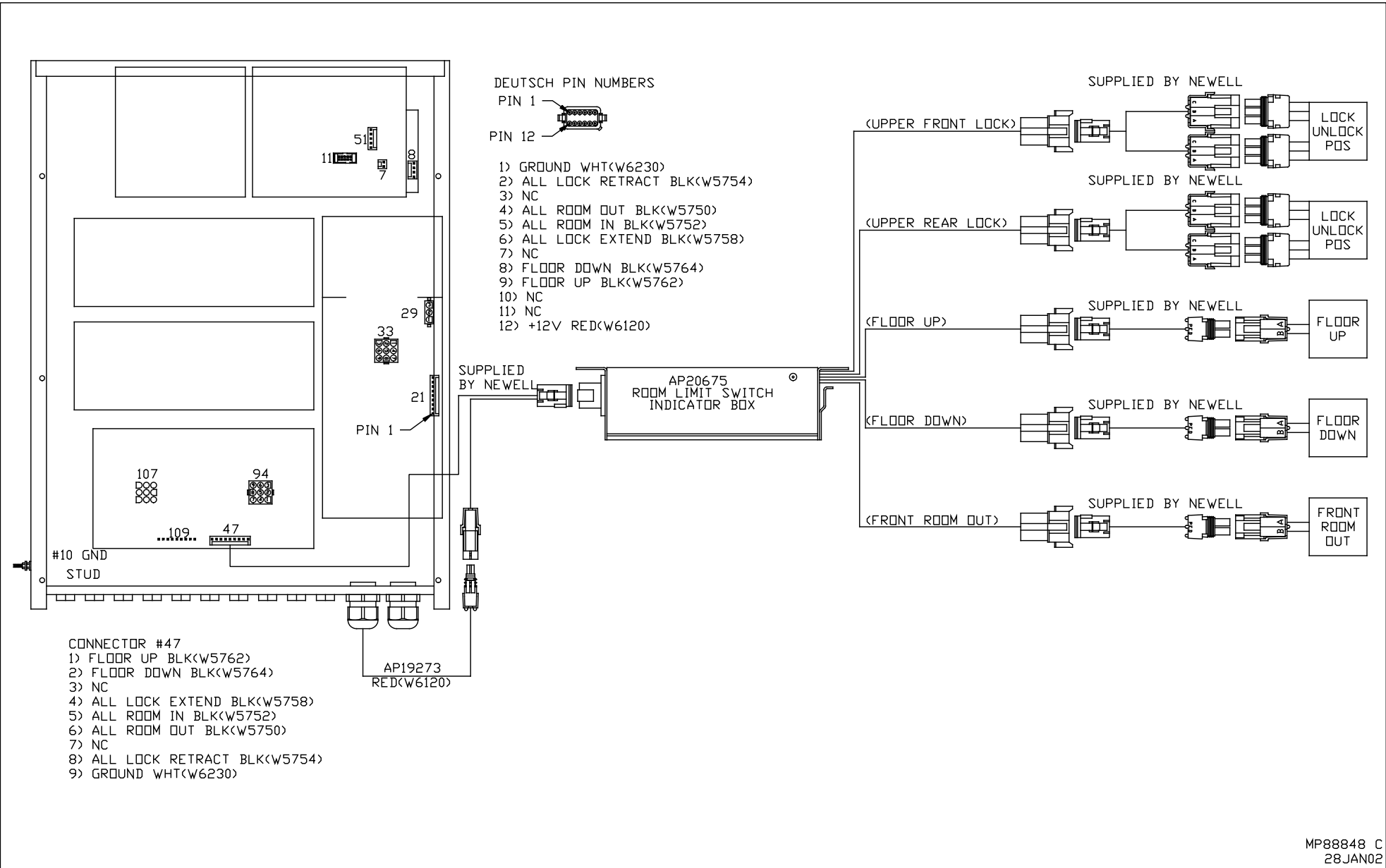
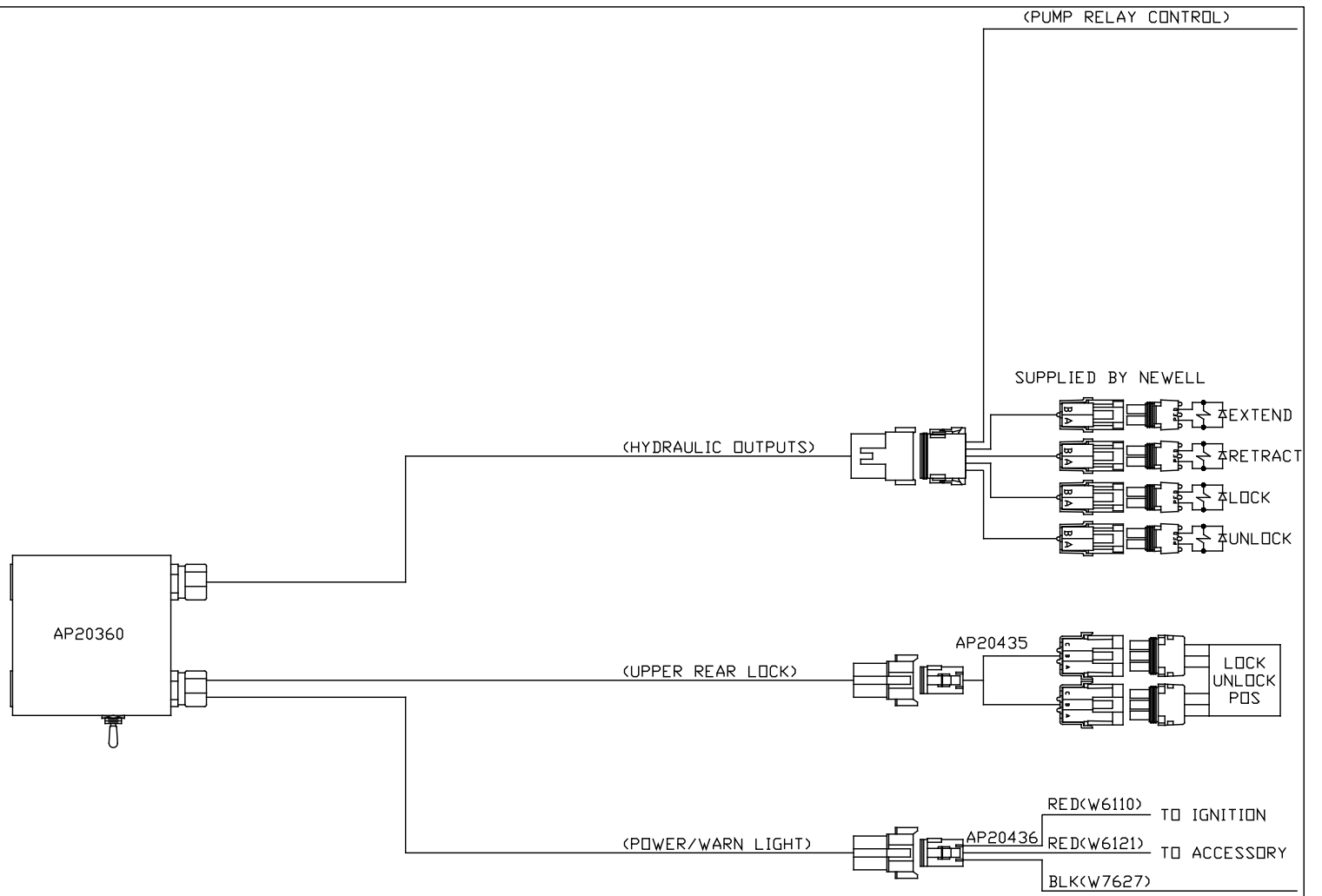
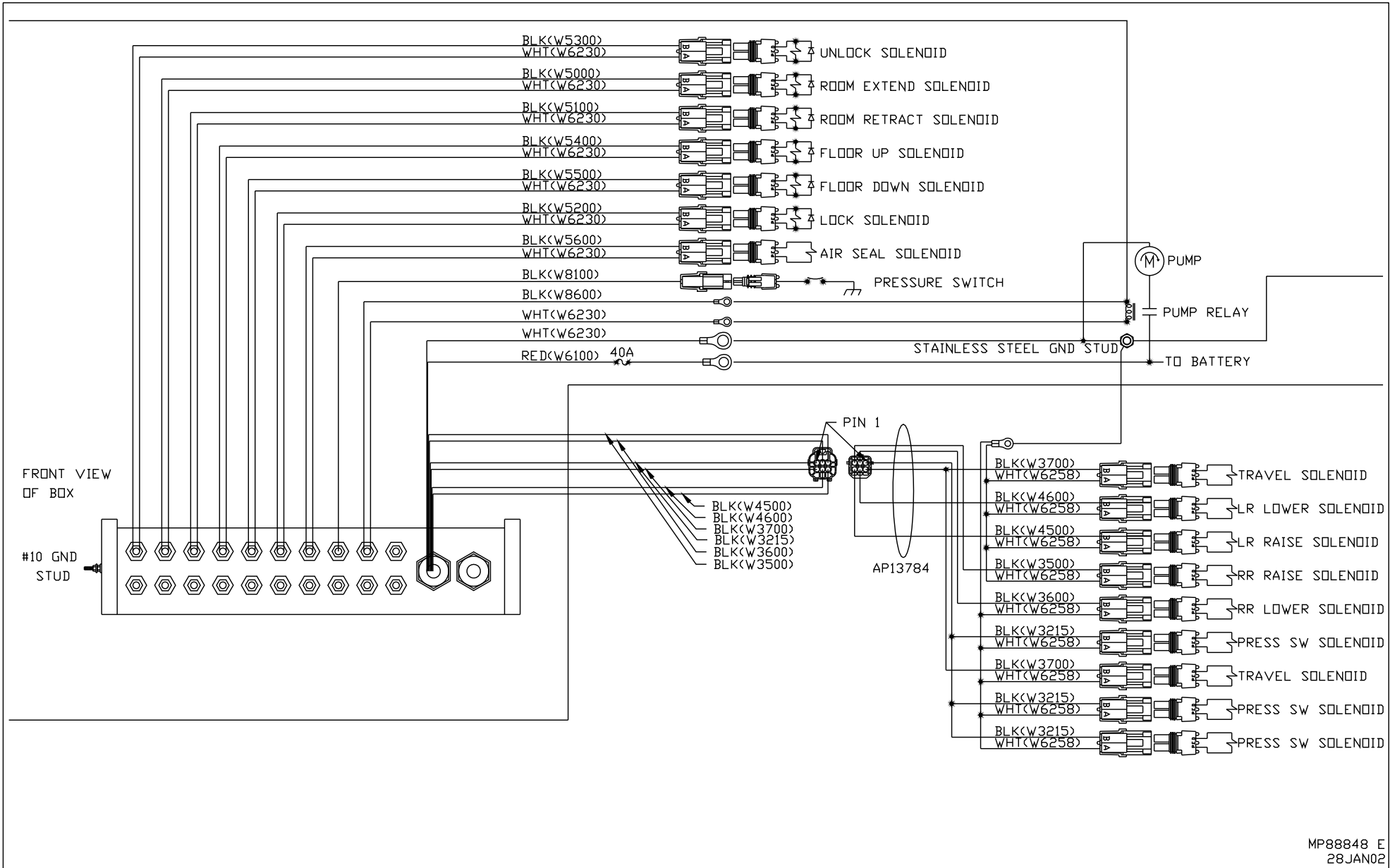


HWH		I-80 EXIT 267 SOUTH	
		RT 1 MOSCOW, IOWA 52760	
SCALE 1:3	DATE 28JAN02	DRAWN BY .	
SYSTEM SCHEMATIC ELEC			
NO.	DATE	REVISION	
THE INFORMATION DISCLOSED ON THIS DRAWING IS CONFIDENTIAL AND MUST NOT BE DISCLOSED OR USED IN ANY MANNER WHICH WILL BE DETRIMENTAL TO THE HWH CORPORATION		DRAWING NUMBER MP88848 A/F	









\*NOTE: WIRE #155 AND #161B ARE TIED TOGETHER WHEN NEUTRAL HOLD FUNCTION IS NOT USED.

