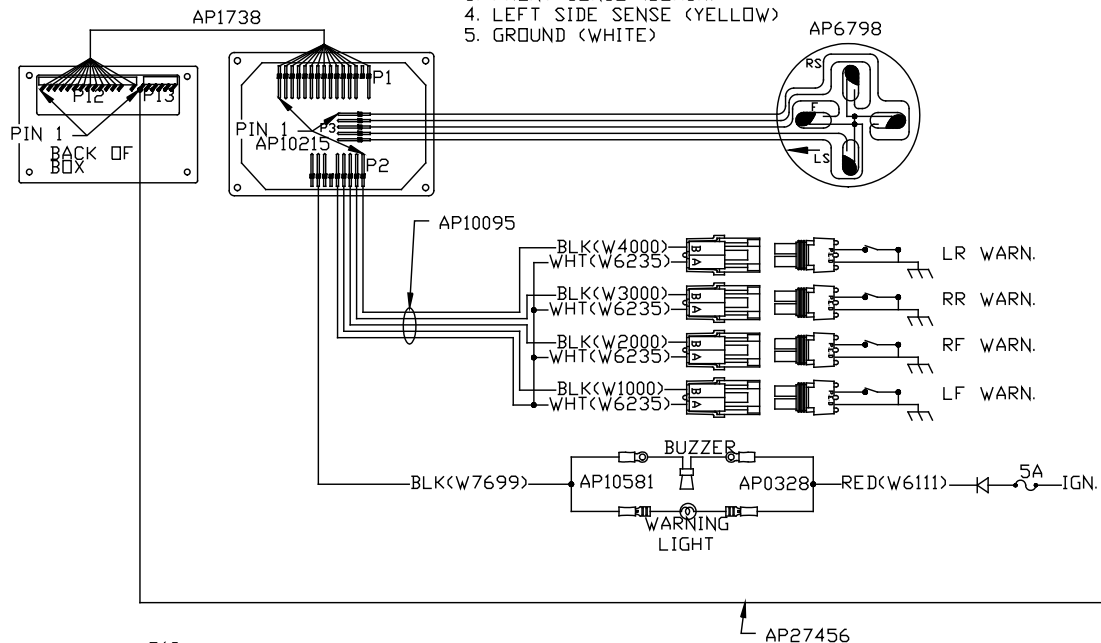


- P12-P1
1. BLUE
 2. BROWN
 3. GRAY
 4. PURPLE
 5. BLACK/WHITE
 6. BLACK
 7. WHITE/BLACK
 8. WHITE
 9. ORANGE/BLACK
 10. ORANGE
 11. GREEN/BLACK
 12. GREEN
 13. RED/BLACK
 14. KEYING PIN
 15. RED

- P3
1. REAR SENSE (RED)
 2. RIGHT SIDE SENSE (GREEN)
 3. FRONT SENSE (BLACK)
 4. LEFT SIDE SENSE (YELLOW)
 5. GROUND (WHITE)



- P2
1. BLK<W4000> LEFT REAR WARNING SW.
 2. BLK<W3000> RIGHT REAR WARNING SW.
 3. BLK<W2000> RIGHT FRONT WARNING SW.
 4. BLK<W1000> LEFT FRONT WARNING SW.
 5. WHT<W6235> GROUND
 6. KEY PIN
 7. N/C
 8. BLK<W7699> WARNING LIGHT/BUZZER CONTROL
 9. N/C

- P13
1. BLK<W8601> RE PANEL PUMP
 2. N/C
 3. N/C
 4. N/C
 5. N/C
 6. N/C

		HWH		I-80 EXIT 267 SOUTH RT 1 MOSCOW, IOWA 52760	
		SCALE 1:3	DATE 30APR02	DRAWN BY .	
		SYSTEM SCHEMATIC ELEC			
NO.	DATE	REVISION			
THE INFORMATION DISCLOSED ON THIS DRAWING IS CONFIDENTIAL AND MUST NOT BE DISCLOSED OR USED IN ANY MANNER WHICH WILL BE DETRIMENTAL TO THE HWH CORPORATION				DRAWING NUMBER MP88897 A/C	

P7

- 1. N/C
- 2. N/C
- 3. BLK(W8100) PRESSURE SW.
- 4. BLK(W4400) LEFT REAR SOLENOID
- 5. BLK(W3400) RIGHT REAR SOLENOID
- 6. BLK(W1400) LEFT FRONT SOLENOID
- 7. N/C
- 8. BLK(W2400) RIGHT FRONT SOLENOID
- 9. N/C

P8

- 1. RED(W6100) BATTERY
- 2. RED(W6100) BATTERY
- 3. RED(W6100) BATTERY
- 4. N/C
- 5. BLK(W9000) PARK BRAKE
- 6. BLK(W8600) PUMP RELAY CONTROL

ENGINE BATTERY

ROOM EXTENSION PUMP RELAY

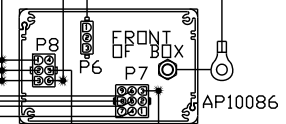
AP14325

PUMP MOTOR

GROUND STUD

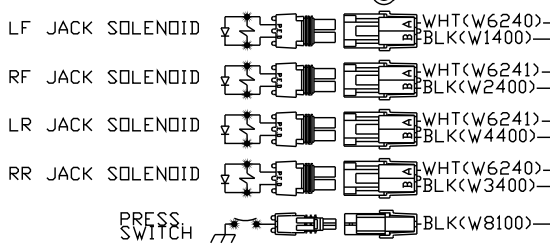
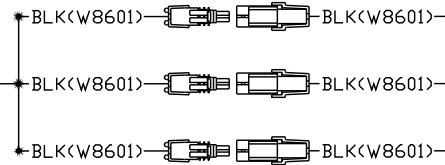
AP1196
RED(W6120) TO ACCESSORY

- P6
- 1. N/C
 - 2. N/C
 - 3. RED(W6120) ACCESSORY



- BLK(W9000) TO PARK BRAKE SWITCH
- BLK(W9001) TO PARK BRAKE LIGHT

JACK INTERRUPTS



BLK(W8601)

