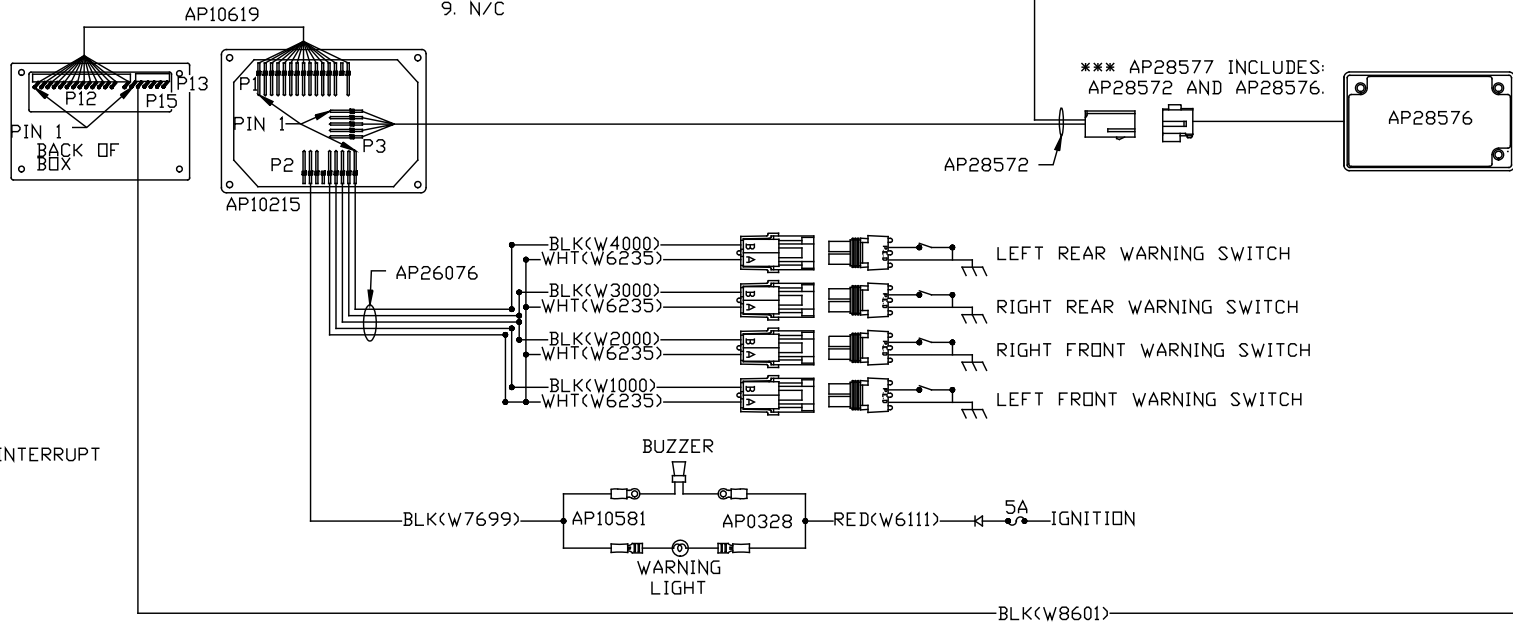


- P12-P1
1. BLUE
 2. BROWN
 3. GRAY
 4. PURPLE
 5. BLACK/WHITE
 6. BLACK
 7. WHITE/BLACK
 8. WHITE
 9. ORANGE/BLACK
 10. ORANGE
 11. GREEN
 12. GREEN/BLACK
 13. RED/BLACK
 14. KEYING PIN
 15. RED

- P13
1. N/C
 2. BLK(W8601) JACK INTERRUPT
 3. N/C
 4. N/C
 5. N/C
 6. N/C

- P3
1. REAR SENSE (RED)
 2. RIGHT SIDE SENSE (GREEN)
 3. FRONT SENSE (BLACK)
 4. LEFT SIDE SENSE (YELLOW)
 5. GROUND (WHITE)

- P2
1. BLK(W4000) LEFT REAR WARNING SW.
 2. BLK(W3000) RIGHT REAR WARNING SW.
 3. BLK(W2000) RIGHT FRONT WARNING SW.
 4. BLK(W1000) LEFT FRONT WARNING SW.
 5. WHT(W6235) GROUND
 6. KEY PIN
 7. N/C
 8. BLK(W7699) WARNING LIGHT/BUZZER CONTROL
 9. N/C



			HWH I-80 EXIT 267 SOUTH RT 1 MOSCOW, IOWA 52760	
			SCALE 1:3	DATE 11JUL02
			DRAWN BY .	
1	23OCT03	UPDATED SENSING UNIT	SYSTEM SCHEMATIC ELEC	
NO.	DATE	REVISION		
THE INFORMATION DISCLOSED ON THIS DRAWING IS CONFIDENTIAL AND MUST NOT BE DISCLOSED OR USED IN ANY MANNER WHICH WILL BE DETRIMENTAL TO THE HWH CORPORATION			DRAWING NUMBER MP88927 A/C	

