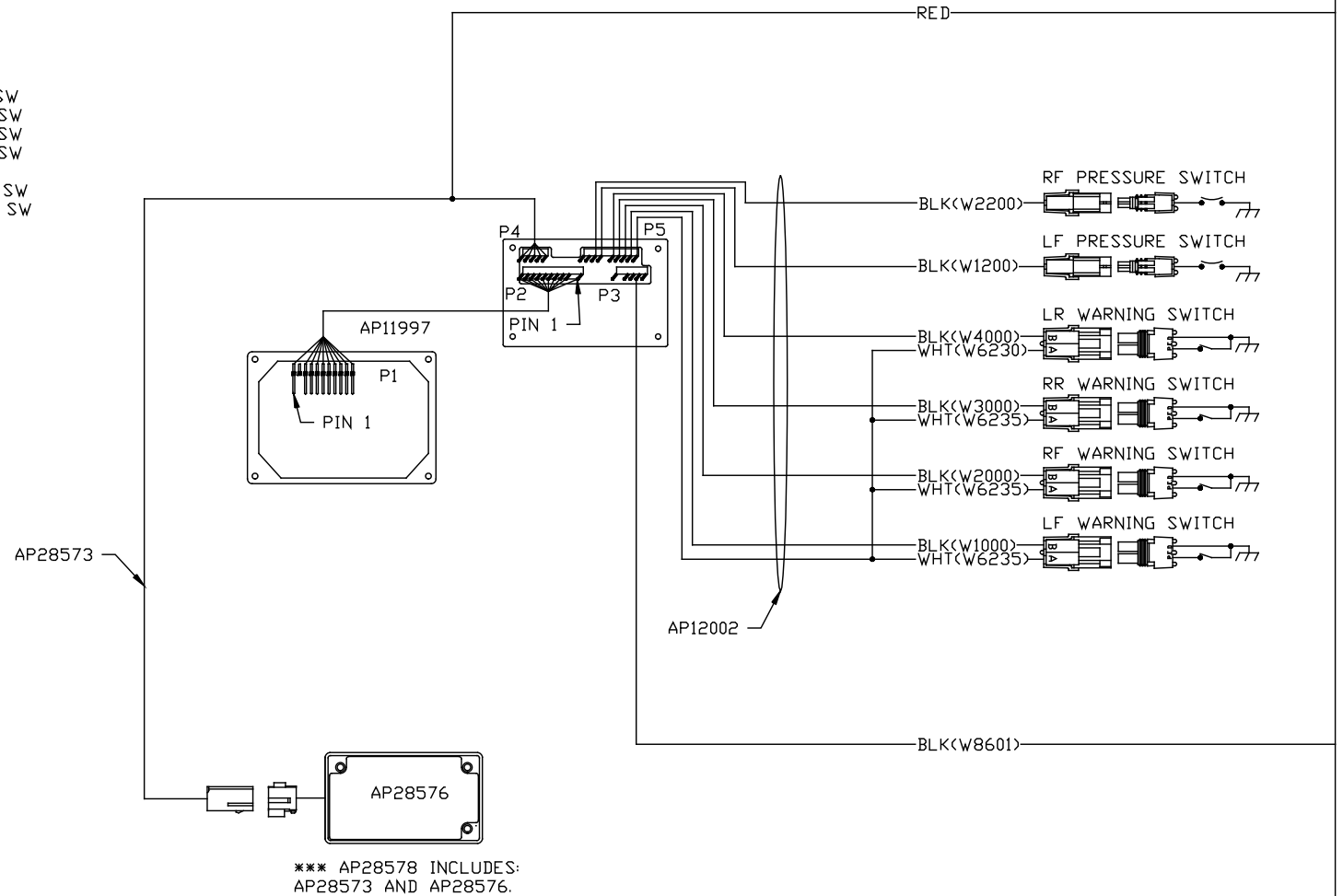


- P1 & P2
1. BLK(W01)
 2. KEY PIN
 3. BLK(W03)
 4. BLK(W04)
 5. BLK(W05)
 6. BLK(W06)
 7. BLK(W07)
 8. BLK(W08)
 9. NC
 10. BLK(W10)
 11. BLK(W11)
- P5
1. WHT(W6235) GROUND
 2. BLK(W1000) LF WARN SW
 3. BLK(W2000) RF WARN SW
 4. BLK(W3000) RR WARN SW
 5. BLK(W4000) LR WARN SW
 6. KEY PIN
 7. BLK(W1200) LF PRESS SW
 8. BLK(W2200) RF PRESS SW
 9. N/C
 10. N/C

- P3
1. N/C
 2. BLK(W8601) JACK INTERRUPT
 3. N/C
 4. N/C
 5. KEY PIN
 6. N/C

- P4
1. REAR SENSE (RED)
 2. RIGHT SIDE SENSE (GREEN)
 3. FRONT SENSE (BLACK)
 4. LEFT SIDE SENSE (YELLOW)
 5. GROUND (WHITE)



			HWH I-80 EXIT 267 SOUTH RT 1 MOSCOW, IOWA 52760		
			SCALE 1:3	DATE 04JUN03	DRAWN BY .
			SYSTEM SCHEMATIC ELEC		
NO.	DATE	REVISION			
THE INFORMATION DISCLOSED ON THIS DRAWING IS CONFIDENTIAL AND MUST NOT BE DISCLOSED OR USED IN ANY MANNER WHICH WILL BE DETRIMENTAL TO THE HWH CORPORATION			DRAWING NUMBER MP89065 A/D		

