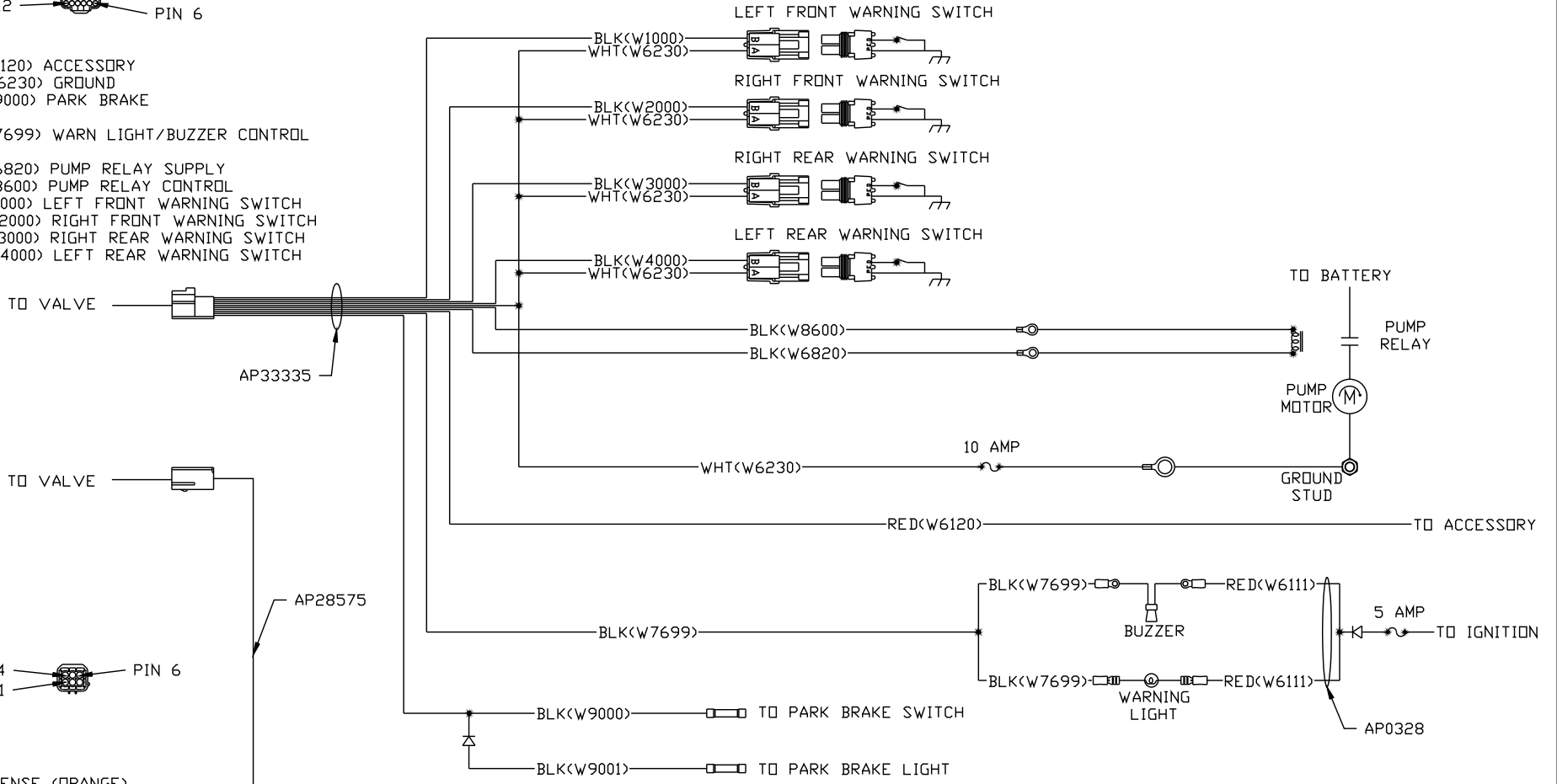




- PIN
1. RED<W6120> ACCESSORY
  2. WHT<W6230> GROUND
  3. BLK<W9000> PARK BRAKE
  4. N/C
  5. BLK<W7699> WARN LIGHT/BUZZER CONTROL
  6. N/C
  7. BLK<W6820> PUMP RELAY SUPPLY
  8. BLK<W8600> PUMP RELAY CONTROL
  9. BLK<W1000> LEFT FRONT WARNING SWITCH
  10. BLK<W2000> RIGHT FRONT WARNING SWITCH
  11. BLK<W3000> RIGHT REAR WARNING SWITCH
  12. BLK<W4000> LEFT REAR WARNING SWITCH



- PIN
1. REAR SENSE (ORANGE)
  2. GROUND (WHITE)
  3. ACCESSORY (RED)
  4. LEFT SIDE SENSE (YELLOW)
  5. FRONT SENSE (BLACK)
  6. RIGHT SIDE SENSE (GREEN)

\*\*\* AP28580 INCLUDES:  
AP28575 AND AP28576.

NO.	DATE	REVISION
THE INFORMATION DISCLOSED ON THIS DRAWING IS CONFIDENTIAL AND MUST NOT BE DISCLOSED OR USED IN ANY MANNER WHICH WILL BE DETRIMENTAL TO THE HWH CORPORATION		

HWH I-80 EXIT 267 SOUTH  
RT 1 MOSCOW, IOWA 52760

SCALE 1:3 DATE 13MAY04 DRAWN BY .

SYSTEM SCHEMATIC ELEC

DRAWING NUMBER  
MP892410