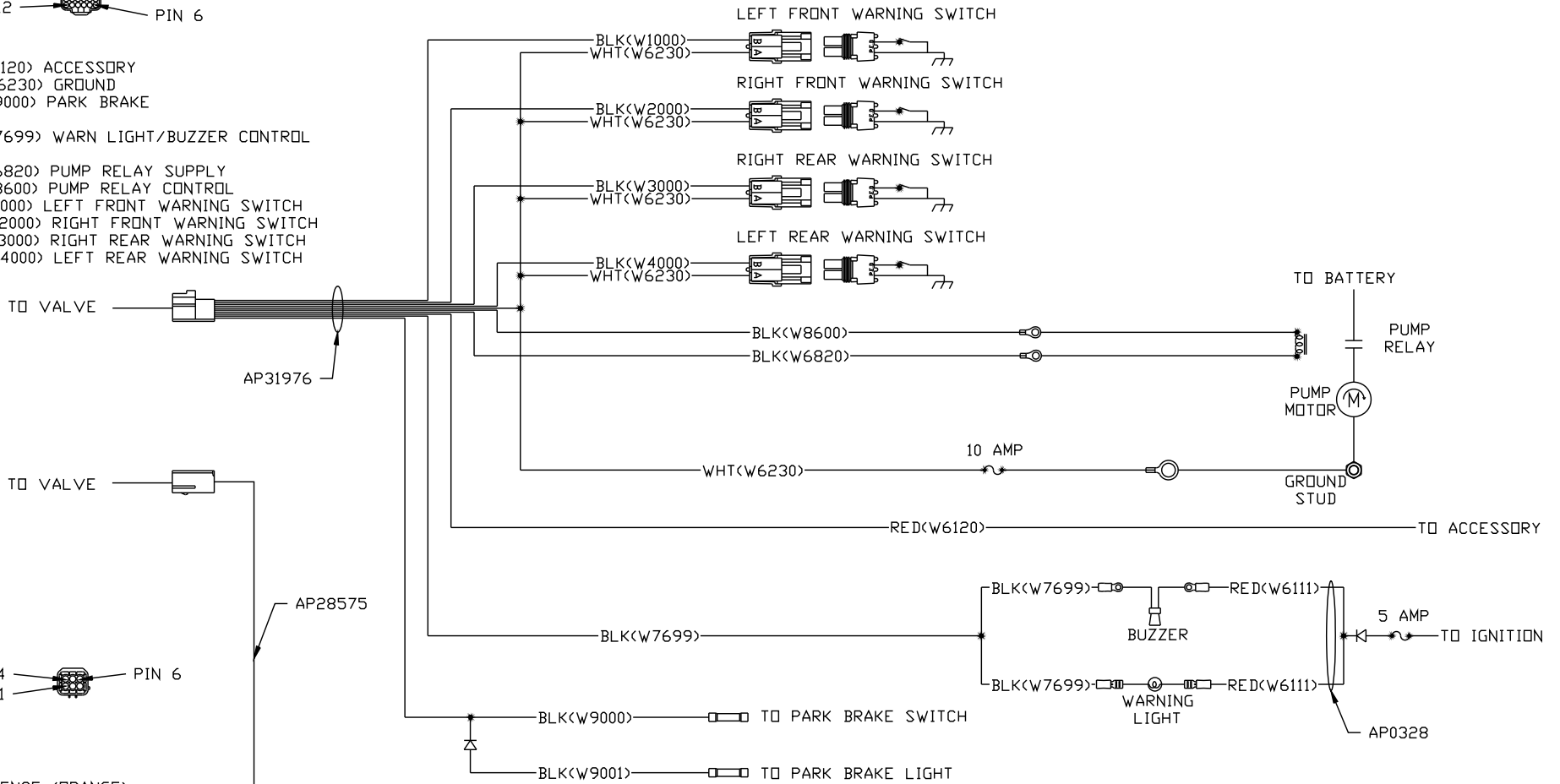




- PIN
1. RED<W6120> ACCESSORY
  2. WHT<W6230> GROUND
  3. BLK<W9000> PARK BRAKE
  4. N/C
  5. BLK<W7699> WARN LIGHT/BUZZER CONTROL
  6. N/C
  7. BLK<W6820> PUMP RELAY SUPPLY
  8. BLK<W8600> PUMP RELAY CONTROL
  9. BLK<W1000> LEFT FRONT WARNING SWITCH
  10. BLK<W2000> RIGHT FRONT WARNING SWITCH
  11. BLK<W3000> RIGHT REAR WARNING SWITCH
  12. BLK<W4000> LEFT REAR WARNING SWITCH



- PIN
1. REAR SENSE (ORANGE)
  2. GROUND (WHITE)
  3. ACCESSORY (RED)
  4. LEFT SIDE SENSE (YELLOW)
  5. FRONT SENSE (BLACK)
  6. RIGHT SIDE SENSE (GREEN)

\*\*\* AP28580 INCLUDES:  
AP28575 AND AP28576.

		HWH		I-80 EXIT 267 SOUTH RT 1 MOSCOW, IOWA 52760	
SCALE 1:3		DATE 13MAY04		DRAWN BY .	
SYSTEM SCHEMATIC ELEC					
NO.	DATE	REVISION			
THE INFORMATION DISCLOSED ON THIS DRAWING IS CONFIDENTIAL AND MUST NOT BE DISCLOSED OR USED IN ANY MANNER WHICH WILL BE DETRIMENTAL TO THE HWH CORPORATION					
					DRAWING NUMBER MP892440