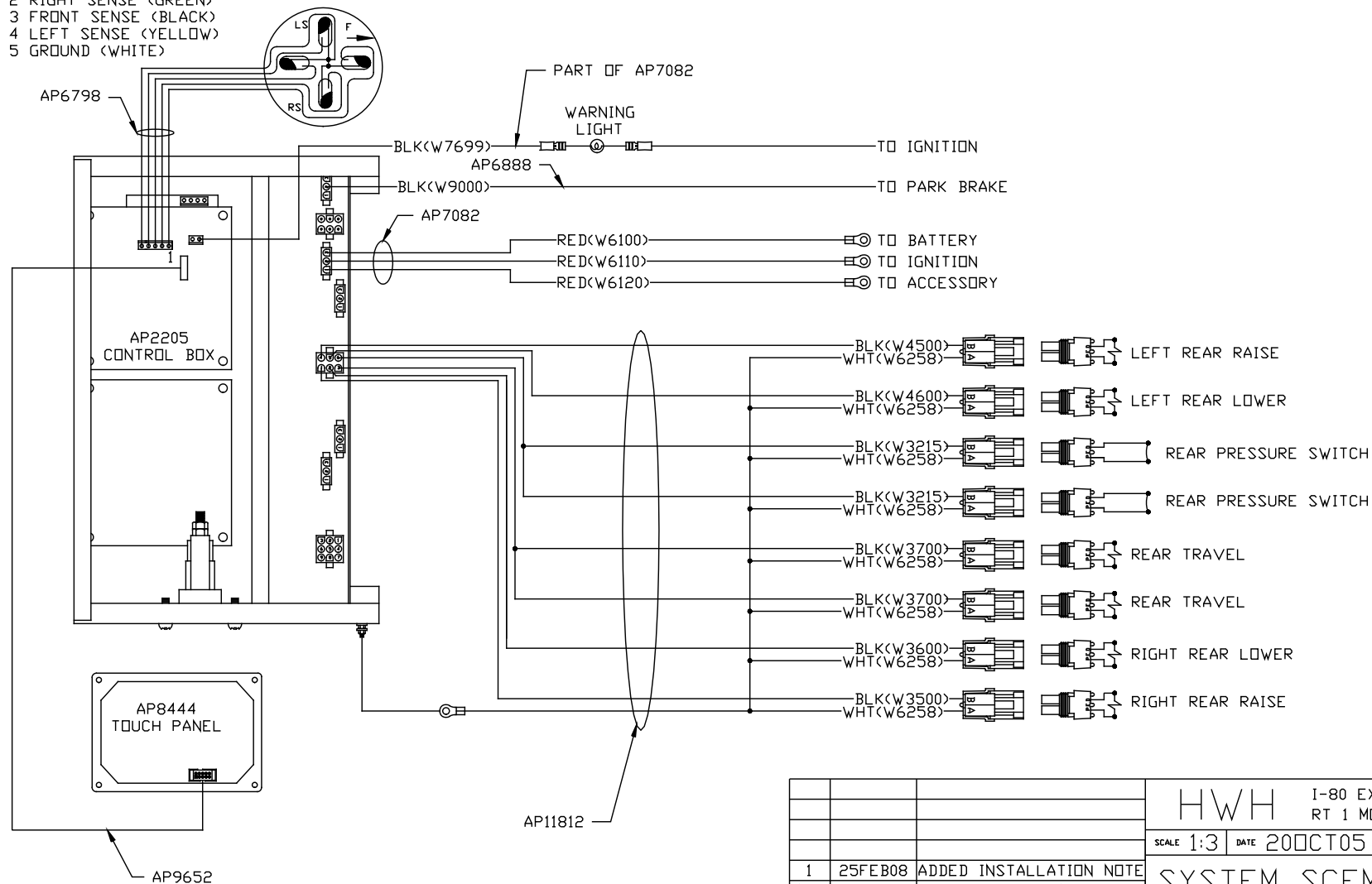
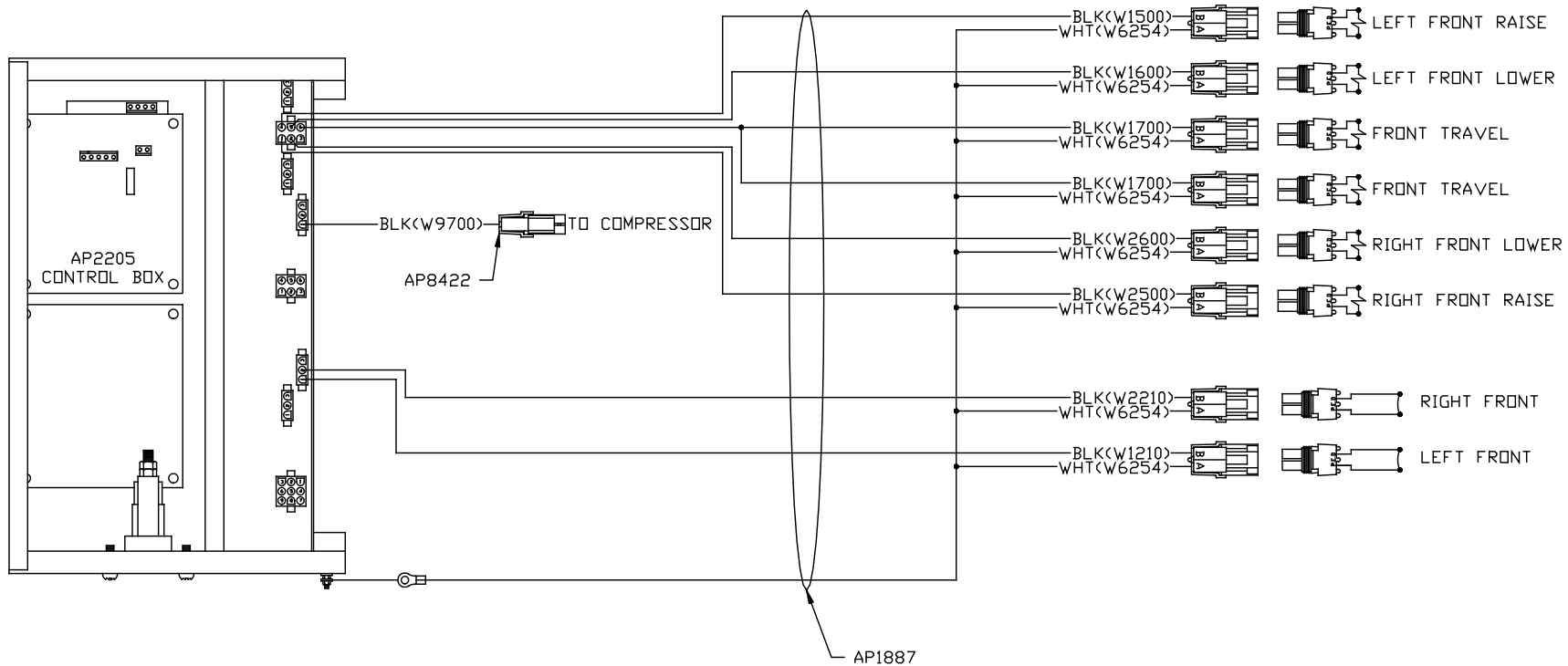


- PIN
 1 REAR SENSE (RED)
 2 RIGHT SENSE (GREEN)
 3 FRONT SENSE (BLACK)
 4 LEFT SENSE (YELLOW)
 5 GROUND (WHITE)



NOTE: INSTALLATION MUST CONFORM TO GOOD SHOP PRACTICES, SAE STANDARDS, RVIA STANDARDS, AND OTHER APPLICABLE STANDARDS.

		HWH I-80 EXIT 267 SOUTH RT 1 MOSCOW, IOWA 52760	
		SCALE 1:3	DATE 200CT05
		DRAWN BY .	
1	25FEB08	ADDED INSTALLATION NOTE	
NO.	DATE	REVISION	
		SYSTEM SCHEMATIC ELEC	
THE INFORMATION DISCLOSED ON THIS DRAWING IS CONFIDENTIAL AND MUST NOT BE DISCLOSED OR USED IN ANY MANNER WHICH WILL BE DETRIMENTAL TO THE HWH CORPORATION			DRAWING NUMBER MP89308 A/B



NOTE: INSTALLATION MUST CONFORM TO GOOD SHOP PRACTICES, SAE STANDARDS, RVIA STANDARDS, AND OTHER APPLICABLE STANDARDS.

MP89308 B
25FEB08