

NOTE: INSTALLATION MUST CONFORM TO GOOD SHOP PRACTICES, SAE STANDARDS, RVIA STANDARDS, AND OTHER APPLICABLE STANDARDS.

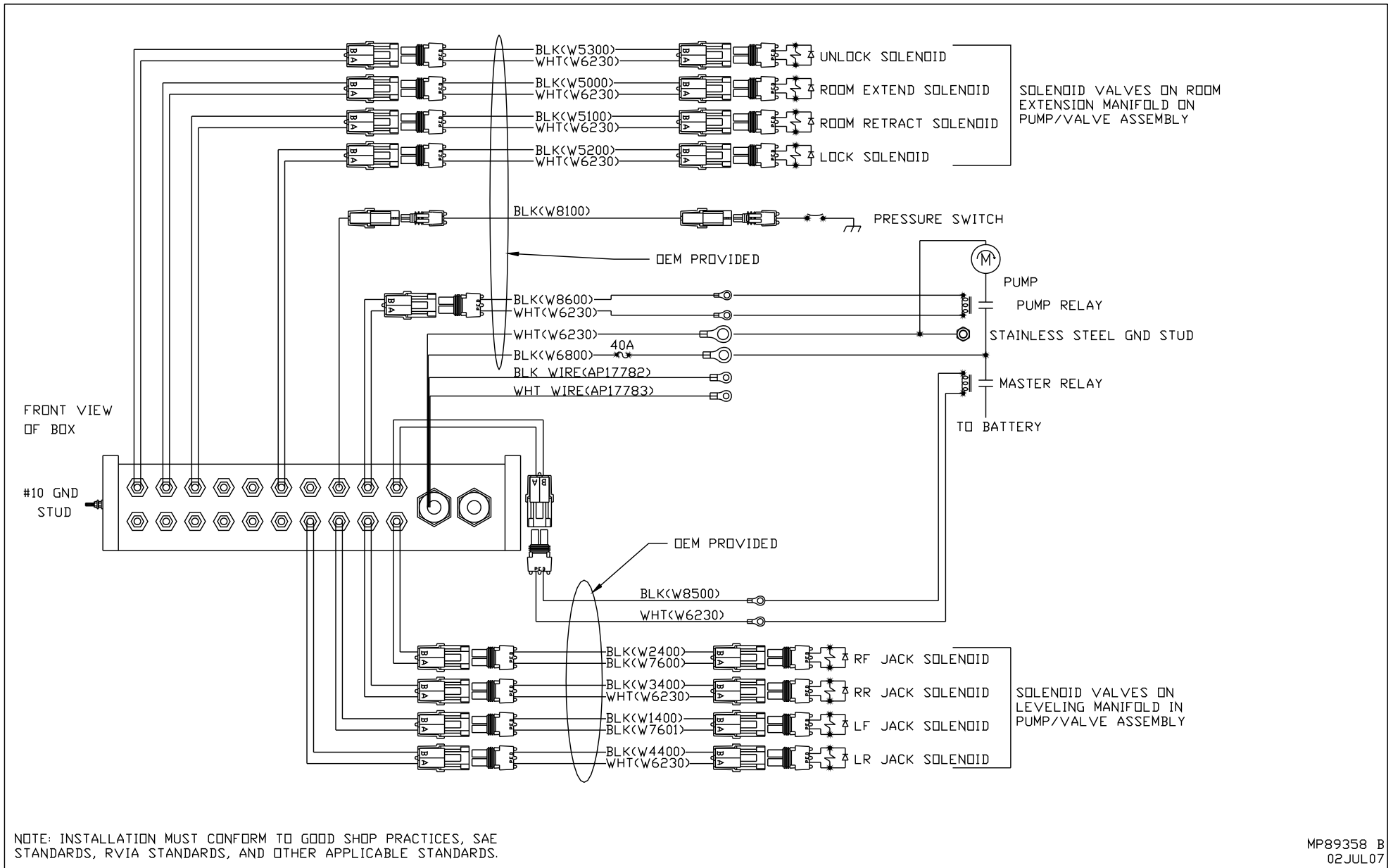
1	02JUL07	ADDED INSTALLATION NOTE
NO.	DATE	REVISION
THE INFORMATION DISCLOSED ON THIS DRAWING IS CONFIDENTIAL AND MUST NOT BE DISCLOSED OR USED IN ANY MANNER WHICH WILL BE DETRIMENTAL TO THE HWH CORPORATION		

HWH I-80 EXIT 267 SOUTH
 RT 1 MOSCOW, IOWA 52760

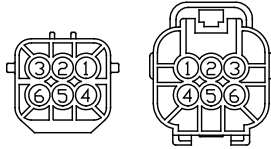
SCALE 1:3 DATE 02NOV04 DRAWN BY .

SYSTEM SCHEMATIC ELEC

DRAWING NUMBER
 MP89358 A/E

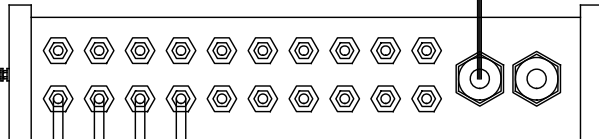


DETAIL A
EJS CONNECTOR PINOUTS



FRONT VIEW
OF BOX

#10 GND
STUD

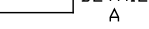


BLK<W9000>

BLK<W7625>

BLK<W7699>

RED<W6121>



SEE
DETAIL
A

AP21602

BLK<W9000>

BLK<W7625>

BLK<W7699>

BLK<W6121>

TO PARK BRAKE

ROOM WARN

JACKS DOWN WARN

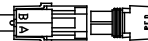
WARN LIGHTS
ON DRIVER
PANEL

BLK<W5200>
WHT<W6230>

BLK<W5100>
WHT<W6230>

BLK<W5000>
WHT<W6230>

BLK<W5300>
WHT<W6230>



LOCK SOLENOID

ROOM RETRACT SOLENOID

ROOM EXTEND SOLENOID

UNLOCK SOLENOID

SOLENOID VALVES ON ROOM
EXTENSION MANIFOLD ON
PUMP/VALVE ASSEMBLY

NOTE: INSTALLATION MUST CONFORM TO GOOD SHOP PRACTICES, SAE
STANDARDS, RVIA STANDARDS, AND OTHER APPLICABLE STANDARDS.

MP89358 C
02JUL07

