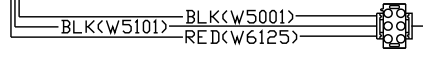
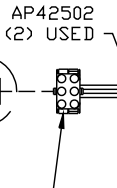
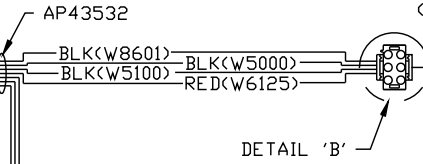
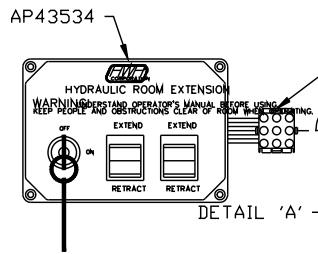
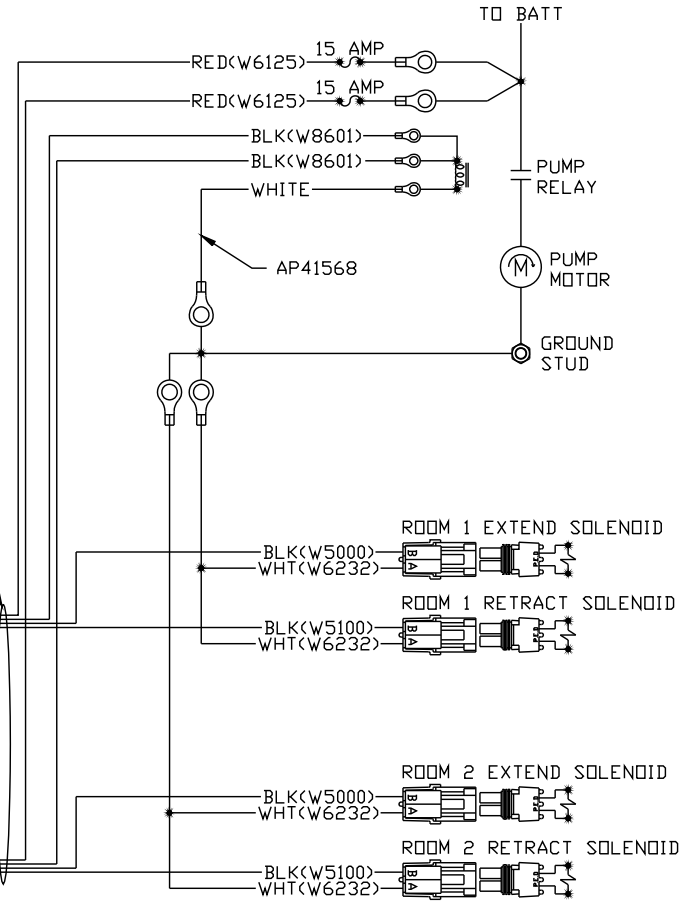


- PIN
1. BLK(W8601) PUMP CONTROL
  2. BLK(W5000) ROOM 1 EXTEND
  3. BLK(W5100) ROOM 1 RETRACT
  4. BLK(W5001) ROOM 2 EXTEND
  5. BLK(W5101) ROOM 2 RETRACT
  6. RED(W6125) BATTERY
  7. RED(W6125) BATTERY
  8. N/C
  9. N/C



- PIN
1. BLK(W8601) PUMP CONTROL
  2. BLK(W5000) EXTEND
  3. BLK(W5100) RETRACT
  4. N/C
  5. N/C
  6. RED(W6125) BATTERY



NOTE: INSTALLATION MUST CONFORM TO GOOD SHOP PRACTICES, SAE STANDARDS, RVIA STANDARDS, AND OTHER APPLICABLE STANDARDS.

NO.	DATE	REVISION
THE INFORMATION DISCLOSED ON THIS DRAWING IS CONFIDENTIAL AND MUST NOT BE DISCLOSED OR USED IN ANY MANNER WHICH WILL BE DETRIMENTAL TO THE HWH CORPORATION		

HWH I-80 EXIT 267 SOUTH  
RT 1 MOSCOW, IOWA 52760

SCALE 1:3 DATE 27JAN11 DRAWN BY .

SYSTEM SCHEMATIC ELEC

DRAWING NUMBER  
MP905950