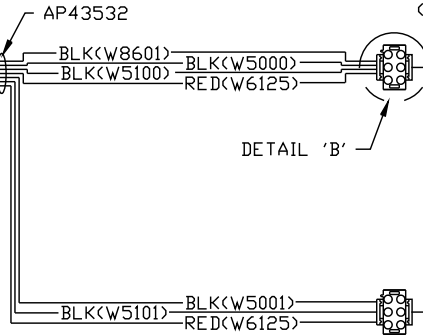
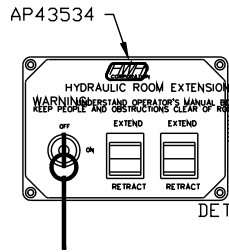
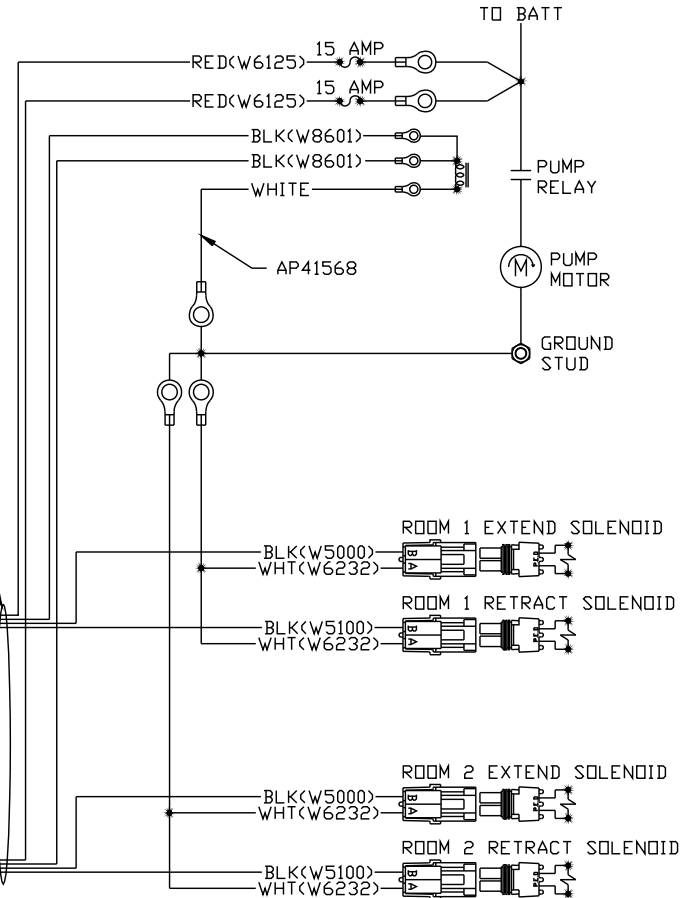
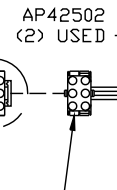


- PIN
1. BLK<W8601> PUMP CONTROL
 2. BLK<W5000> ROOM 1 EXTEND
 3. BLK<W5100> ROOM 1 RETRACT
 4. BLK<W5001> ROOM 2 EXTEND
 5. BLK<W5101> ROOM 2 RETRACT
 6. RED<W6125> BATTERY
 7. RED<W6125> BATTERY
 8. N/C
 9. N/C



- PIN
1. BLK<W8601> PUMP CONTROL
 2. BLK<W5000> EXTEND
 3. BLK<W5100> RETRACT
 4. N/C
 5. N/C
 6. RED<W6125> BATTERY



NO.	DATE	REVISION
THE INFORMATION DISCLOSED ON THIS DRAWING IS CONFIDENTIAL AND MUST NOT BE DISCLOSED OR USED IN ANY MANNER WHICH WILL BE DETRIMENTAL TO THE HWH CORPORATION		

HWH I-80 EXIT 267 SOUTH
RT 1 MOSCOW, IOWA 52760

SCALE 1:3 DATE 07MAR11 DRAWN BY .

SYSTEM SCHEMATIC ELEC

DRAWING NUMBER
MP906130

NOTE: INSTALLATION MUST CONFORM TO GOOD SHOP PRACTICES, SAE STANDARDS, RVIA STANDARDS, AND OTHER APPLICABLE STANDARDS.