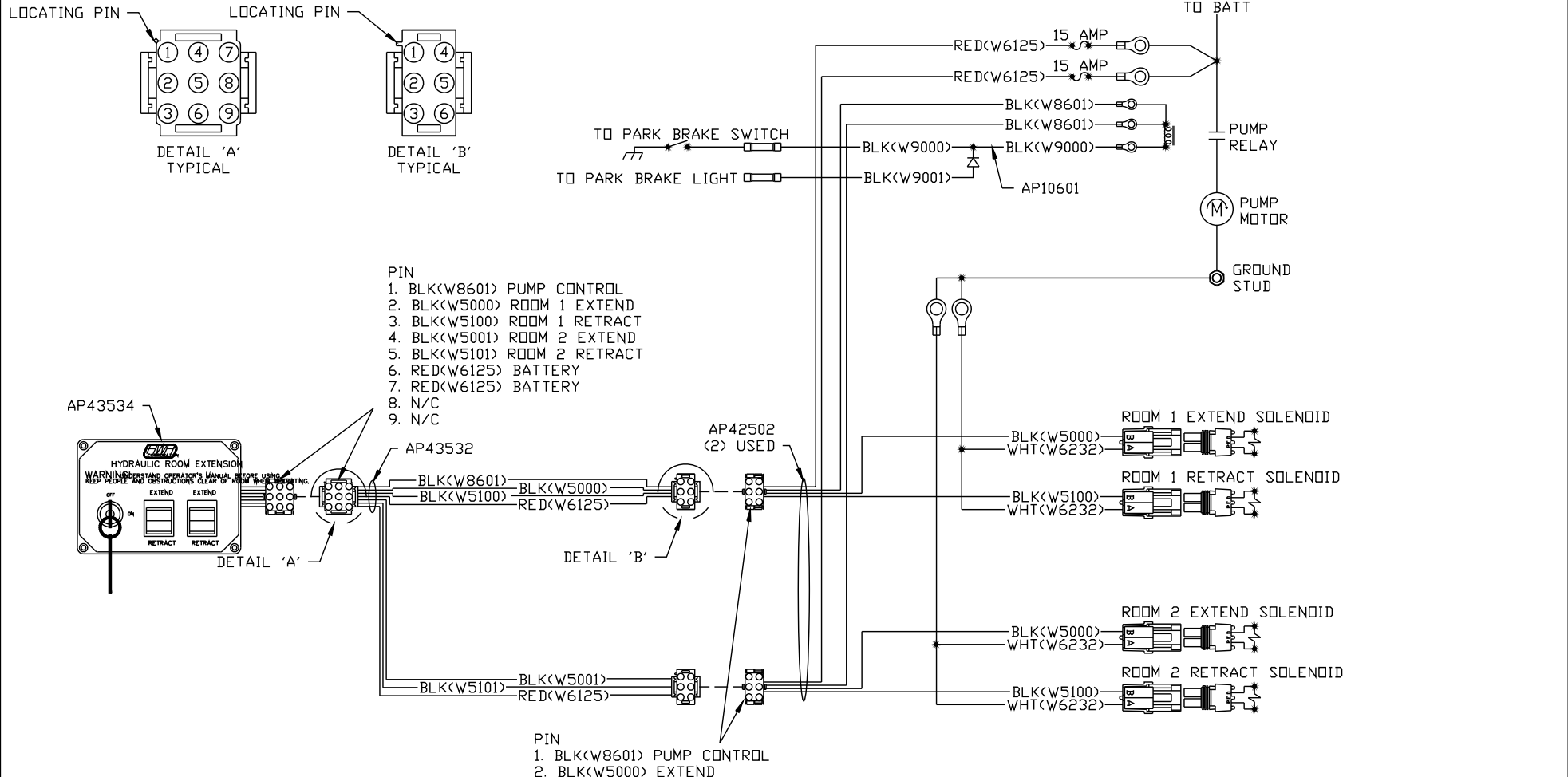


- PIN
1. BLK<W8601> PUMP CONTROL
 2. BLK<W5000> ROOM 1 EXTEND
 3. BLK<W5100> ROOM 1 RETRACT
 4. BLK<W5001> ROOM 2 EXTEND
 5. BLK<W5101> ROOM 2 RETRACT
 6. RED<W6125> BATTERY
 7. RED<W6125> BATTERY
 8. N/C
 9. N/C

- PIN
1. BLK<W8601> PUMP CONTROL
 2. BLK<W5000> EXTEND
 3. BLK<W5100> RETRACT
 4. N/C
 5. N/C
 6. RED<W6125> BATTERY



NOTE: INSTALLATION MUST CONFORM TO GOOD SHOP PRACTICES, SAE STANDARDS, RVIA STANDARDS, AND OTHER APPLICABLE STANDARDS.

		HWH		I-80 EXIT 267 SOUTH RT 1 MOSCOW, IOWA 52760	
		SCALE 1:3	DATE 01AUG11	DRAWN BY .	
SYSTEM SCHEMATIC ELEC					
NO.	DATE	REVISION			
THE INFORMATION DISCLOSED ON THIS DRAWING IS CONFIDENTIAL AND MUST NOT BE DISCLOSED OR USED IN ANY MANNER WHICH WILL BE DETRIMENTAL TO THE HWH CORPORATION				DRAWING NUMBER MP906550	