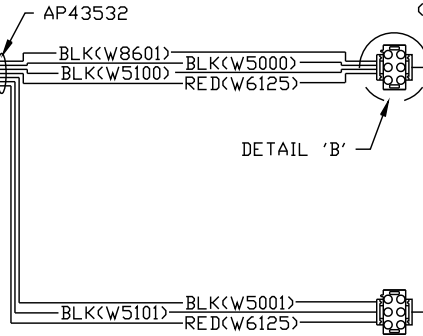
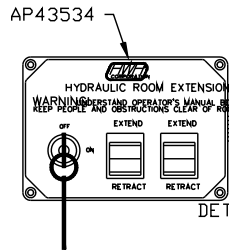
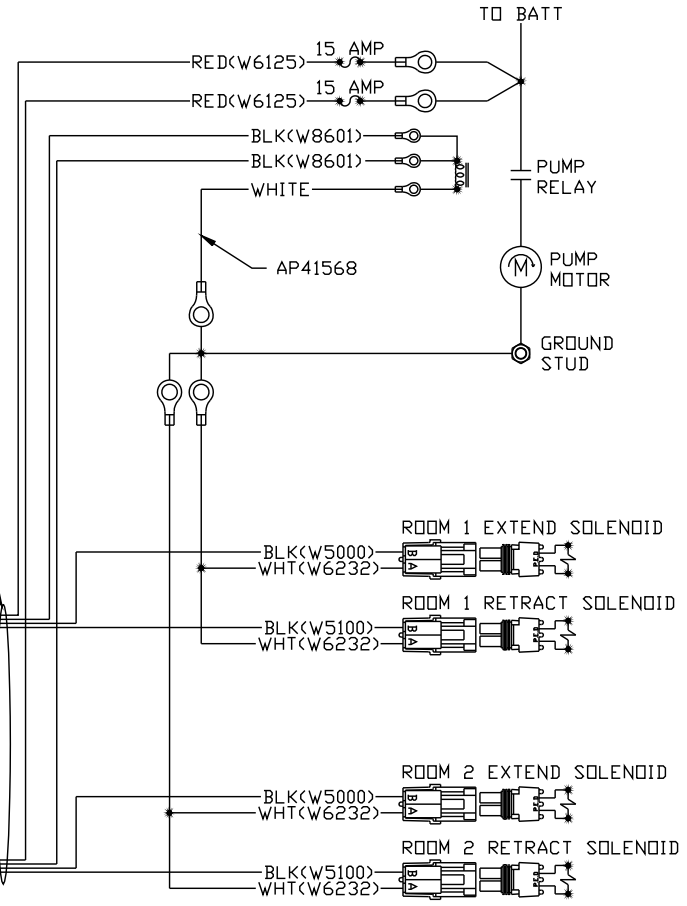


- PIN
1. BLK(W8601) PUMP CONTROL
 2. BLK(W5000) ROOM 1 EXTEND
 3. BLK(W5100) ROOM 1 RETRACT
 4. BLK(W5001) ROOM 2 EXTEND
 5. BLK(W5101) ROOM 2 RETRACT
 6. RED(W6125) BATTERY
 7. RED(W6125) BATTERY
 8. N/C
 9. N/C



- PIN
1. BLK(W8601) PUMP CONTROL
 2. BLK(W5000) EXTEND
 3. BLK(W5100) RETRACT
 4. N/C
 5. N/C
 6. RED(W6125) BATTERY



		HWH		I-80 EXIT 267 SOUTH RT 1 MOSCOW, IOWA 52760	
		SCALE 1:3	DATE 16DEC13	DRAWN BY .	
		SYSTEM SCHEMATIC ELEC			
NO.	DATE	REVISION			
		THE INFORMATION DISCLOSED ON THIS DRAWING IS CONFIDENTIAL AND MUST NOT BE DISCLOSED OR USED IN ANY MANNER WHICH WILL BE DETRIMENTAL TO THE HWH CORPORATION			
				DRAWING NUMBER MP909880	

NOTE: INSTALLATION MUST CONFORM TO GOOD SHOP PRACTICES, SAE STANDARDS, RVIA STANDARDS, AND OTHER APPLICABLE STANDARDS.