

6000# Jack Kit and Spacer/Cross-Tie Kit: Straight-Acting Jacks

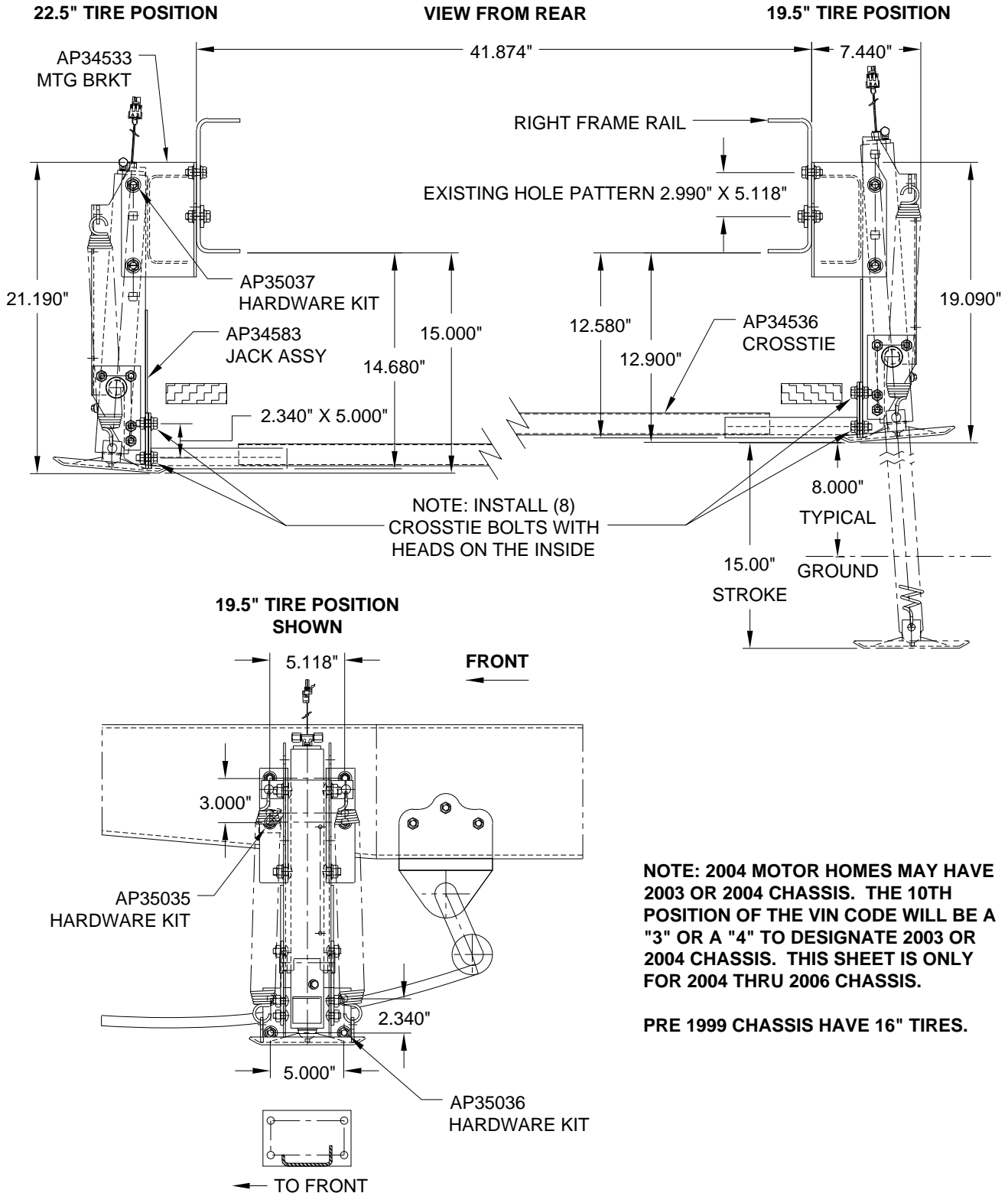
Application: Mounting Straight-Acting Jacks on the FRONT OF FORD F53, 2004 thru 2006 chassis with 19.5"-22.5" TIRES.

Mfr. #: AP34438 6000# Front Jack Kit
Includes: 2 - AP34583 Jack 6000x15 AMF WS
 1 - AP35037 Hardware Kit 1/2"

Mfr. #: 1 - AP34443 Spacer/Tie Kit 6S 4F53F
Includes: 2 - AP34533 Mtg Brackets - AMFD/6SF
 1 - AP34536 CrossTie - AMFD/6SF
 1 - AP35035 Hardware Kit 7/16" W/WHR
 1 - AP35036 Hardware Kit 7/16"

M.S.R.P.: See Item Price Listing

M.S.R.P.: See Item Price Listing



NOTE: 2004 MOTOR HOMES MAY HAVE 2003 OR 2004 CHASSIS. THE 10TH POSITION OF THE VIN CODE WILL BE A "3" OR A "4" TO DESIGNATE 2003 OR 2004 CHASSIS. THIS SHEET IS ONLY FOR 2004 THRU 2006 CHASSIS.

PRE 1999 CHASSIS HAVE 16" TIRES.

CAUTION: Follow CAUTIONS in Operator's and Installation Manuals concerning working under vehicles.

MI25.1070
04AUG05