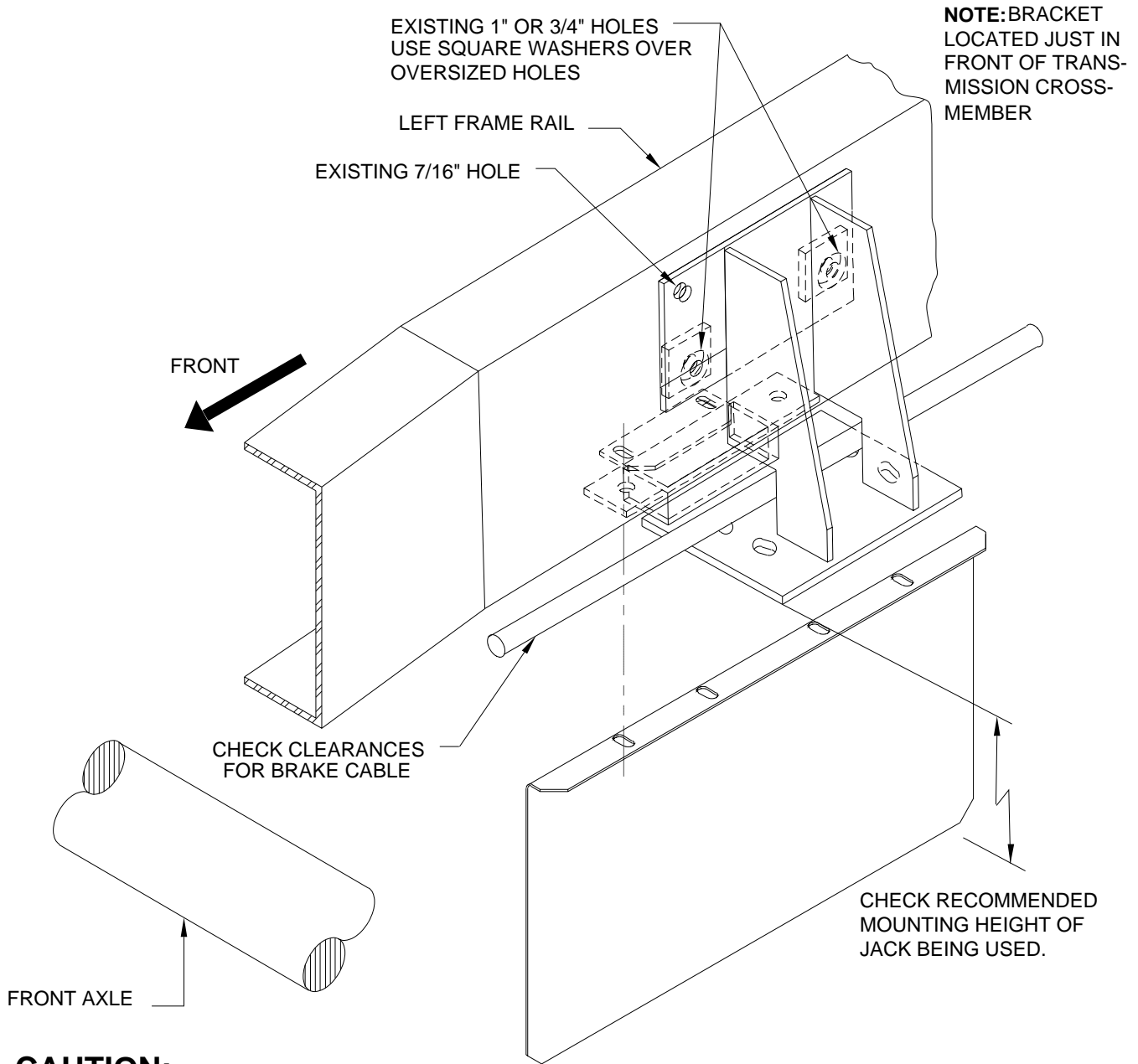


MOUNTING DIAGRAM

P32/42 CHEVY: FRONT BRACKET BEHIND AXLE



CAUTION: FOLLOW CAUTIONS IN OPERATOR AND INSTALLATION MANUALS CONCERNING WORKING UNDER VEHICLES.

HEAT GUARD JACKS, HYDRAULIC LINES, AND WIRES MUST BE PROTECTED FROM EXHAUST PIPE HEAT.

- AP12600 BRACKET KIT P32/42 FRONT**
- (1) AP12596 BRACKET P32/42 RF
 - (1) AP12597 BRACKET P32/42 LF
 - (1) P12156 HEAT GUARD
 - (1) AP13659 HARDWARE KIT

