

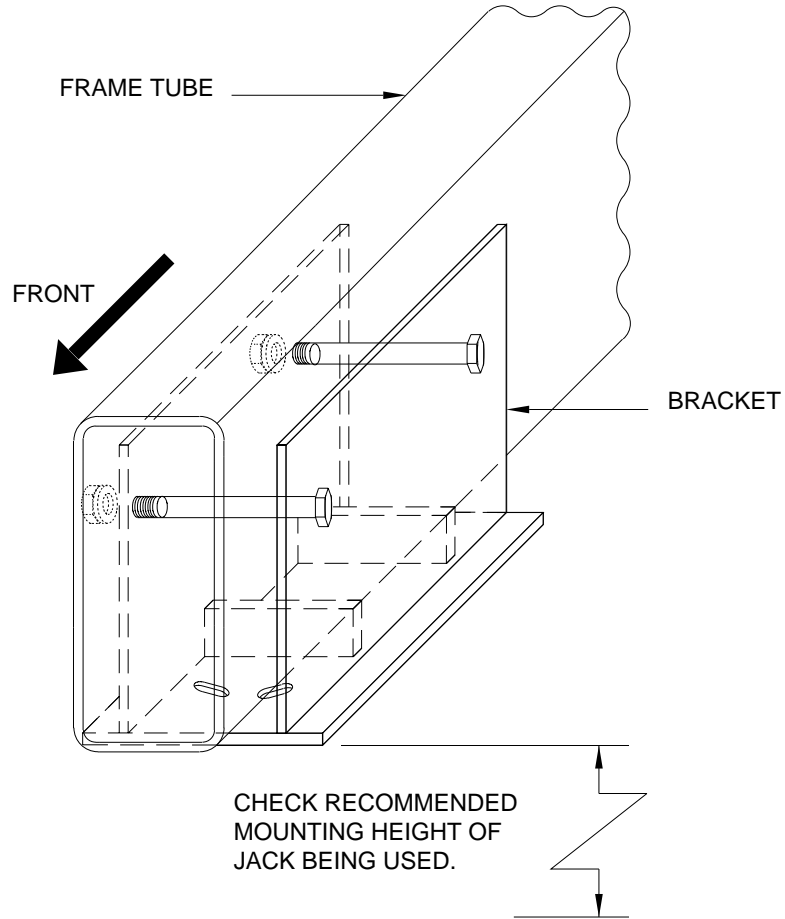
Mounting Bracket Kit: Kick-Down Jacks

Application: For mounting Kick-Down Jacks on the FRONT OF CHEVY G (Class C) chassis with UNIBODY BOX RAIL. Front bracket.

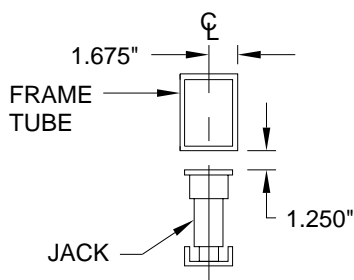
Mfr. #: AP0090 Bracket Kit Chevy Front Class C

Includes: 2 - AP8915 Bracket Front
1 - AP0091 Hardware Kit

M.S.R.P.: See Item Price Listing



NOTE: HEAT SHIELD MAY BE REQUIRED. JACKS, HYDRAULIC LINES, AND WIRES MUST BE PROTECTED FROM EXHAUST PIPE HEAT.



CAUTION: Follow CAUTIONS in Operator's and Installation Manuals concerning working under vehicles.

MI25.1125
11JAN01