

# Mounting Bracket Kit: Kick-Down Jacks

**Application:** For mounting Kick-Down Jacks on the REAR OF FORD F53 chassis, 1999 and newer with 19.5" TIRES.  
Rear bracket behind fuel tank hanger.

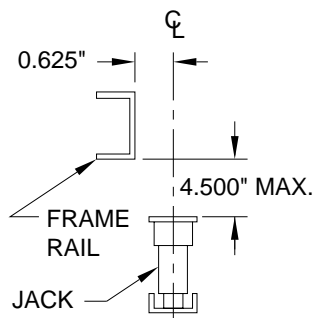
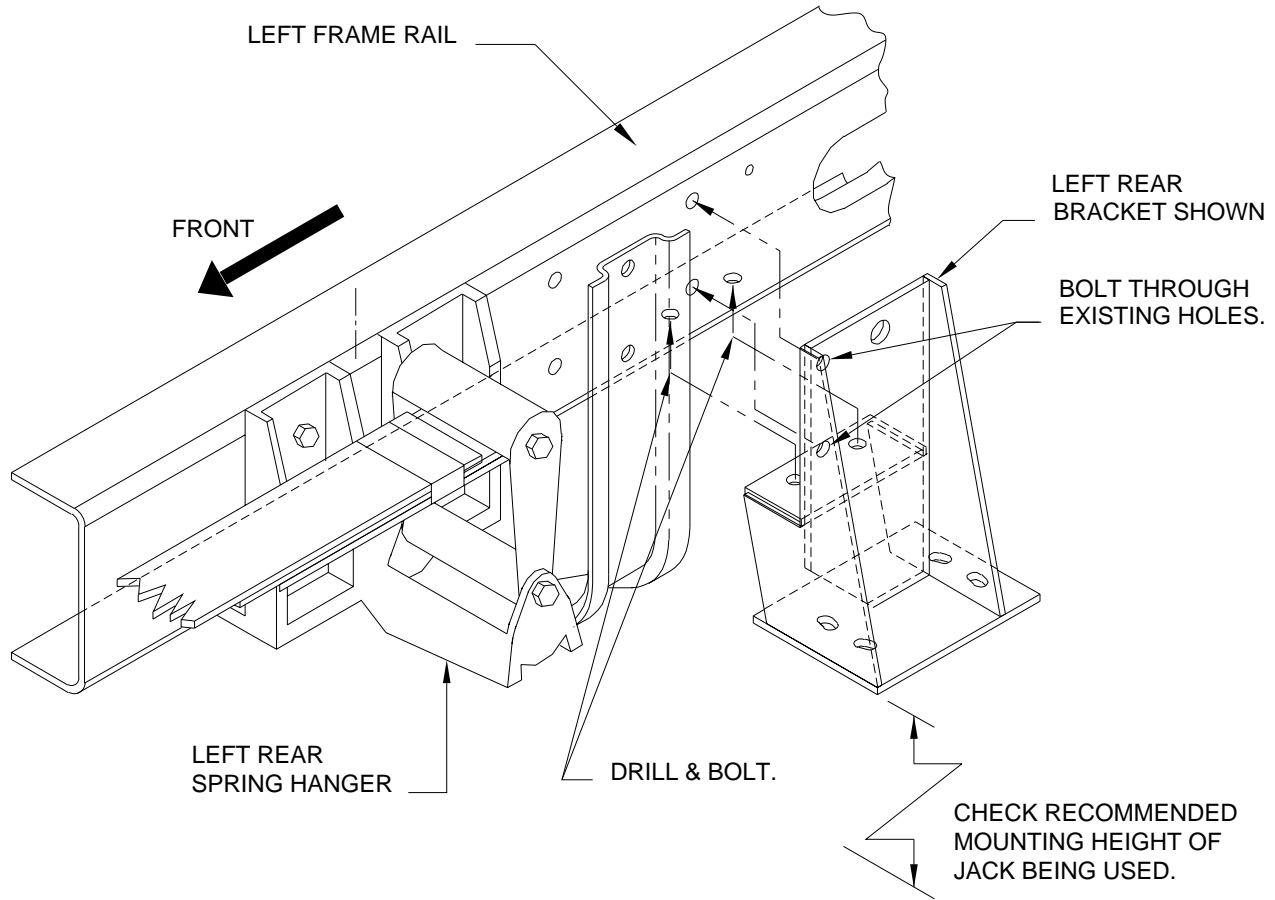
**Mfr. #:** AP18761 Bracket Kit Side of Frame

**Includes:** 1 - AP18644 Bracket Right Rear

1 - AP18645 Bracket Left Rear

1 - AP16184 Hardware Kit 7/16"

**M.S.R.P.:** See Item Price Listing



**NOTE:** IF JACK IS TOO CLOSE TO TAIL PIPE, HAVE COACH OWNER TAKE COACH TO A PROFESSIONAL MUFFLER SHOP.

**CAUTION:** Follow CAUTIONS in Operator's and Installation Manuals concerning working under vehicles.

**MI25.1182**  
**11JAN01**