

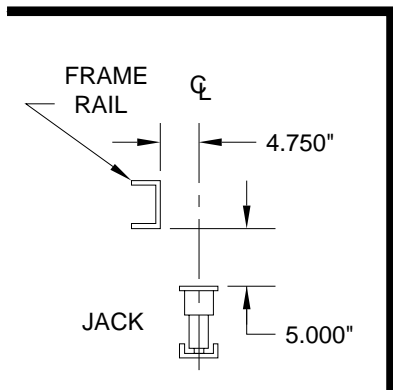
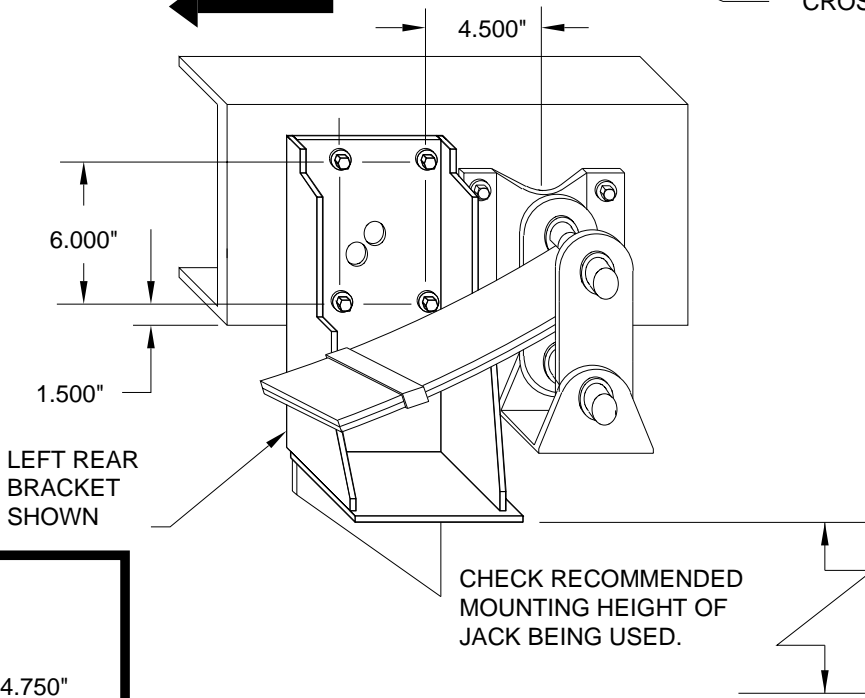
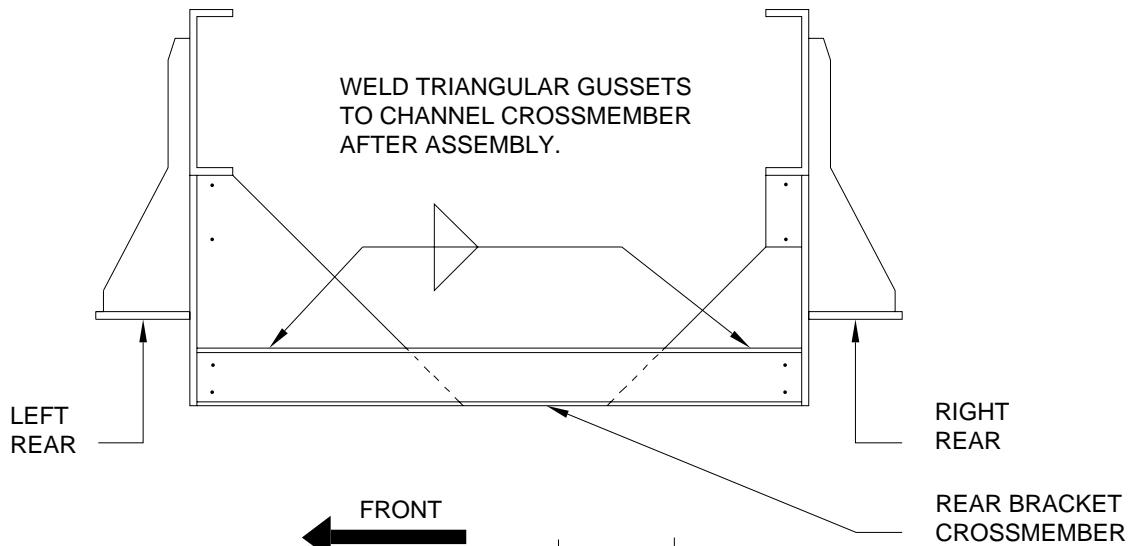
Mounting Bracket Kit: Kick-Down Jacks

Application: For mounting Kick-Down Jacks on the REAR OF OSHKOSH X chassis with STEEL LEAF SPRING SUSPENSION and 19.5" TIRES. Rear Bracket and Crossmember.

Mfr. #: AP0317 Bracket Kit Oshkosh X Rear Crossmember

- Includes:**
- 1 - AP8626 Bracket Right Rear
 - 1 - AP8627 Bracket Left Rear
 - 1 - P8623 Cross Tie
 - 1 - P8624 Gusset
 - 1 - P8629 Gusset
 - 1 - AP9874 Hardware Kit

M.S.R.P.: See Item Price Listing



CAUTION: Follow CAUTIONS in Operator's and Installation Manuals concerning working under vehicles.

MI25.1185
16FEB01