

Pivot Brkt Kit - 2 Jack Assy & 9,000# Cylinder Kit: Straight-Acting Jacks

Application: For mounting Straight-Acting Jacks on the REAR OF FORD F53, 1999 thru 2003 chassis with 19.5" TIRES.

Mfr. #: AP16244 Pivot Brkt Kit - 2 Jack Assy
F53/99 Rear

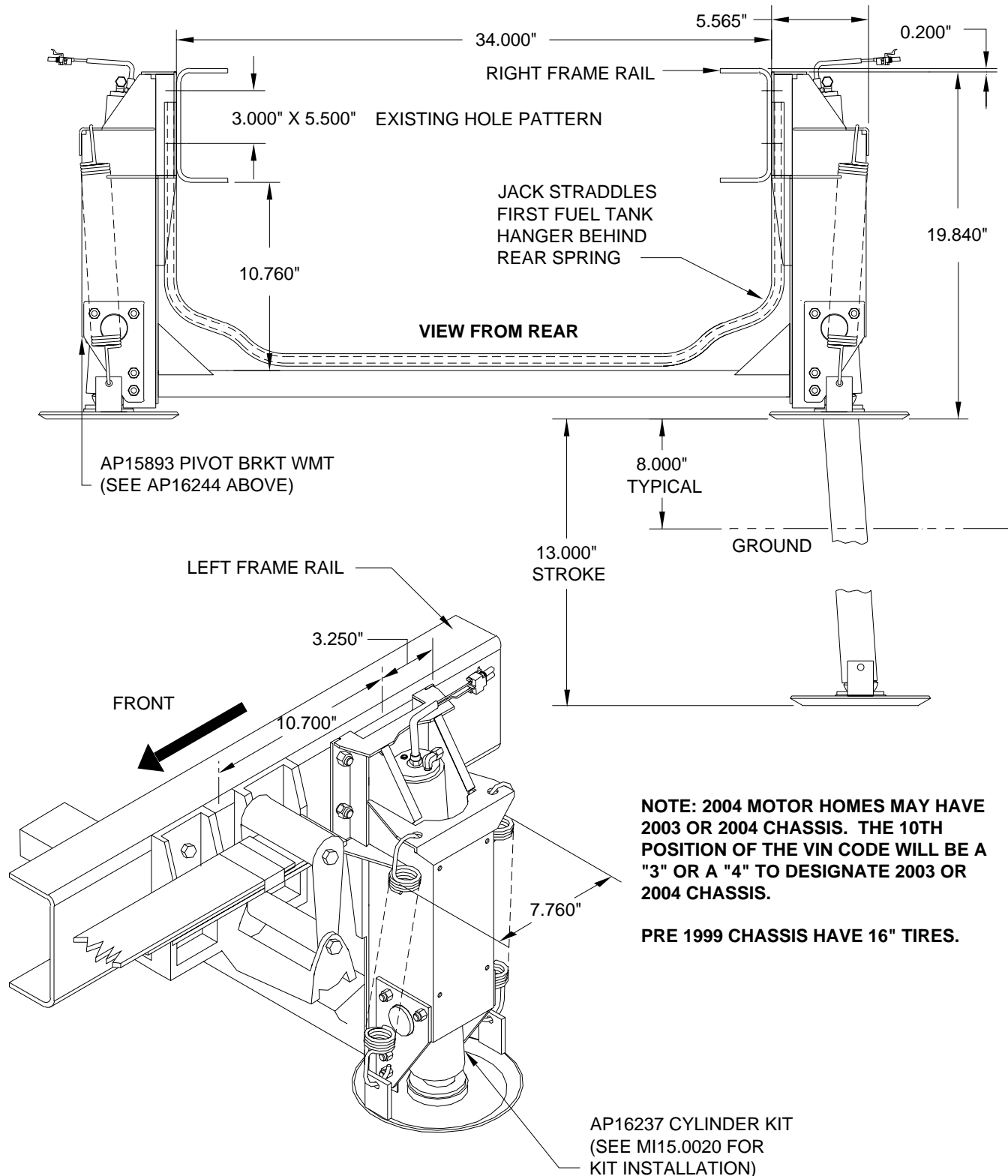
Includes: 1 - AP15893 Pivot Bracket
1 - AP16184 Hardware Kit

M.S.R.P.: See Item Price Listing

Mfr. #: AP16237 Cylinder Kit

Includes: 2 - AP15900 Cylinder 9,000 x 13
4 - Springs
2 - Feet
4 - Retaining Plates with Bolts

M.S.R.P.: See Item Price Listing



CAUTION: Follow CAUTIONS in Operator's and Installation Manuals concerning working under vehicles.

MI25.2055
01OCT03