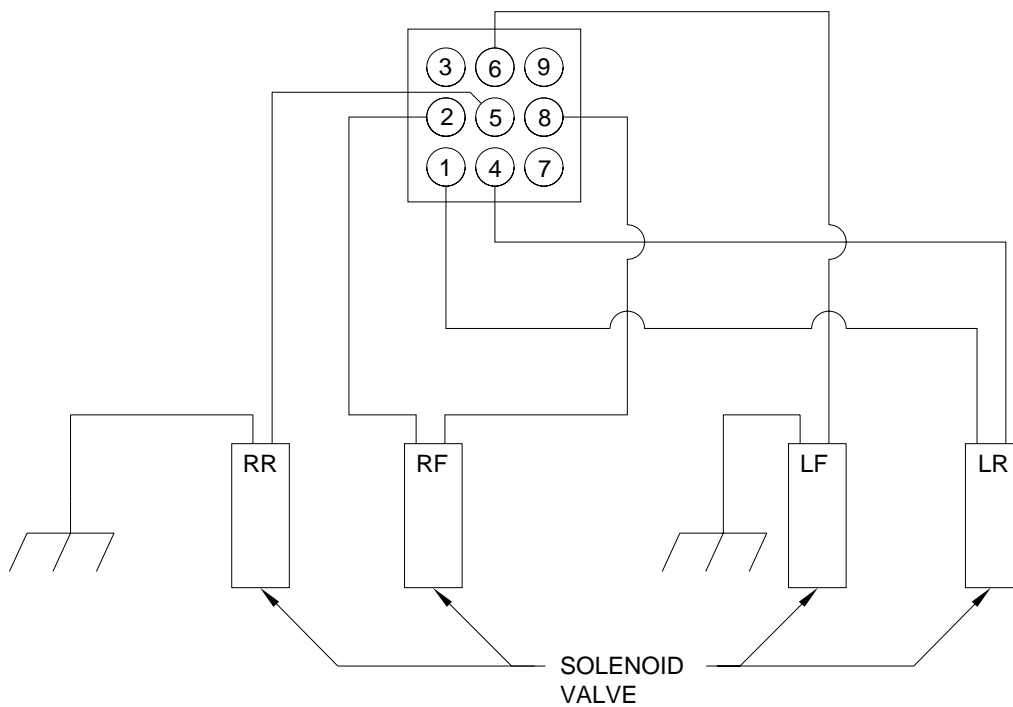
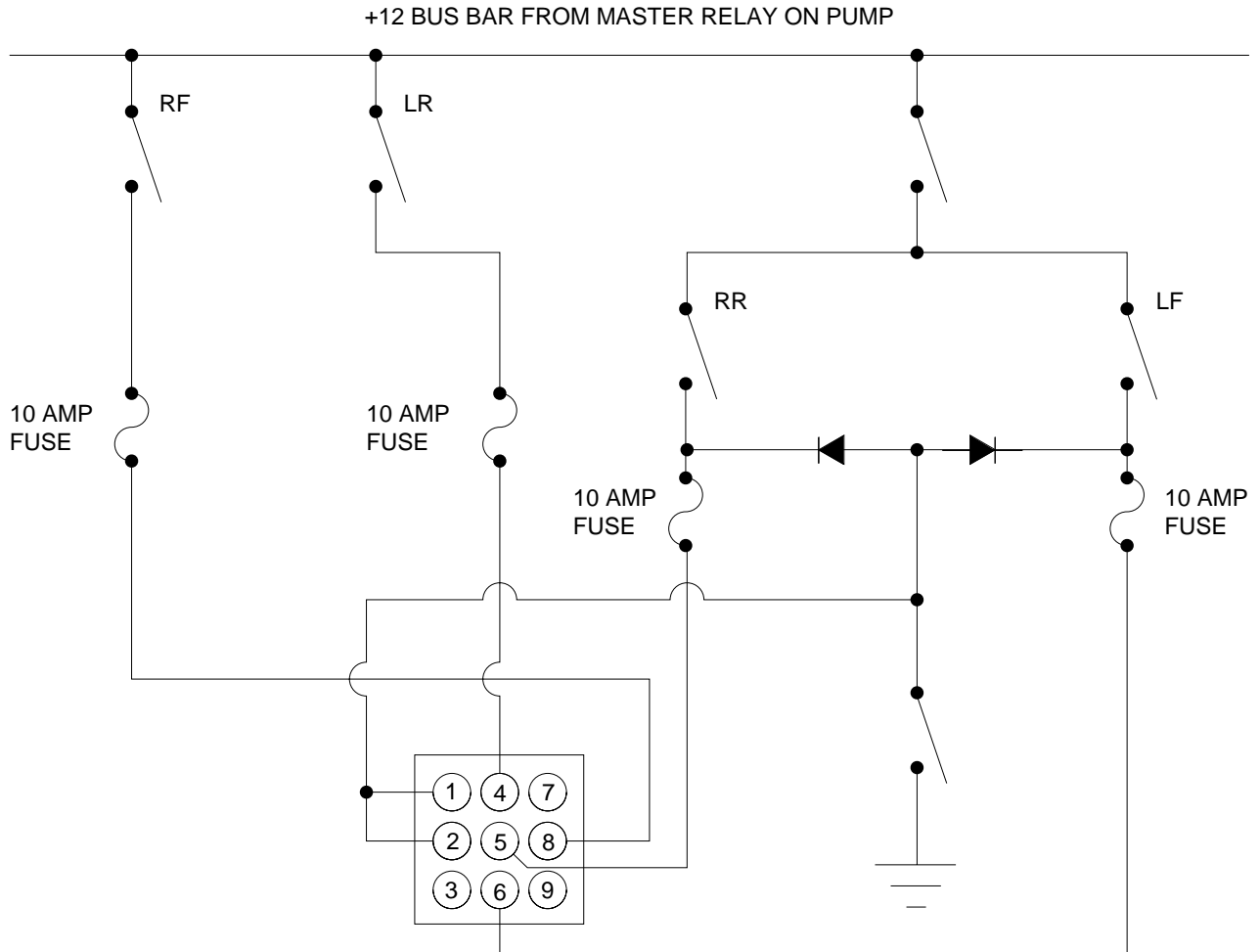


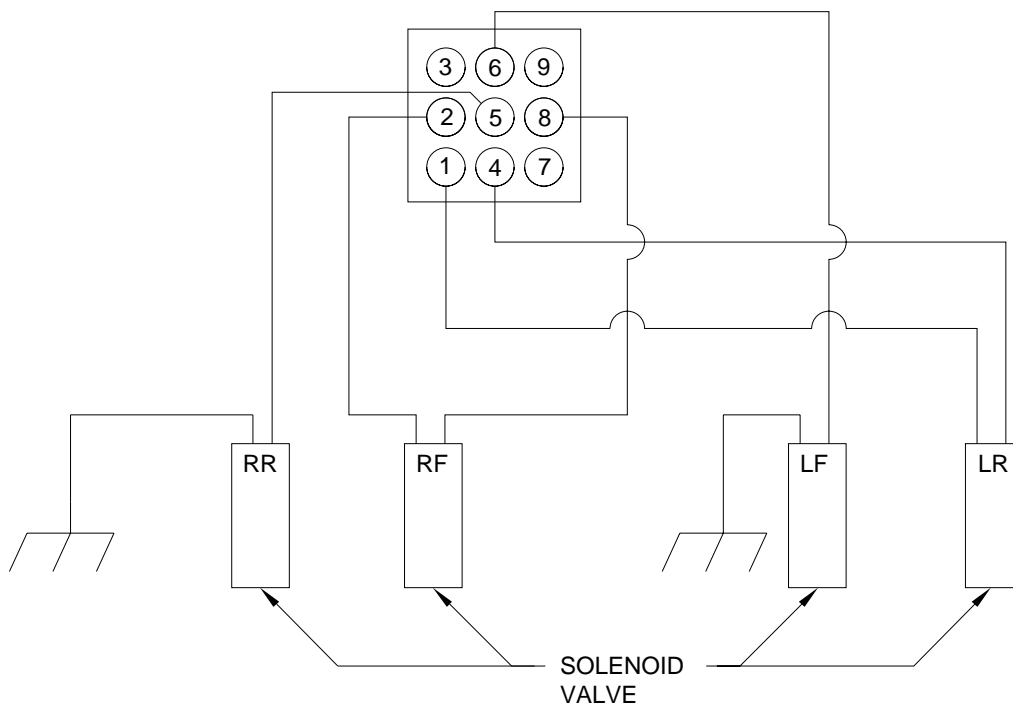
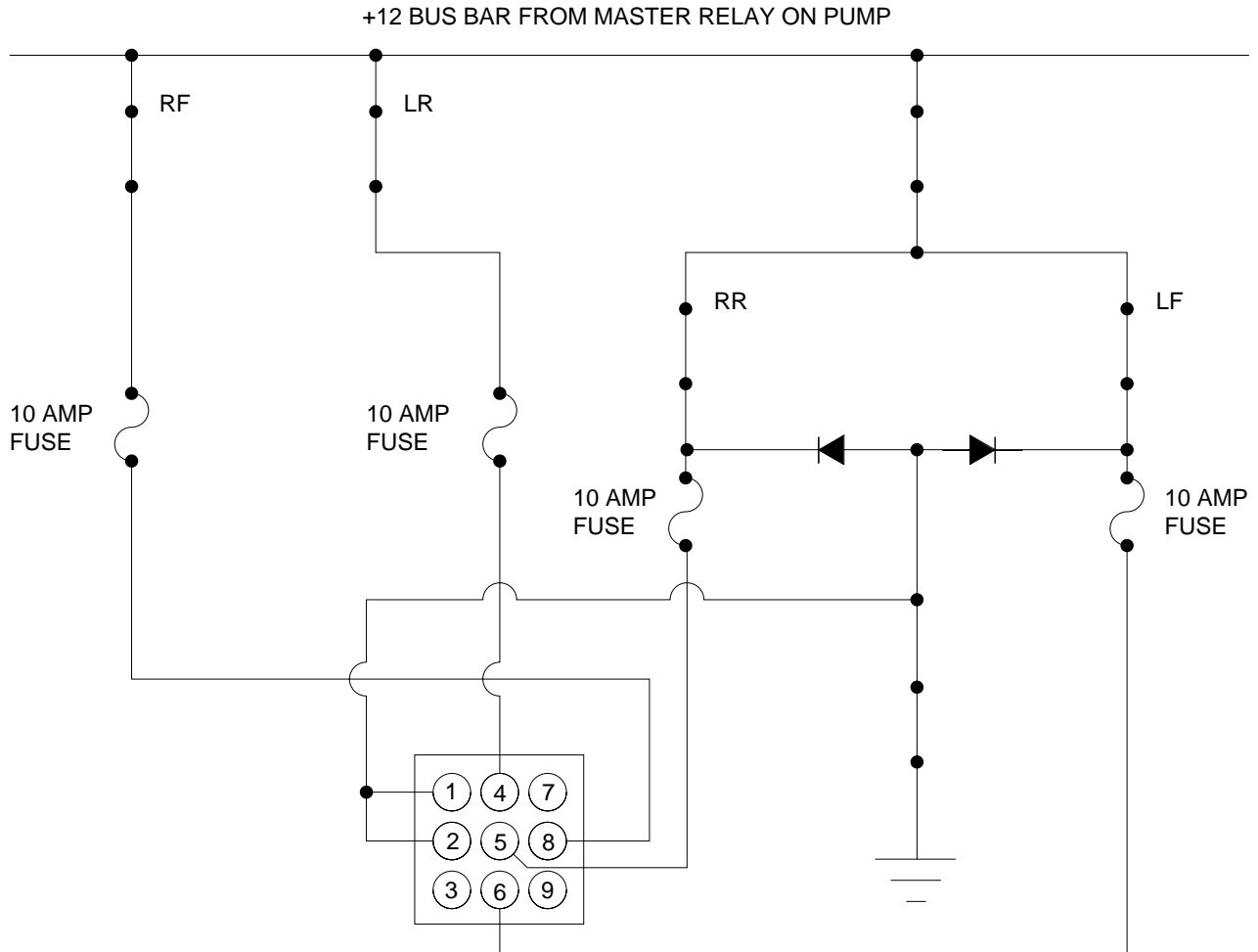
610 RELAY SCHEMATIC - SERIES/PARALLEL OPERATION HYDRAULIC SOLENOID OPERATION SYSTEM OFF



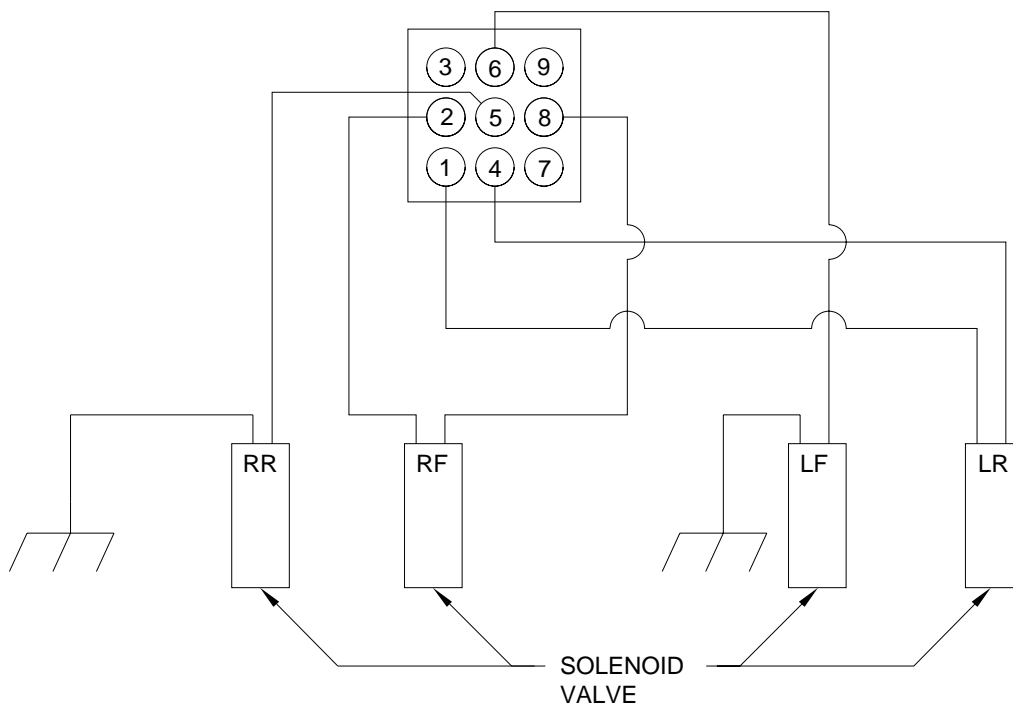
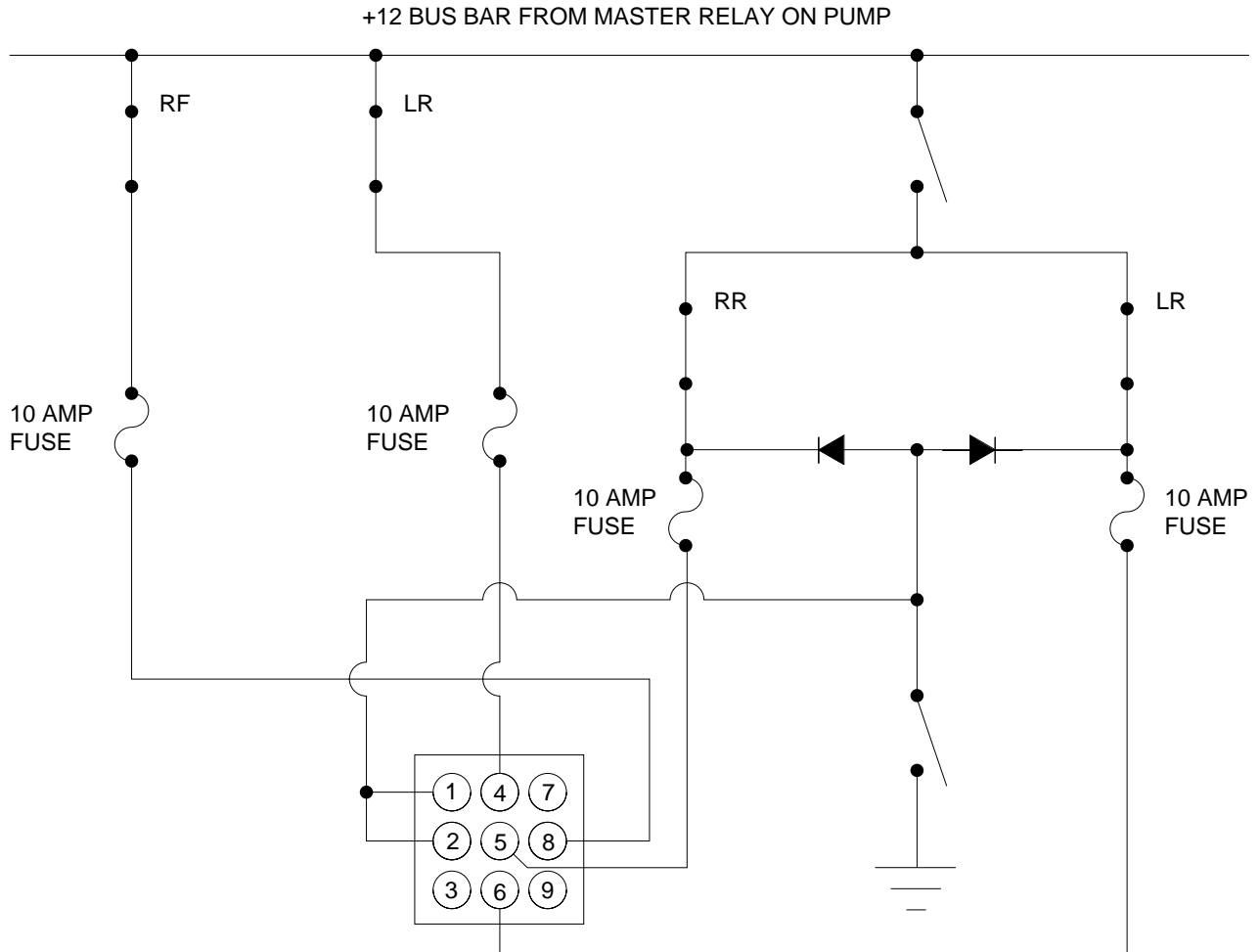
610 RELAY SCHEMATIC

HYDRAULIC SOLENOID OPERATION

ALL SOLENOIDS ACTIVATED-EXTEND OR RETRACT



610 RELAY SCHEMATIC HYDRAULIC SOLENOID OPERATION ALL SOLENOIDS ACTIVATED 2 SECONDS AFTER RETRACT STARTS



610 RELAY SCHEMATIC HYDRAULIC SOLENOID OPERATION RETRACT MODE WITH SHORTED SOLENOID

