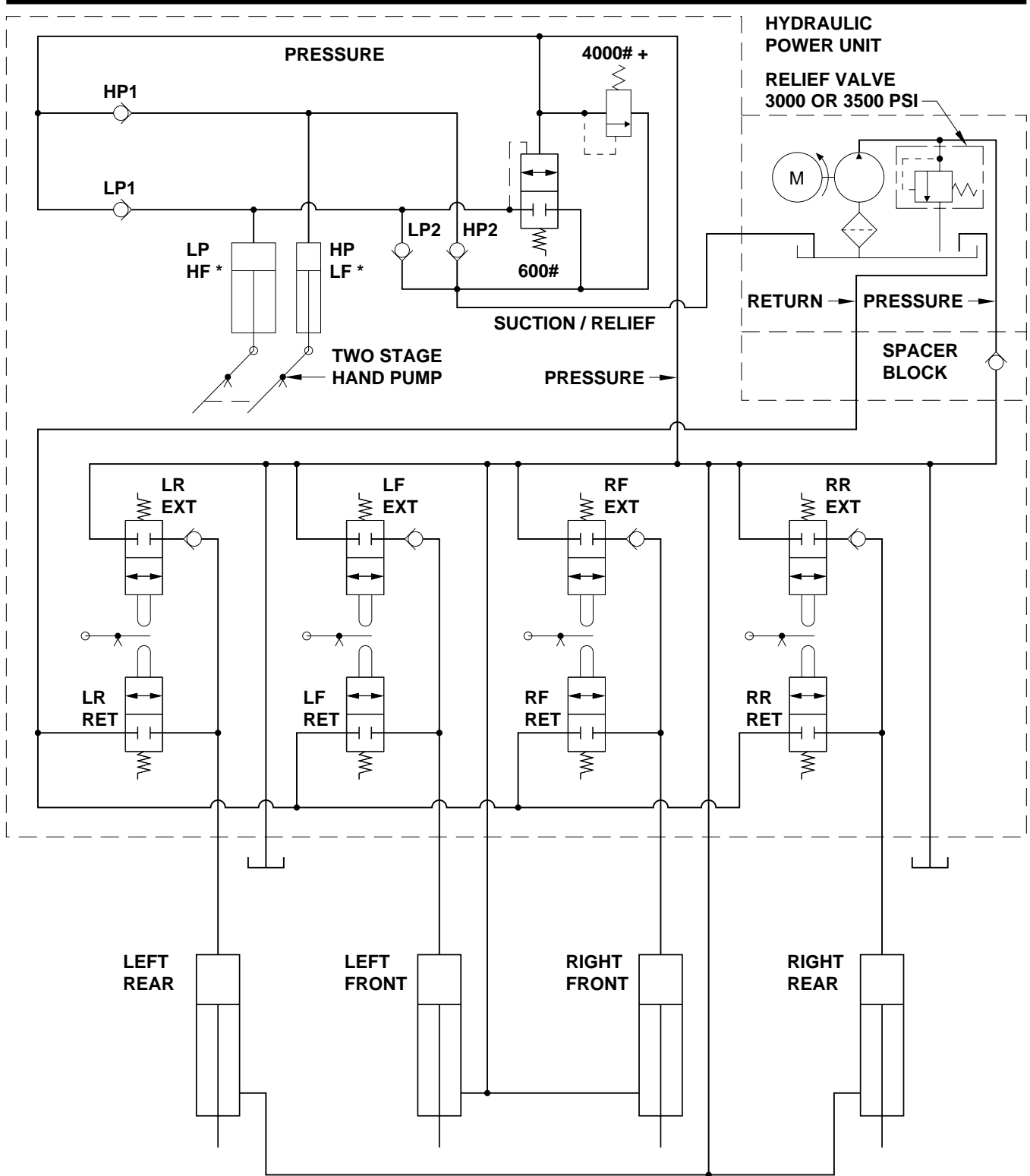


HYDRAULIC SCHEMATIC DIAGRAM

HAND PUMP ASSEMBLY WITH FOUR HYDRAULIC SWITCHES

FOUR DOUBLE-ACTING JACKS



* LPHF - LOW PRESSURE HIGH FLOW
 * HPLF - HIGH PRESSURE LOW FLOW

NOTE: DO NOT USE SCHEMATIC FOR CONNECTION INFORMATION. REFER TO SPECIFIC CONNECTION DIAGRAMS FOR CONNECTION INFORMATION.