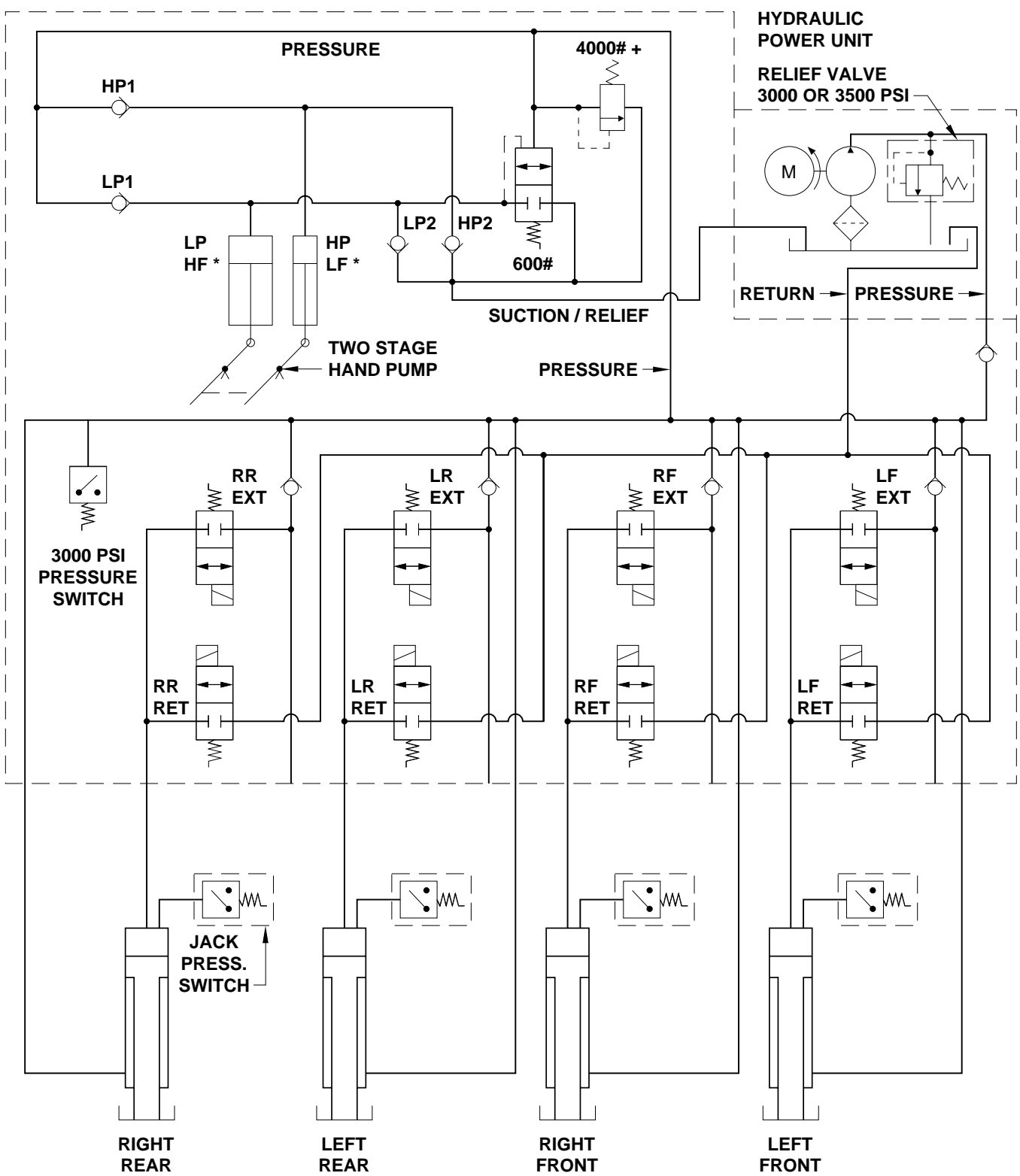


# HYDRAULIC SCHEMATIC DIAGRAM HAND PUMP ASSEMBLY WITH SOLENOID VALVES FOUR POWER-EXTEND/POWER-RETRACT JACKS UNCHECKED ROD CONNECTIONS



\* LPHF - LOW PRESSURE HIGH FLOW  
\* HPLF - HIGH PRESSURE LOW FLOW

NOTE: DO NOT USE SCHEMATIC FOR CONNECTION INFORMATION.  
REFER TO SPECIFIC CONNECTION DIAGRAMS FOR CONNECTION  
INFORMATION.