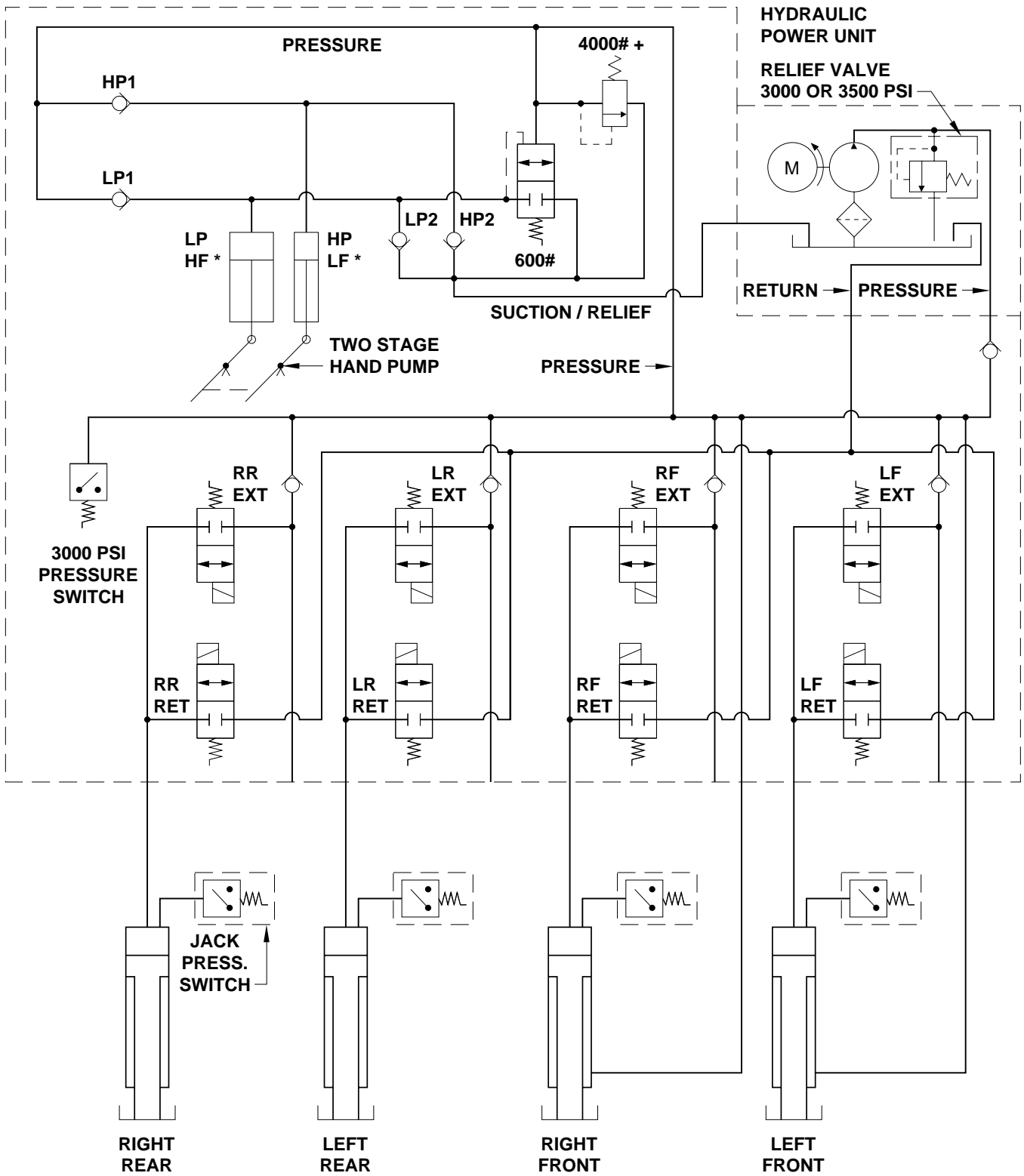


HYDRAULIC SCHEMATIC DIAGRAM HAND PUMP ASSEMBLY WITH SOLENOID VALVES TWO POWER-EXTEND/POWER-RETRACT JACKS AND TWO POWER-EXTEND/SPRING-RETRACT JACKS W/UNCHECKED ROD CONNECTIONS



* LPHF - LOW PRESSURE HIGH FLOW
* HPLF - HIGH PRESSURE LOW FLOW

NOTE: DO NOT USE SCHEMATIC FOR CONNECTION INFORMATION. REFER TO SPECIFIC CONNECTION DIAGRAMS FOR CONNECTION INFORMATION.

NOTE: SCHEMATIC IS SHOWN AS TYPICAL NON-MOTORIZED SYSTEM WITH DOUBLE-ACTING FRONT LANDING GEAR AND SINGLE-ACTING REAR JACKS. SOME SYSTEMS MAY HAVE SINGLE-ACTING FRONT JACKS AND DOUBLE-ACTING REAR JACKS.

MP64.4871
30MAR11