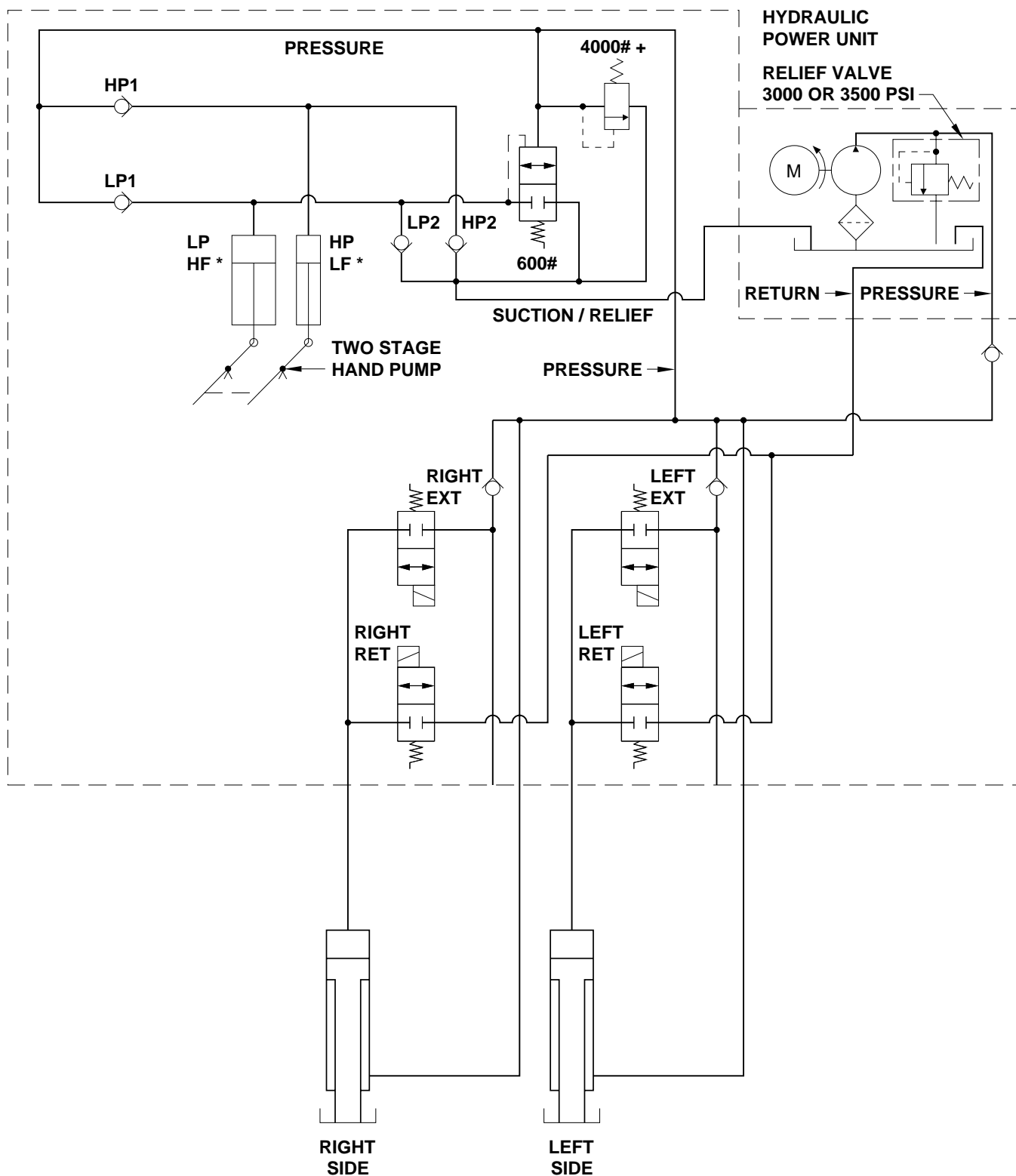


HYDRAULIC SCHEMATIC DIAGRAM HAND PUMP ASSEMBLY WITH SOLENOID VALVES TWO POWER-EXTEND/POWER-RETRACT JACKS UNCHECKED ROD CONNECTIONS



* LPHF - LOW PRESSURE HIGH FLOW
* HPLF - HIGH PRESSURE LOW FLOW

NOTE: DO NOT USE SCHEMATIC FOR CONNECTION INFORMATION.
REFER TO SPECIFIC CONNECTION DIAGRAMS FOR CONNECTION
INFORMATION.