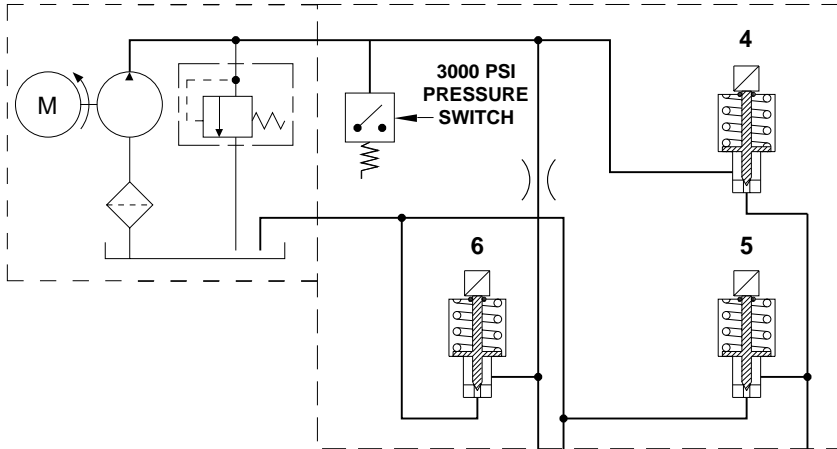


HYDRAULIC SCHEMATIC DIAGRAM

PRECISION LEVELING

4 - POWER - EXTEND / POWER - RETRACT JACKS

PUMP / MANIFOLD ASSEMBLY



VALVES 1 AND 2 ARE OPEN FOR MANUAL AND AUTOMATIC JACK EXTEND - NON PRECISION LEVELING

VALVE 1 IS OPEN DURING PRECISION LEVELING

VALVE 3 IS ONLY OPENED TO RETRACT JACKS

VALVE 4 IS ONLY OPENED TO RETRACT JACKS

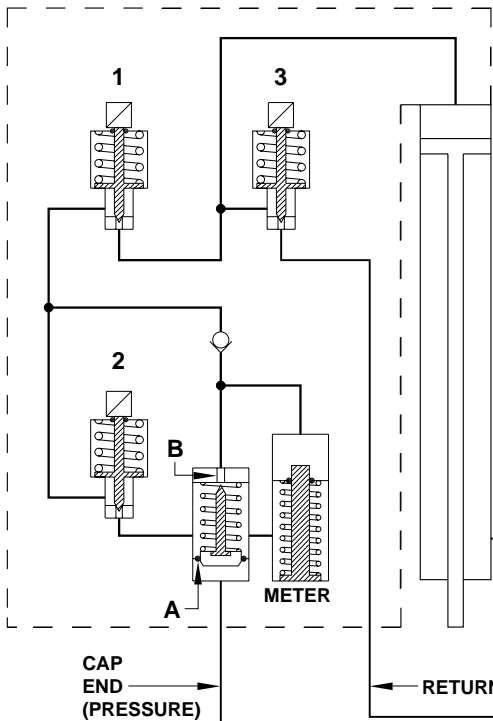
VALVE 5 IS OPEN ANYTIME A JACK IS EXTENDING - MANUAL, AUTOMATIC AND PRECISION LEVELING

VALVE 6 OPENS TO UNLOAD PRESSURE DURING PRECISION LEVELING

"A" OPENS AND "B" CLOSSES WHEN PUSHING METERED FLUID TO THE JACK

"A" CLOSSES AND "B" OPENS TO RELOAD THE METER ASSEMBLY

LEFT FRONT JACK ASSEMBLY



RIGHT FRONT JACK ASSEMBLY

ALL JACK MANIFOLDS WILL HAVE SOLENOID VALVES NUMBERED 1, 2 AND 3

NOTE: SCHEMATIC DRAWING FOR ALL JACKS ARE THE SAME

LEFT REAR JACK ASSEMBLY

RIGHT REAR JACK ASSEMBLY