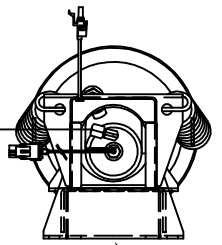


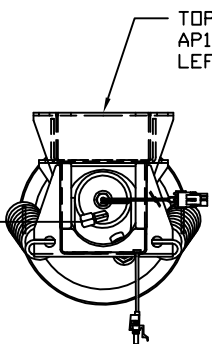
ORIENTATION
← FRONT



TOP VIEW
AP18815
RIGHT FRONT

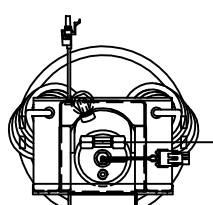
NOTE: CROSS TIE REQUIRED
FOR FRONT JACKS

RIGHT
FRONT
HOSE



TOP VIEW
AP18816
LEFT FRONT

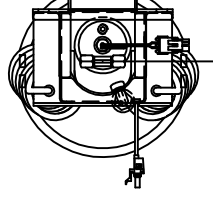
LEFT
FRONT
HOSE



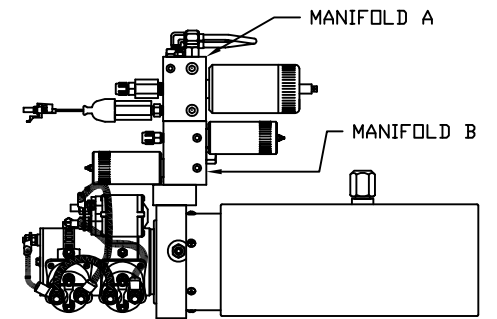
TOP VIEW
AP16106
REAR JACKS

REAR JACK KIT:
AP16183

RIGHT
REAR
HOSE

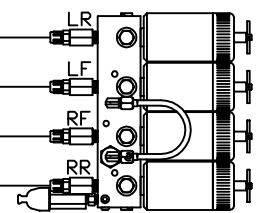


LEFT
REAR
HOSE



SIDE VIEW OF PUMP/MANIFOLD-AP18163
NOTE: SOME POWER UNITS HAVE LARGE VALVES.

TOP VIEW - MANIFOLD A



MODEL	HOSE KIT	LF HOSE	RF HOSE	RR HOSE	LR HOSE
M37B	AP15492	NO INFORMATION AVAILABLE			
M39Y	AP15492	NO INFORMATION AVAILABLE			

LEVELING SYSTEM: AP18141

NO.	DATE	REVISION

THE INFORMATION DISCLOSED ON THIS DRAWING IS CONFIDENTIAL AND MUST NOT BE DISCLOSED OR USED IN ANY MANNER WHICH WILL BE DETRIMENTAL TO THE HWH CORPORATION

HWH I-80 EXIT 267 SOUTH
RT 1 MOSCOW, IOWA 52760

SCALE 1:6 DATE 01AUG05 DRAWN BY .

HYD CONN DIAGRAM

WINNEBAGO

DRAWING NUMBER
MP69017 A/B

ORIENTATION

← FRONT

NOTE: HOSES C MUST BE HIGH PRESSURE HOSES OF EQUAL LENGTH AND DIAMETER

NOTE: HOSES D MUST BE EQUAL LENGTH AND DIAMETER

MODEL	HOSE A	HOSE B	HOSES C	HOSES D	HOSE E	HOSE F
M37B	NO INFO AVAILABLE	AP24642	AP5384	NO INFO AVAILABLE	NO INFO AVAILABLE	NO INFO AVAILABLE
M39Y	NO INFO AVAILABLE	AP24642	AP5384	NO INFO AVAILABLE	NO INFO AVAILABLE	NO INFO AVAILABLE

NOTE: SEE AP15492 FOR ROOM EXTENSION HOSE INFORMATION.

