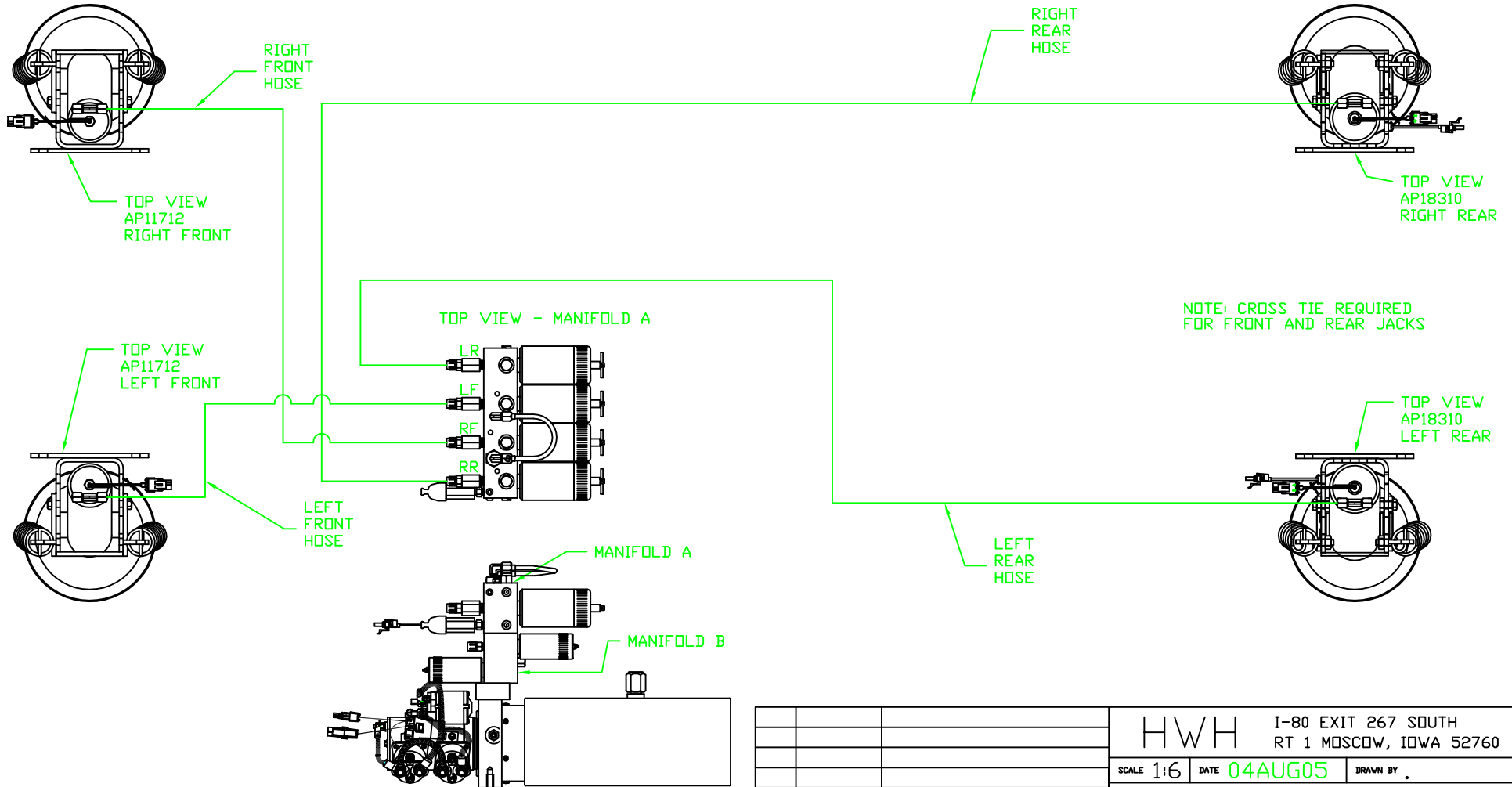


ORIENTATION
← FRONT

MODEL	HOSE KIT	LF HOSE	RF HOSE	RR HOSE	LR HOSE
*Q36C	AP18572	AP4310	AP4061	AP6601	AP7358
Q36C	AP14867	AP4313	AP4073	AP7099	AP4073

*2000 AND 2001 PRODUCTION MODELS



SIDE VIEW OF PUMP/MANIFOLD-AP18799
NOTE: SOME POWER UNITS HAVE LARGE VALVES.

LEVELING SYSTEM: AP18077

		HWH		I-80 EXIT 267 SOUTH RT 1 MOSCOW, IOWA 52760	
		SCALE 1:6	DATE 04AUG05	DRAWN BY .	
		HYD CONN DIAGRAM			
		WINNEBAGO		DRAWING NUMBER MP69018 A/C	
NO.	DATE	REVISION			
THE INFORMATION DISCLOSED ON THIS DRAWING IS CONFIDENTIAL AND MUST NOT BE DISCLOSED OR USED IN ANY MANNER WHICH WILL BE DETRIMENTAL TO THE HWH CORPORATION					

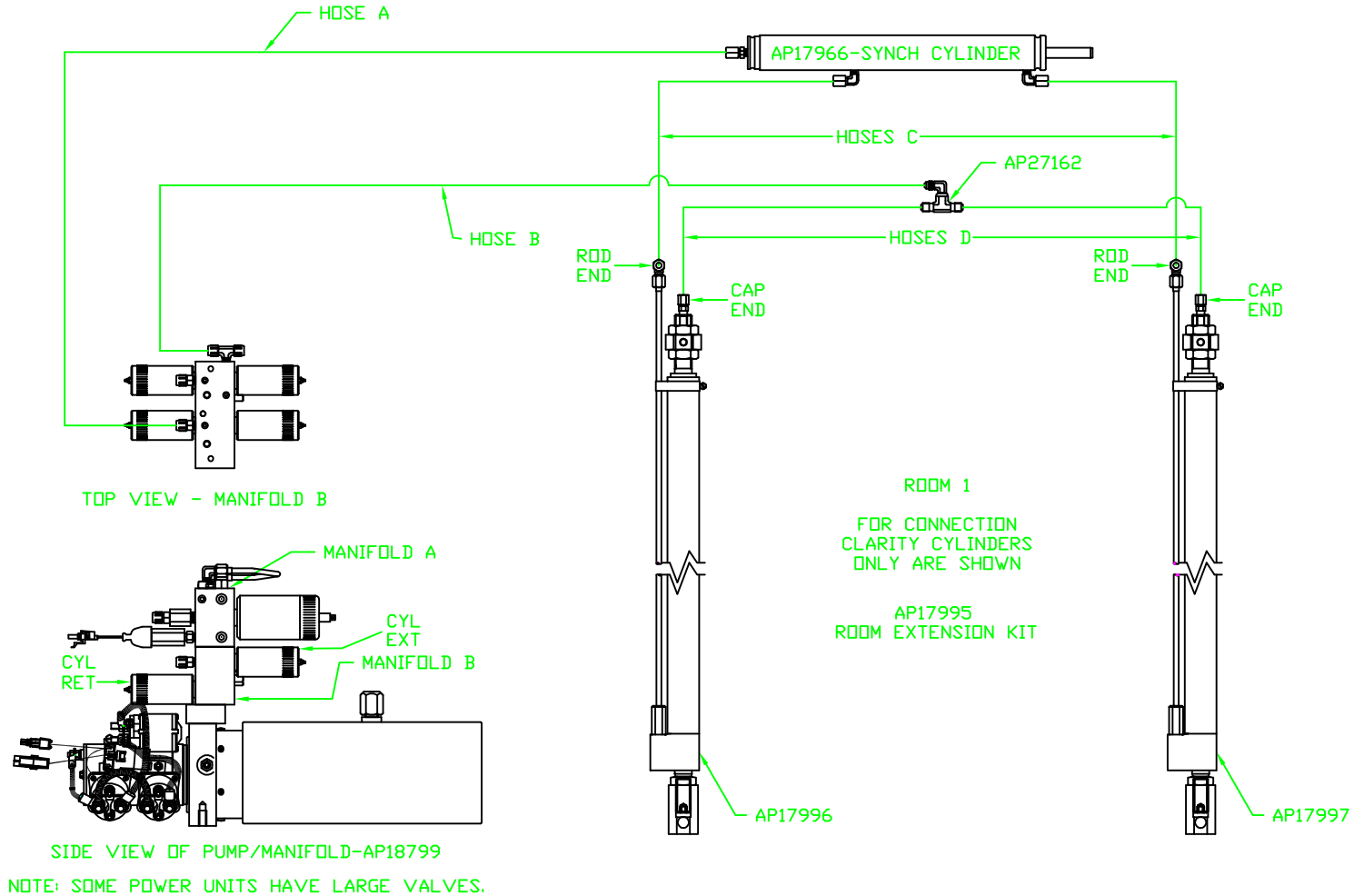
ORIENTATION

← FRONT

NOTE: HOSES C MUST BE HIGH PRESSURE HOSES OF EQUAL LENGTH AND DIAMETER

NOTE: HOSES D MUST BE EQUAL LENGTH AND DIAMETER

MODEL	HOSE A	HOSE B	HOSES C	HOSES D
Q36C	AP4906	AP4074	AP24642	AP5384



SIDE VIEW OF PUMP/MANIFOLD-AP18799
NOTE: SOME POWER UNITS HAVE LARGE VALVES.

ORIENTATION

← FRONT

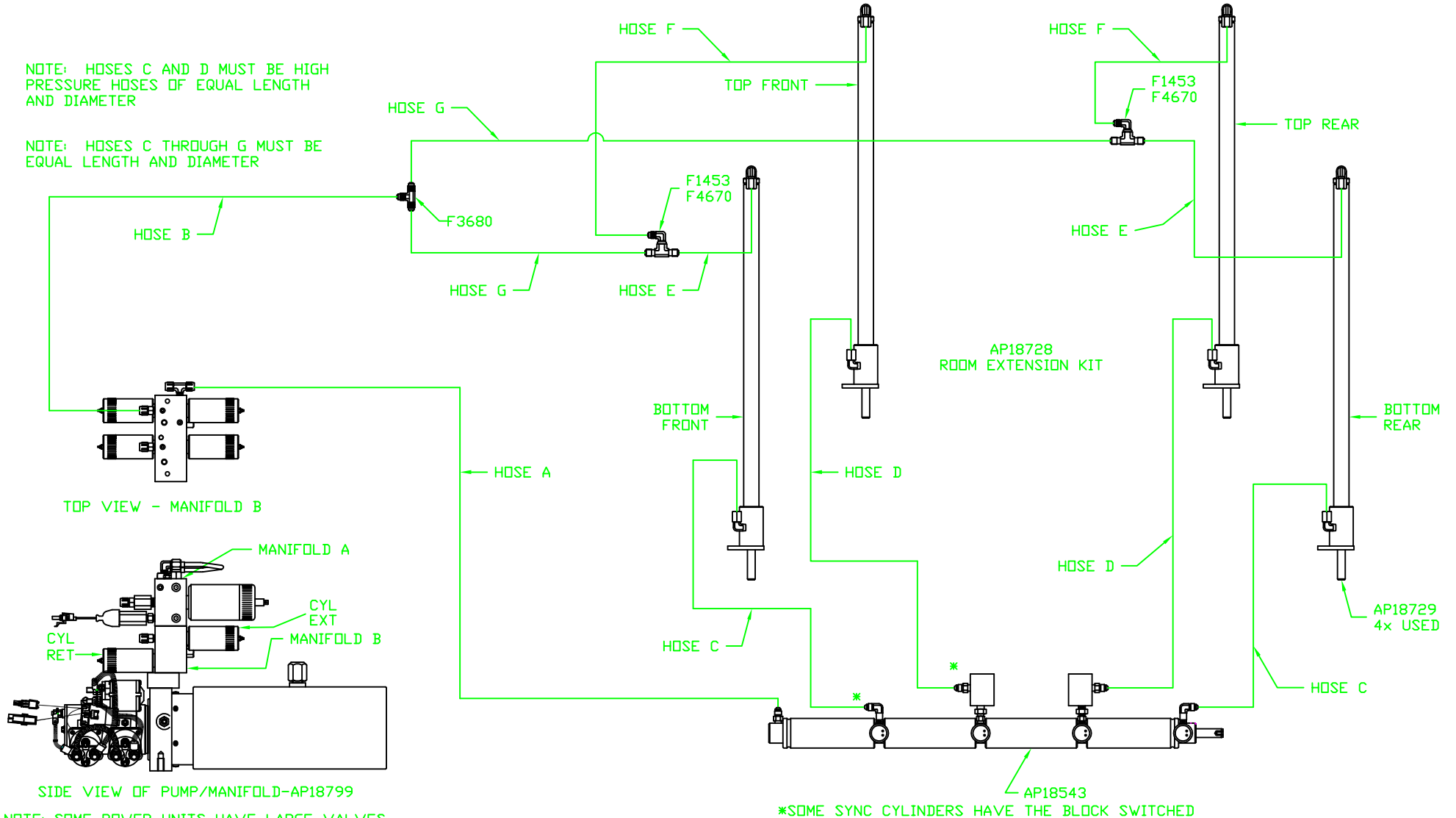
MODEL	HOSE A	HOSE B	HOSES C	HOSES D	HOSES E	HOSES F	HOSES G
Q36C	**AP4667	**AP4064	AP18803	AP18804	AP11560	AP1583	AP4161

**2000 PRODUCTION MODES USE AP8985 AND AP2464

THIS SHEET IS FOR 1999 AND 2000 PRODUCTION YEARS. FOR 2001 4 CYL SLIDE INFO SEE MP69148.

NOTE: HOSES C AND D MUST BE HIGH PRESSURE HOSES OF EQUAL LENGTH AND DIAMETER

NOTE: HOSES C THROUGH G MUST BE EQUAL LENGTH AND DIAMETER



TOP VIEW - MANIFOLD B

MANIFOLD A
CYL EXT
MANIFOLD B
CYL RET

SIDE VIEW OF PUMP/MANIFOLD-AP18799

NOTE: SOME POWER UNITS HAVE LARGE VALVES.

AP18728
ROOM EXTENSION KIT

AP18729
4x USED

AP18543

*SOME SYNC CYLINDERS HAVE THE BLOCK SWITCHED