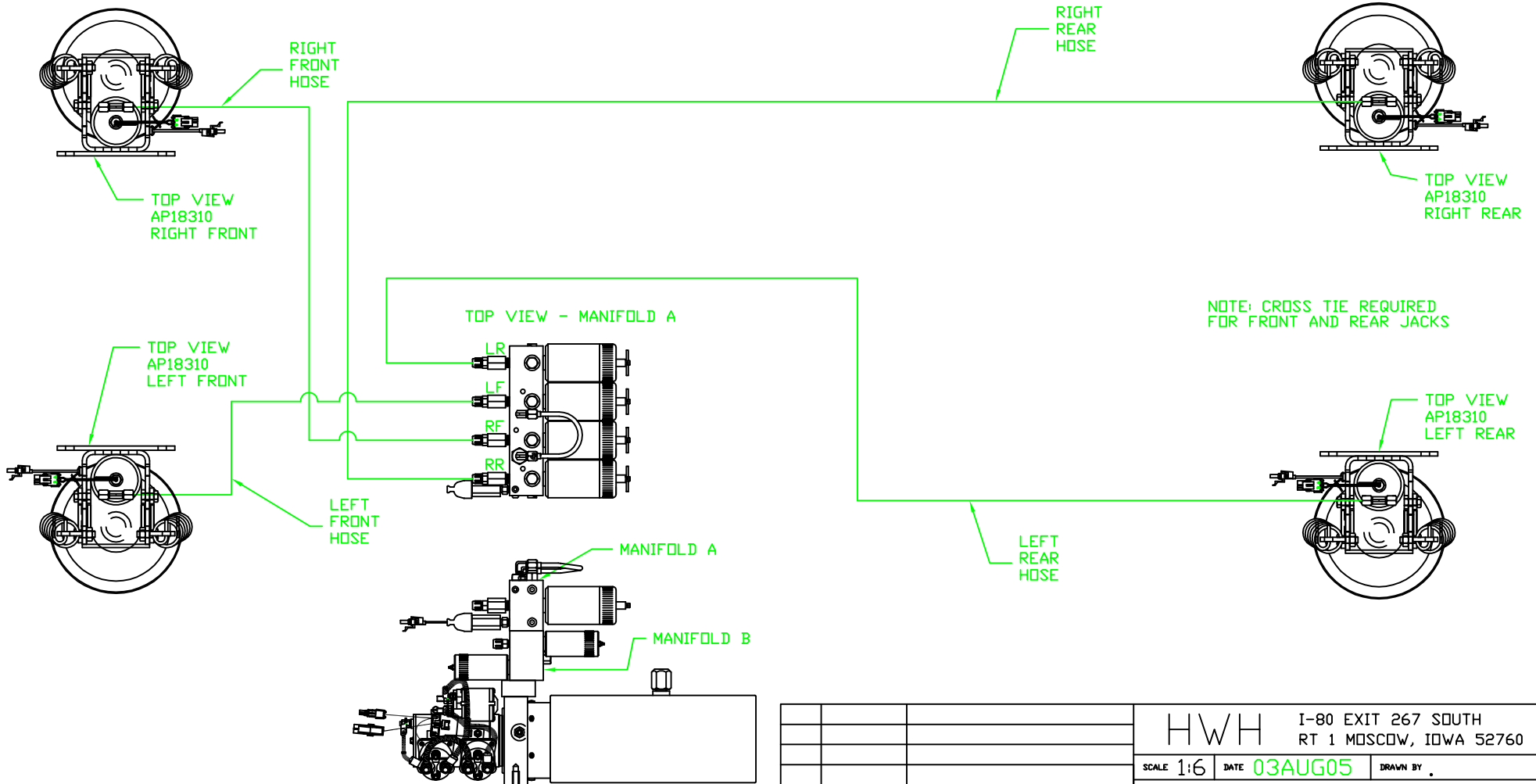


ORIENTATION
← FRONT

MODEL	HOSE KIT	LF HOSE	RF HOSE	RR HOSE	LR HOSE
Q40KD	AP17555	AP4310	AP4061	AP6601	AP7358
Q40JD	AP17555	AP4310	AP4061	AP6601	AP7358
Q40WD	AP17555	AP4310	AP4061	AP6601	AP7358



SIDE VIEW OF PUMP/MANIFOLD-AP18196
NOTE: SOME POWER UNITS HAVE LARGE VALVES.

LEVELING SYSTEM: AP19866

		HWH I-80 EXIT 267 SOUTH RT 1 MOSCOW, IOWA 52760	
SCALE 1:6	DATE 03AUG05	DRAWN BY .	
HYD CONN DIAGRAM			
WINNEBAGO		DRAWING NUMBER MP69020 A/B	
NO.	DATE	REVISION	
THE INFORMATION DISCLOSED ON THIS DRAWING IS CONFIDENTIAL AND MUST NOT BE DISCLOSED OR USED IN ANY MANNER WHICH WILL BE DETRIMENTAL TO THE HWH CORPORATION			

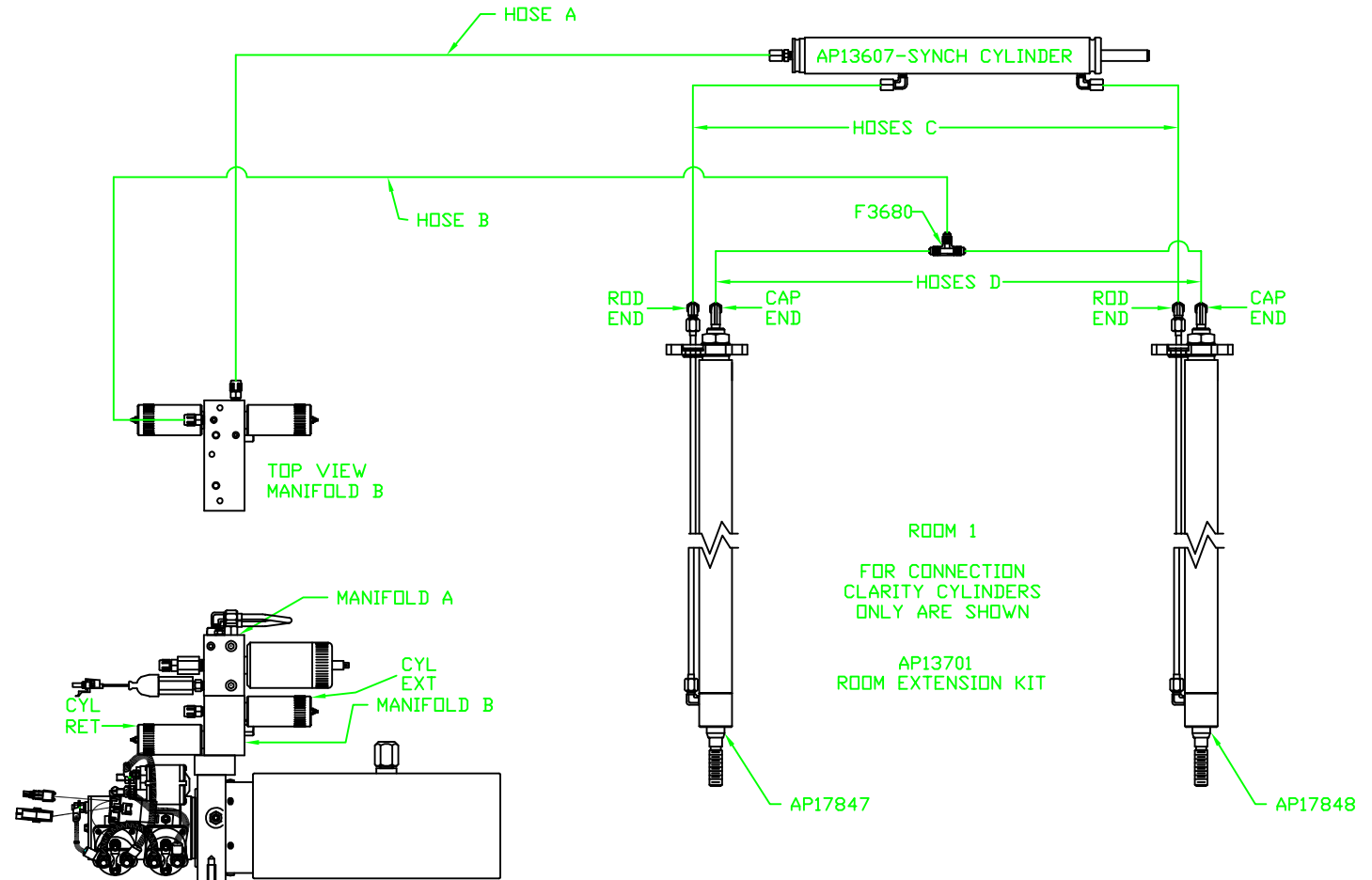
ORIENTATION

← FRONT

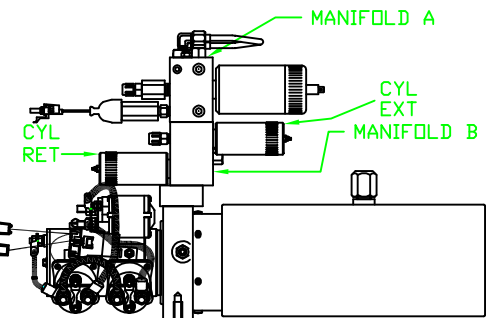
NOTE: HOSES C MUST BE HIGH PRESSURE HOSES OF EQUAL LENGTH AND DIAMETER

NOTE: HOSES D MUST BE EQUAL LENGTH AND DIAMETER

MODEL	HOSE A	HOSE B	HOSES C	HOSES D
Q40KD	AP7832	AP1412	AP24642	AP5384
Q40JD	AP7832	AP1412	AP24642	AP5384
Q40WD	AP7832	AP1412	AP24642	AP5384



TOP VIEW
MANIFOLD B



SIDE VIEW OF PUMP/MANIFOLD-AP18196
NOTE: SOME POWER UNITS HAVE LARGE VALVES.

ROOM 1
FOR CONNECTION
CLARITY CYLINDERS
ONLY ARE SHOWN
AP13701
ROOM EXTENSION KIT