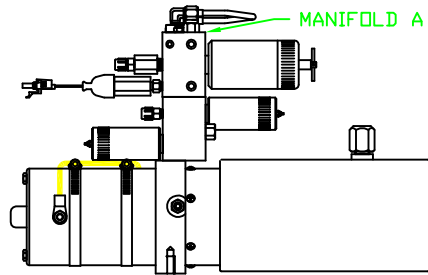
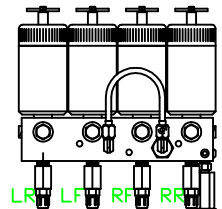


ORIENTATION
← FRONT

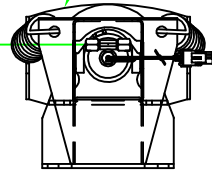


SIDE VIEW OF PUMP/MANIFOLD-AP31466
NOTE: SOME SYSTEMS USE AP19561

TOP VIEW - MANIFOLD A

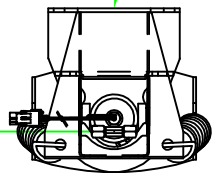


TOP VIEW
AP16112
RIGHT FRONT



NOTE: CROSS TIE REQUIRED
FOR FRONT JACKS

TOP VIEW
AP16112
LEFT FRONT



RIGHT
FRONT
HOSE

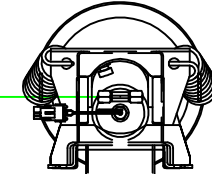
LEFT
FRONT
HOSE

RIGHT
REAR
HOSE

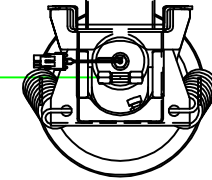
LEFT
REAR
HOSE

MODEL	HOSE KIT	LF HOSE	RF HOSE	RR HOSE	LR HOSE
G32V	AP19681	AP5352	AP2443	AP4164	AP4163
G35B	AP19681	AP5352	AP2443	AP4164	AP4163
G35S	AP19681	AP5352	AP2443	AP4164	AP4163
G37G	AP19679	AP5352	AP2443	AP27563	AP4312
G38S	AP19681	AP5352	AP2443	AP4164	AP4163
*G38S	AP19679	AP5352	AP2443	AP27563	AP4312

*2004 PRODUCTION MODEL



TOP VIEW
AP15891
REAR JACKS



REAR JACK
KIT:
AP16915

LEVELING SYSTEM: AP19139

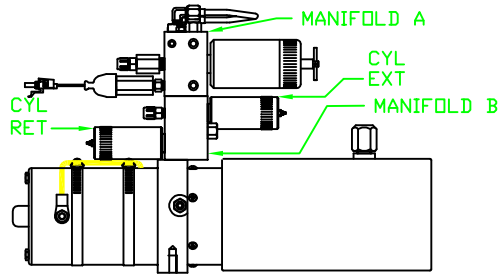
		HWH I-80 EXIT 267 SOUTH RT 1 MOSCOW, IOWA 52760	
		SCALE 1:6	DATE 15AUG05
		DRAWN BY .	
NO.	DATE	REVISION	
		HYD CONN DIAGRAM	
		WINNEBAGO	DRAWING NUMBER MP69035 A/C

THE INFORMATION DISCLOSED ON THIS DRAWING IS CONFIDENTIAL AND MUST NOT BE DISCLOSED OR USED IN ANY MANNER WHICH WILL BE DETRIMENTAL TO THE HWH CORPORATION

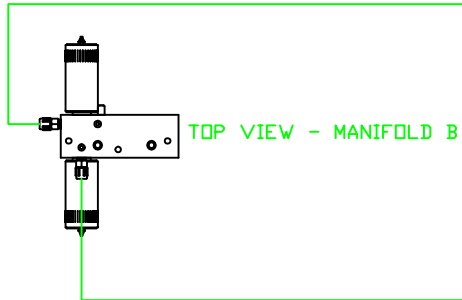
ORIENTATION

← FRONT

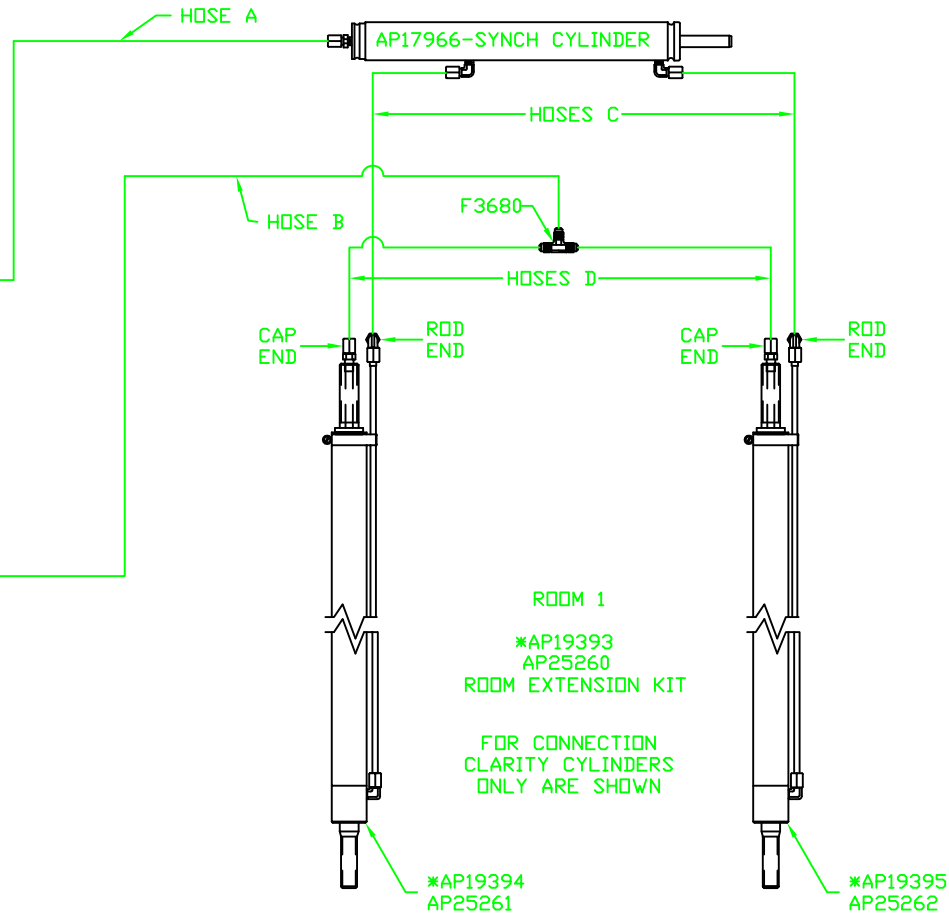
MODEL	HOSE A	HOSE B	HOSES C	HOSES D
G32V	AP5965	AP7358	AP24642	AP5384
G35B	SEE MP69035 C			
G35S	AP5965	AP7358	AP24642	AP5384
G37G	AP5965	AP7358	AP24642	AP5384
G38S	AP5965	AP7358	AP24642	AP5384



SIDE VIEW OF PUMP/MANIFOLD-AP31466
NOTE: SOME SYSTEMS USE AP19561



TOP VIEW - MANIFOLD B



NOTE: HOSES C MUST BE HIGH PRESSURE HOSES OF EQUAL LENGTH AND DIAMETER

NOTE: HOSES D MUST BE EQUAL LENGTH AND DIAMETER

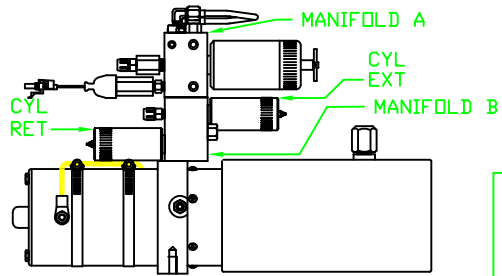
ROOM 1
*AP19393
AP25260
ROOM EXTENSION KIT

FOR CONNECTION CLARITY CYLINDERS ONLY ARE SHOWN

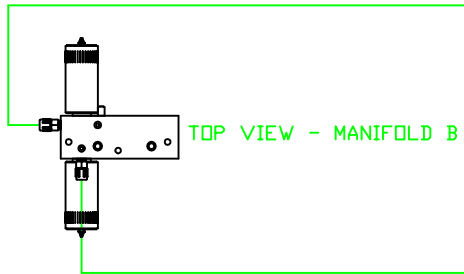
*FOR 2000 AND 2001 PRODUCTION MODELS

ORIENTATION
← FRONT

MODEL	HOSE A	HOSE B	HOSES C	HOSES D
G32V	SEE MP69035 B			
G35B	AP5965	AP7358	AP24642	AP5384
G35S	SEE MP69035 B			
G37G	SEE MP69035 B			
G38S	SEE MP69035 B			



SIDE VIEW OF PUMP/MANIFOLD-AP31466
NOTE: SOME SYSTEMS USE AP19561



NOTE: HOSES C MUST BE HIGH PRESSURE HOSES OF EQUAL LENGTH AND DIAMETER

NOTE: HOSES D MUST BE EQUAL LENGTH AND DIAMETER

