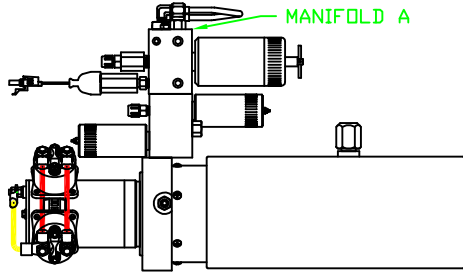
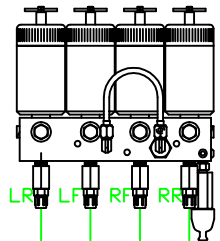


ORIENTATION
← FRONT



SIDE VIEW OF PUMP/MANIFOLD-AP24800
NOTE: SOME SYSTEMS USE AP19501

TOP VIEW - MANIFOLD A

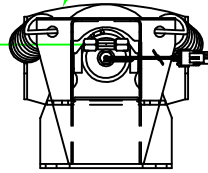


LR LF RF RR

RIGHT FRONT HOSE

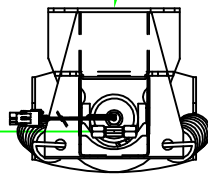
LEFT FRONT HOSE

TOP VIEW AP16112 RIGHT FRONT



NOTE: CROSS TIE REQUIRED FOR FRONT JACKS

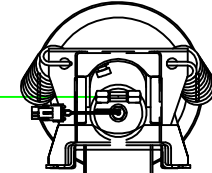
TOP VIEW AP16112 LEFT FRONT



RIGHT REAR HOSE

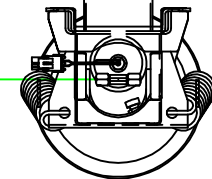
LEFT REAR HOSE

MODEL	HOSE KIT	LF HOSE	RF HOSE	RR HOSE	LR HOSE
G31Y	AP19681	AP5352	AP2443	AP4164	AP4163
G33V	AP19681	AP5352	AP2443	AP4164	AP4163
G35U	AP19681	AP5352	AP2443	AP4164	AP4163
G37C	AP19679	AP5352	AP2443	AP27563	AP4312
G38G	AP19679	AP5352	AP2443	AP27563	AP4312
G30Y	AP19681	AP5352	AP2443	AP4164	AP4163
G32V	AP19681	AP5352	AP2443	AP4164	AP4163
L34Y	AP19681	AP5352	AP2443	AP4164	AP4163
L35U	AP19681	AP5352	AP2443	AP4164	AP4163
L36W	AP19681	AP5352	AP2443	AP4164	AP4163



TOP VIEW AP15891 REAR JACKS

REAR JACK KIT: AP16915



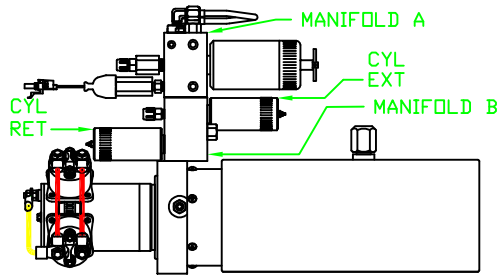
LEVELING SYSTEM: AP19423

		HWH		I-80 EXIT 267 SOUTH RT 1 MOSCOW, IOWA 52760	
		SCALE 1:6	DATE 12AUG05	DRAWN BY .	
		HYD CONN DIAGRAM			
NO.	DATE	REVISION			
		WINNEBAGO		DRAWING NUMBER MP69036 A/E	
THE INFORMATION DISCLOSED ON THIS DRAWING IS CONFIDENTIAL AND MUST NOT BE DISCLOSED OR USED IN ANY MANNER WHICH WILL BE DETRIMENTAL TO THE HWH CORPORATION					

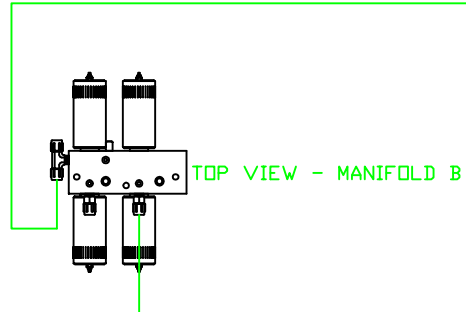
ORIENTATION
← FRONT

MODEL	HOSE A	HOSE B	HOSES C	HOSES D
G31Y	SEE MP69036 C OR D			
G33V	SEE MP69036 C OR D			
G35U	SEE MP69036 C OR D			
G37C	AP5965	AP7358	AP24642	AP5384
G38G	SEE MP69036 D			
G30Y	SEE MP69036 C			
G32V	SEE MP69036 C			
L34Y	AP5965	AP7358	AP24642	AP5384
L35U	SEE MP69036 C			
L36W	SEE MP69036 D			

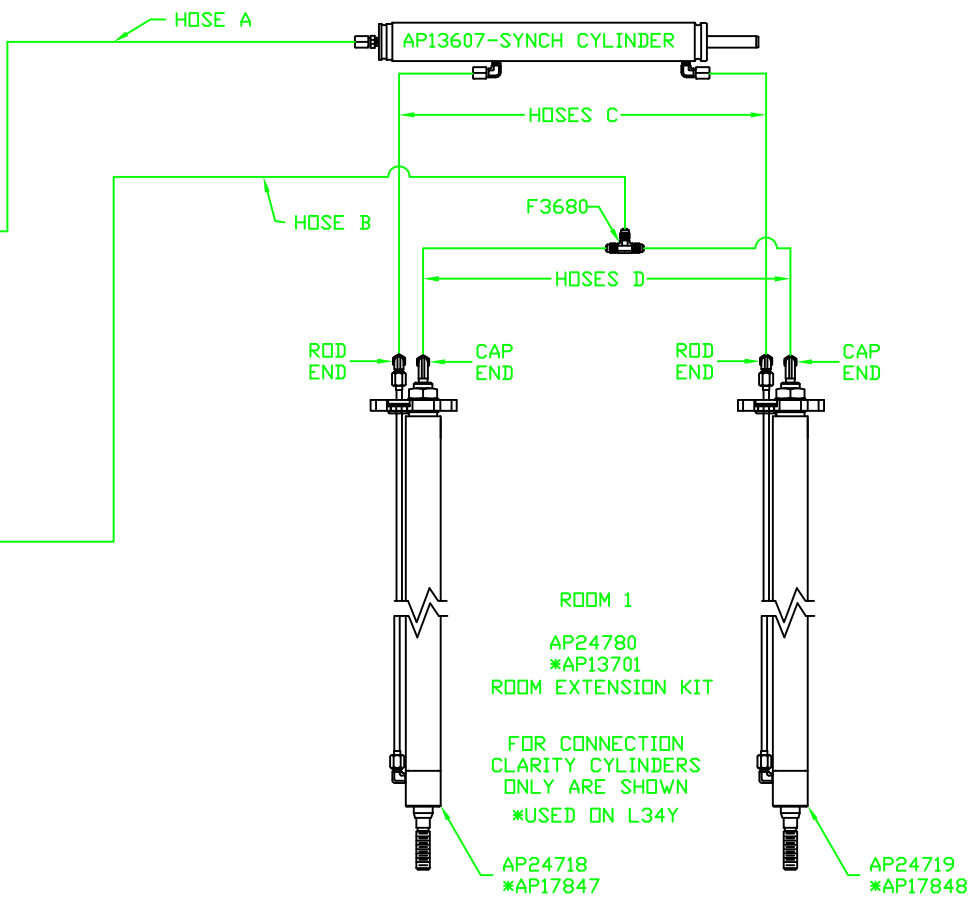
THIS SHEET IS FOR 2004, 2001 AND 2000 PRODUCTION MODELS.



SIDE VIEW OF PUMP/MANIFOLD-AP24800
NOTE: SOME SYSTEMS USE AP19501



TOP VIEW - MANIFOLD B

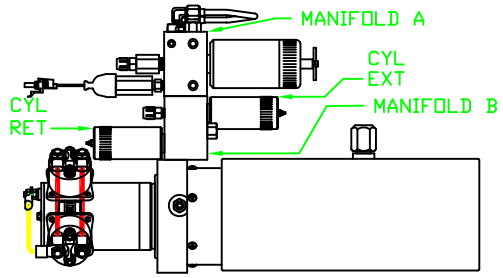


NOTE: HOSES C MUST BE HIGH PRESSURE HOSES OF EQUAL LENGTH AND DIAMETER

NOTE: HOSES D MUST BE EQUAL LENGTH AND DIAMETER

ORIENTATION

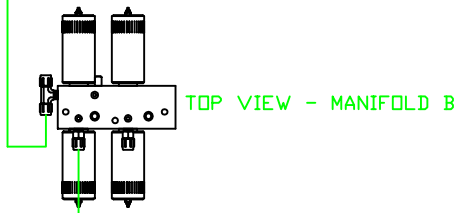
← FRONT



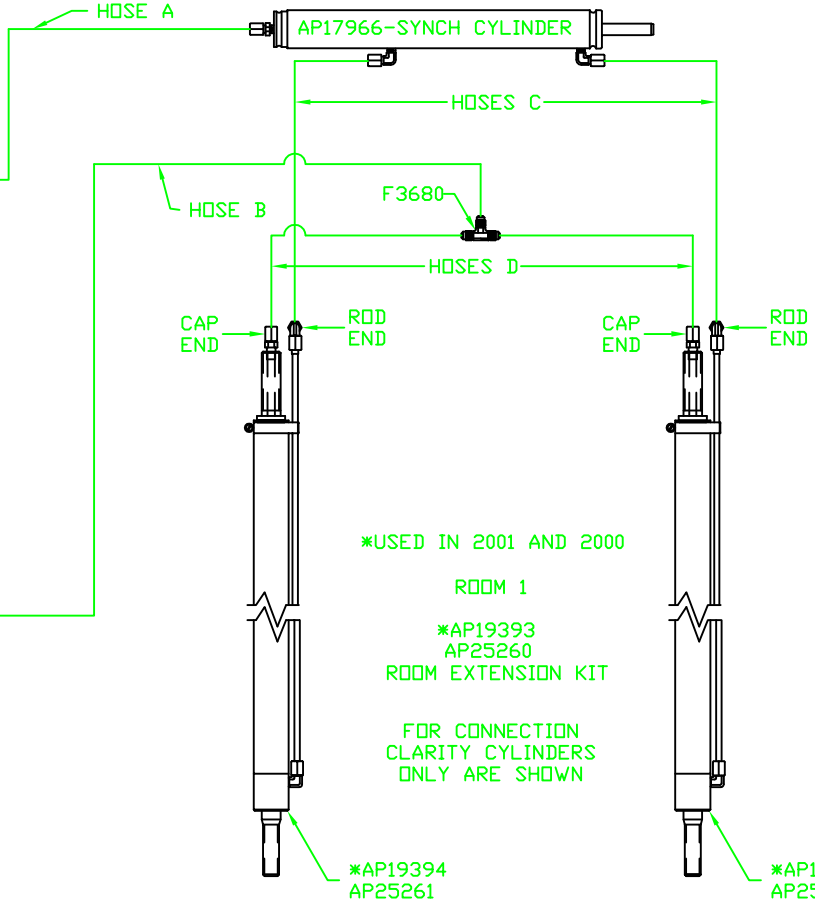
SIDE VIEW OF PUMP/MANIFOLD-AP24800
NOTE: SOME SYSTEMS USE AP19501

MODEL	HOSE A	HOSE B	HOSES C	HOSES D
G31Y	AP5965	AP7358	AP24642	AP5384
G33V	AP5965	AP7358	AP24642	AP5384
G35U	AP5965	AP7358	AP24642	AP5384
G37C	AP5965	AP7358	AP24642	AP5384
G38G	SEE MP69036 D			
G30Y	AP5965	AP7358	AP24642	AP5384
G32V	AP5965	AP7358	AP24642	AP5384
L34Y	SEE MP69036 B			
L35U	AP5965	AP7358	AP24642	AP5384
L36W	SEE MP69036 D			

THIS SHEET IS FOR 2003, 2002, 2001 AND 2000 PRODUCTION MODELS.



TOP VIEW - MANIFOLD B



NOTE: HOSES C MUST BE HIGH PRESSURE HOSES OF EQUAL LENGTH AND DIAMETER

NOTE: HOSES D MUST BE EQUAL LENGTH AND DIAMETER

*USED IN 2001 AND 2000
ROOM 1
*AP19393
AP25260
ROOM EXTENSION KIT

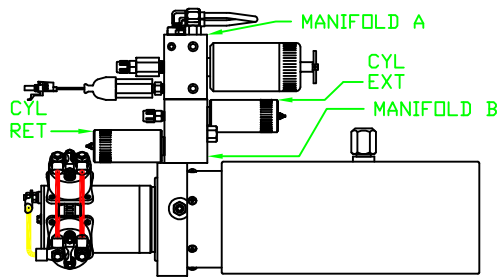
FOR CONNECTION CLARITY CYLINDERS ONLY ARE SHOWN

*AP19394
AP25261

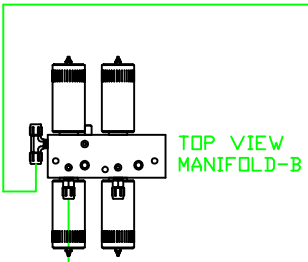
*AP19395
AP25262

ORIENTATION

← FRONT



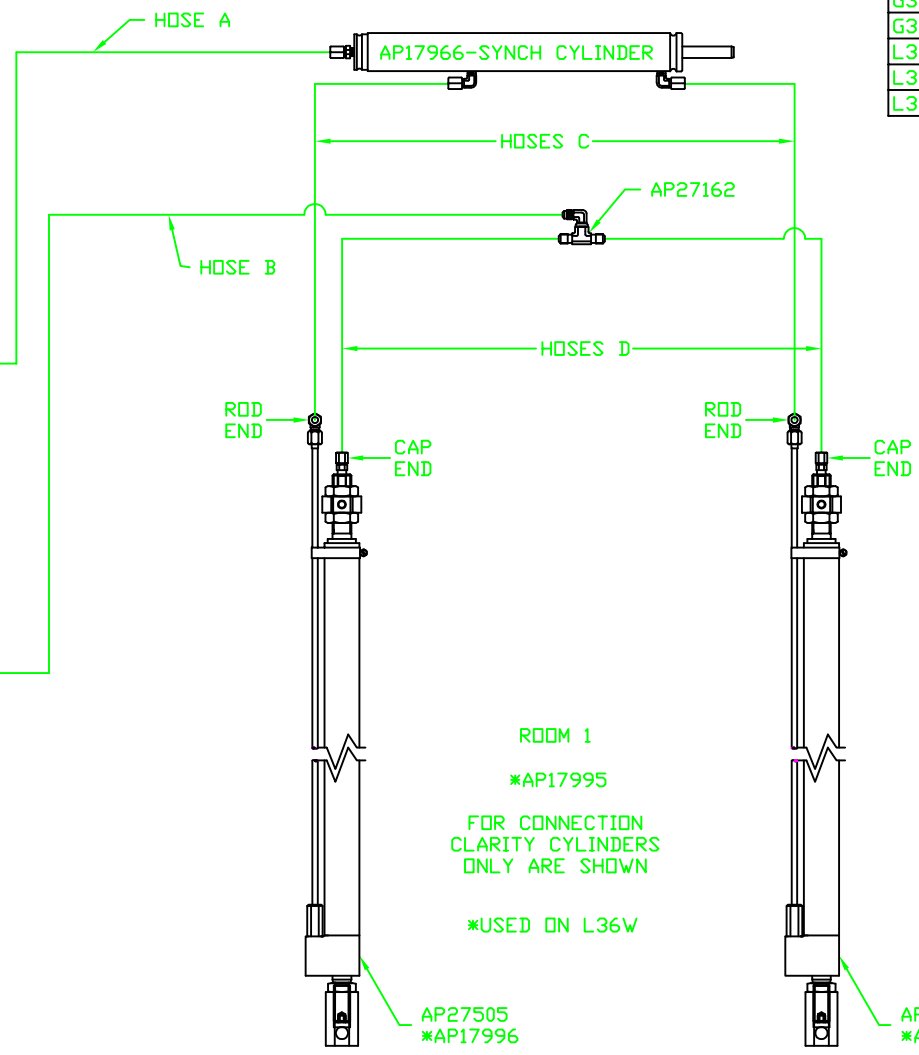
SIDE VIEW OF PUMP/MANIFOLD-AP24800
NOTE: SOME SYSTEMS USE AP19501



TOP VIEW
MANIFOLD-B

NOTE: HOSES C MUST BE HIGH PRESSURE HOSES OF EQUAL LENGTH AND DIAMETER

NOTE: HOSES D MUST BE EQUAL LENGTH AND DIAMETER



ROOM 1

*AP17995

FOR CONNECTION CLARITY CYLINDERS ONLY ARE SHOWN

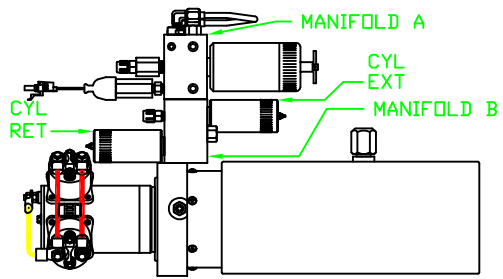
*USED ON L36W

AP27505
*AP17996

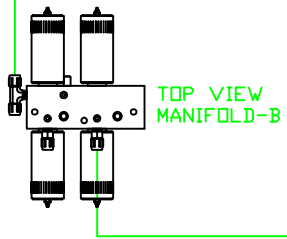
MODEL	HOSE A	HOSE B	HOSES C	HOSES D
G31Y	AP5965	AP7358	AP24642	AP5384
G33V	AP5965	AP7358	AP24642	AP5384
G35U	AP5965	AP7358	AP24642	AP5384
G37C	AP5965	AP7358	AP24642	AP5384
G38G	AP5965	AP7358	AP24642	AP5384
G30Y	SEE MP69036 B			
G32V	SEE MP69036 C			
L34Y	SEE MP69036 B			
L35U	SEE MP69036 B			
L36W	AP5965	AP7358	AP24642	AP5384

THIS SHEET IS FOR 2004, 2003, 2001, AND 2000 PRODUCTION MODELS.

ORIENTATION
 ← FRONT



SIDE VIEW OF PUMP/MANIFOLD-AP24800
 NOTE: SOME SYSTEMS USE AP19501



MODEL	HOSE A	HOSE B	ROOM 2 KIT	SINGLE CYL. EXT.
G31Y	AP6117	AP4669	AP23412	AP23209
G33V	AP6117	AP4669	AP23412	AP23209
G35U	AP6117	AP4669	AP19506	AP19079
G37C	AP6117	AP4669	AP23412	AP23209
G38G	AP6117	AP4669	AP23412	AP23209
G30Y	AP6117	AP4669	AP23412	AP23209
G32V	AP6117	AP4669	AP23412	AP23209
L34Y	AP6117	AP4669	AP16160	AP16692
L35U	AP6117	AP4669	AP19506	AP19079
L36W	AP6117	AP4669	AP16160	AP16692

